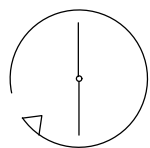
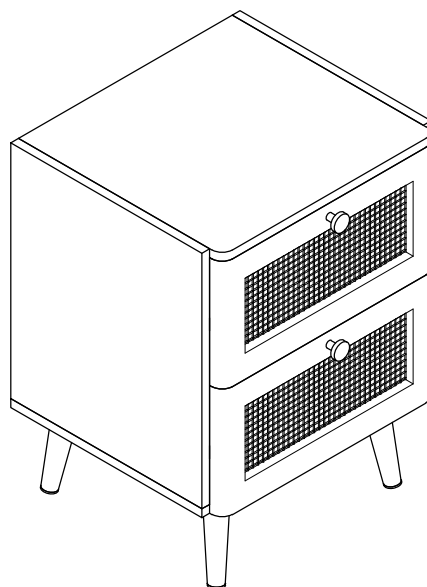


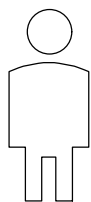
DUSK.COM
LIVING | BEDROOM | DINING

Range Name : Aurelia
Box dimensions : 58x47x20.5cm

Aurelia Curved Rattan Bedside



Up to 30 minutes
assembly time



One person
assembly

This product is intended for domestic use only, not for commercial purposes.

P-1-10

IMPORTANT

ASSEMBLY TIP

Before you begin, it's best to identify all of the parts and fittings to build your Aurelia Curved Rattan Bedside frame. We advise laying these out on the floor to check you have everything, and to familiarise yourself with all of the parts and fittings before building.

TOP TIP

We recommend that you assemble the Aurelia Curved Rattan Bedside in the room you'd like it to be located. This will help prevent any risk of damage to the frame whilst moving it.

SAFETY AND CARE

It's important to ensure children and animals are kept away from the assembly area, as there are small components used in this product which could present a choking hazard. All plastic and wrapping materials should also be kept away from children and animals to prevent any risk of suffocation.

HELP AND SUPPORT

Please contact our customer service team on 0113 519 0311 if you have any questions or issues with your purchase.

RECYCLING

Please ensure that packaging is disposed of in a safe and environmentally friendly way, and recycle where possible. Please keep your assembly instructions safe to refer back to in the future.

CARE AND MAINTENANCE:

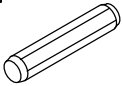
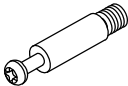
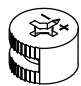
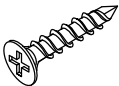

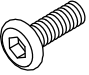

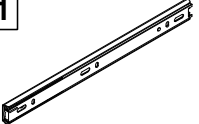
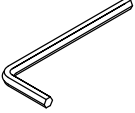
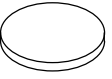
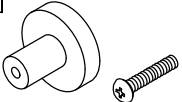

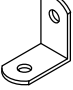

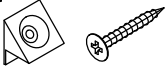
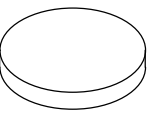
1. Only clean using a damp cloth, do not use bleach or abrasive cleaners as they may damage the finish over time.
2. Do not use a very wet cloth or allow any liquid to contact with the veneer for a long period of time. Wipe any spillage immediately. Absorption can cause wood to warp or finishes to de-laminate.
3. Do not scrub or rub the surface when cleaning.
4. Do not drag the Aurelia Curved Rattan Bedside when moving, lift it off the floor instead.
5. Use a placemat or a coaster when putting hot items (e.g. hot drinks and dishes) on the wood surface.
6. It is not recommended to place the item next to sources of heat such as radiators, fires or directly exposed to sunlight. This may cause the wood to crack, split or fade due to the heat and humidity.
7. Wood will mellow and change colour over time, we recommend that ornaments and items placed on the surface to be moved regularly to prevent uneven mellowing.
8. Regularly check all fixings to ensure none have come loose. Re-tighten if necessary.
9. Avoid sharp items such as a screwdriver or any pointy tools.
10. Dispose of all packaging carefully and responsibly - recycle where possible.

Before you begin building your Willow Bedside, please take a moment to read through the instructions and make sure that you have all the relevant parts listed on the parts check list.

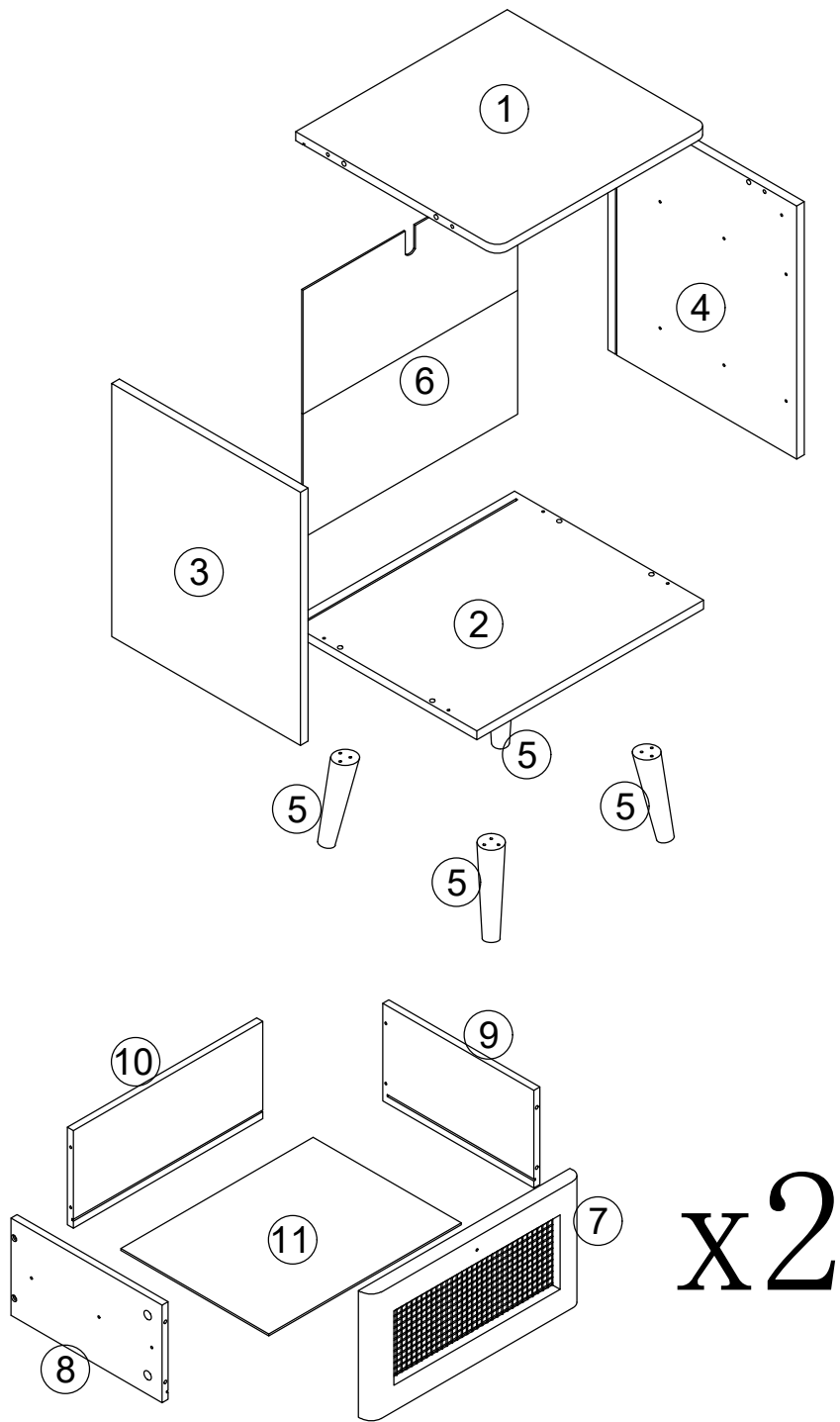
PART CHECK LIST					
NO.	Part List	QTY	NO.	Part List	QTY
1	Top	1pc	11	Drawer Bottom	2pcs
2	Bottom Panel	1pc			
3	Left Side Panel	1pc			
4	Right Side Panel	1pc			
5	Leg	4pcs			
6	Back Panel	1pc			
7	Drawer Front	2pcs			
8	Drawer Left Side	2pcs			
9	Drawer Right Side	2pcs			
10	Drawer Back Side	2pcs			

Fittings

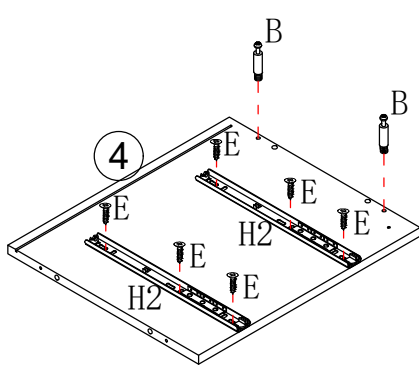
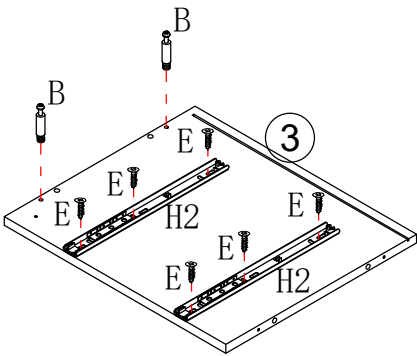
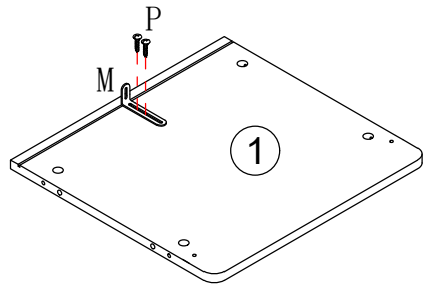
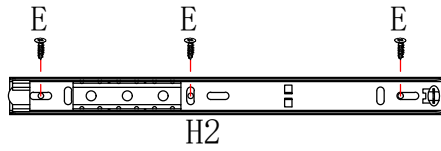
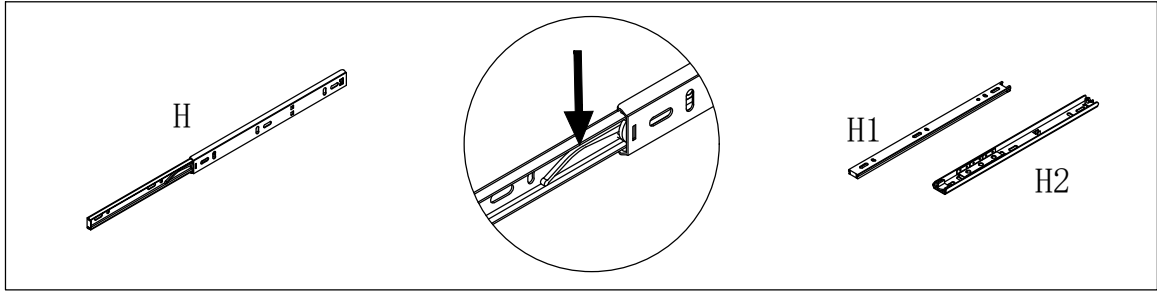
Please check you have all the fittings listed below with your product.

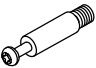

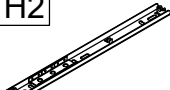


A  Ø8x30mm Dowel 8pcs+1pc extra	B  M6*35mm Bolt 12pcs+1pc extra	C  Ø15x9.5mm Cam Lock 12pcs+1pc extra	D  M4*35mm Screw 24pcs+3pcs extra	E  M3*12mm Screw 24pcs+3pcs extra
F  M6*12mm Screw 16pcs+2pcs extra	G  Foot Iron 4pcs	H  300mm Sliding Rail 4pcs	I  Ø4mm Allen Key 1pc	K  Hole Gasket 8pcs+1pc extra
L  Handle M4*22mm Screw 2sets	M  Anti-Tip Iron Sheet 1pc	N  Supporting Iron 2pcs	P  M4*12mm Screw 6pcs	R  Plastic buckle M3*16mm Screw 4pcs
S  Foot Gasket 4pcs				

Parts list

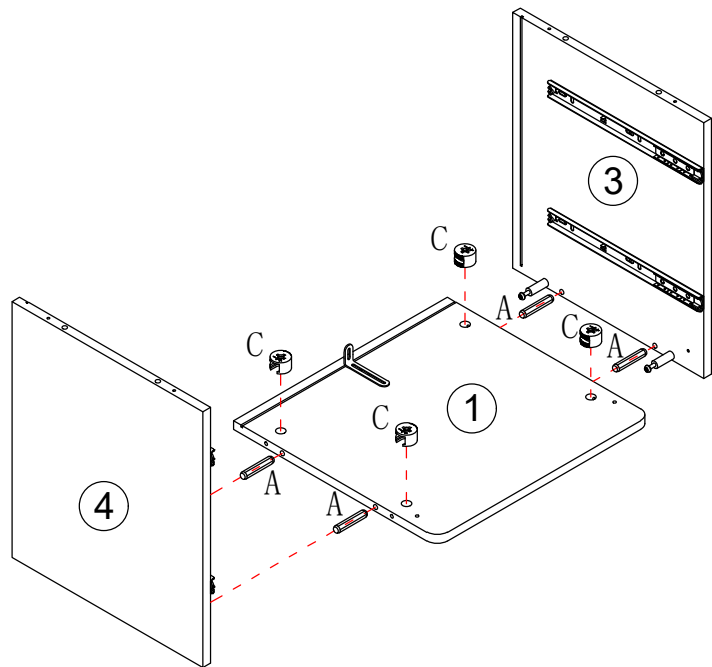


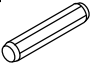

1



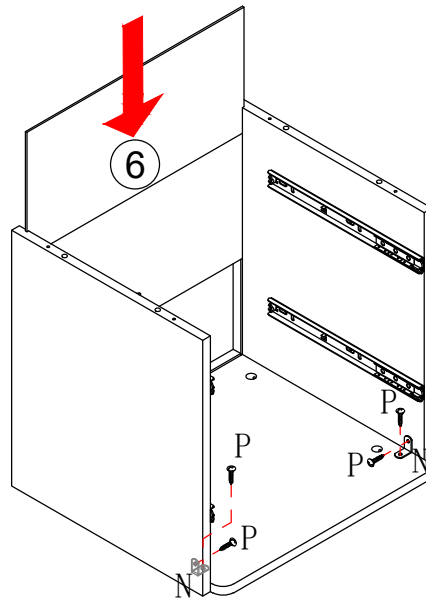
B	E	H2	M	P
				
M6*35mm Bolt 4pcs	M3*12mm Screw 12pcs	300mm Sliding Rail 4pcs	Anti-Tip Iron Sheet 1pc	M4*12mm Screw 2pcs



2



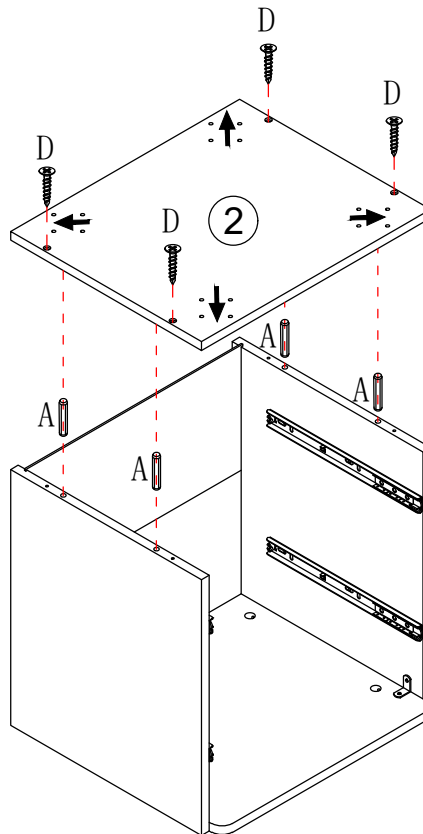
A	C
	
Ø8x30mm Dowel 4pcs	Ø15x9.5mm Cam Lock 8pcs

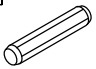

3



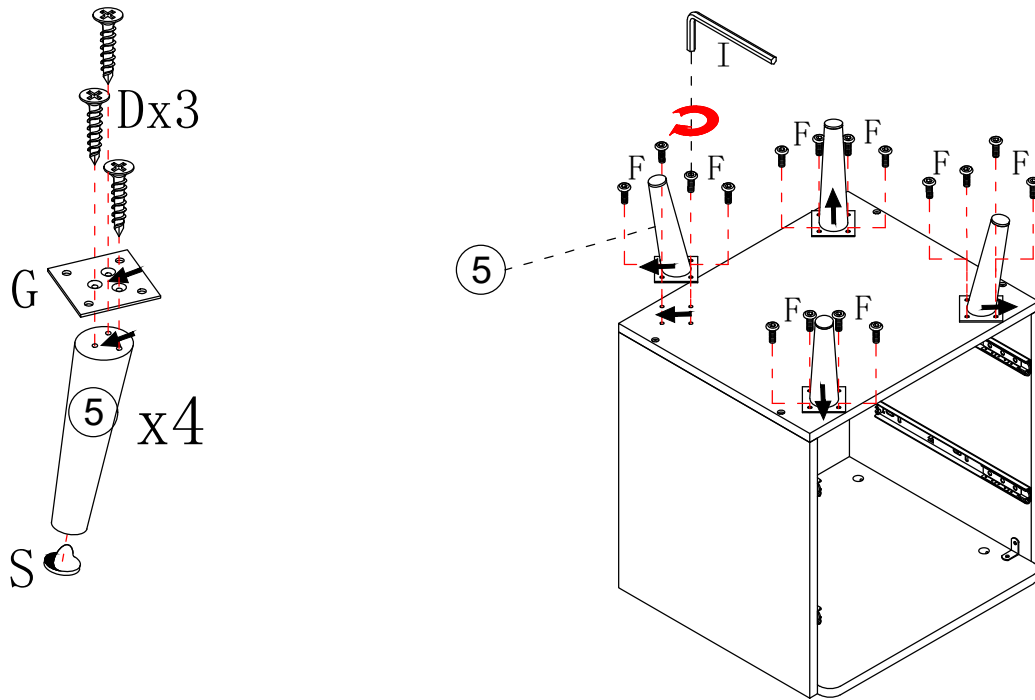
<p>N</p> 	<p>P</p> 
<p>Supporting Iron 2pcs</p>	<p>M4*12mm Screw 4pcs</p>

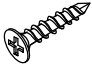

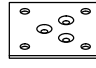
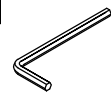
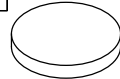
4



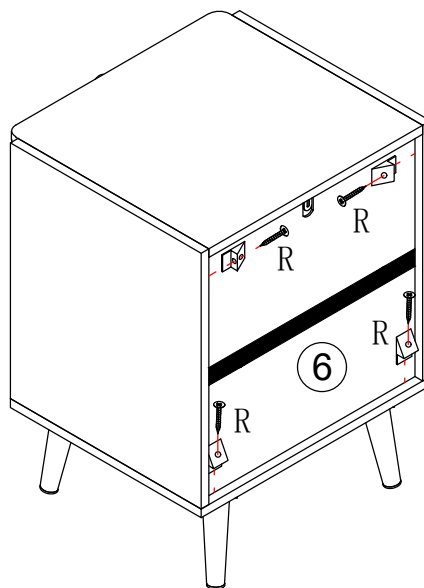
<p>A</p> 	<p>D</p> 
<p>Ø8x30mm Dowel 4pcs</p>	<p>M4*35mm Screw 4pcs</p>


5



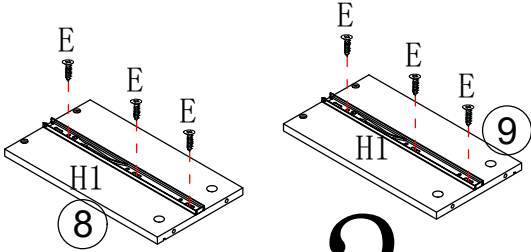
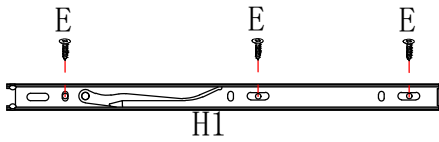
D		F		G		I		S	
	M4*35mm Screw		M6*12mm Screw		Foot Iron		Ø4mm Allen Key		Foot Gasket
	12pcs		16pcs		4pcs		1pc		4pcs

6

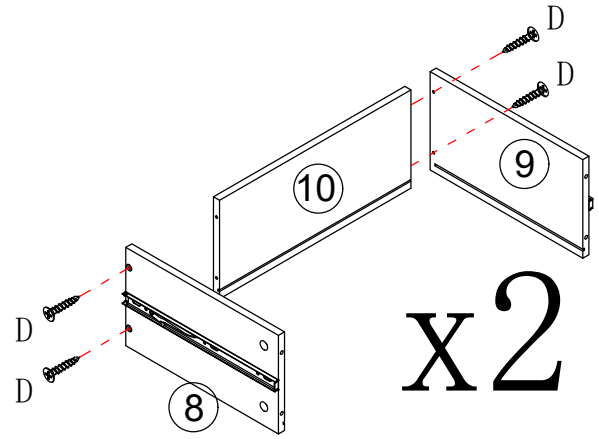


R	
	Plastic buckle M3*16mm Screw
	4pcs

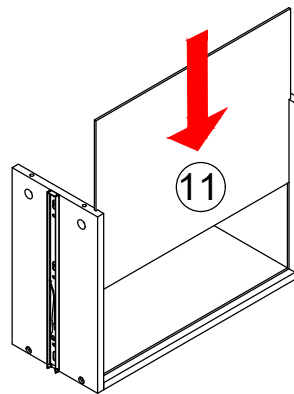
7



x2



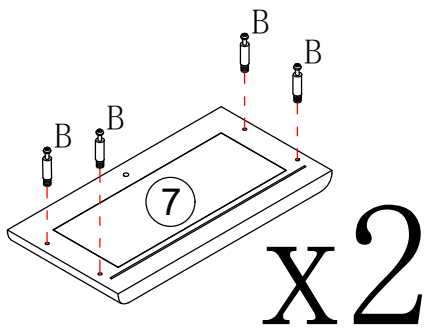
x2



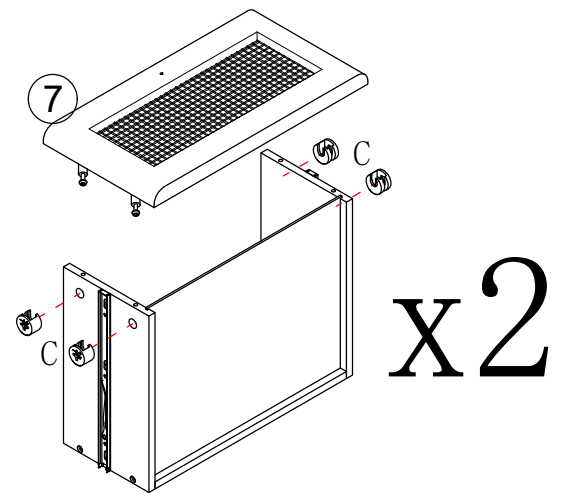
x2

D	E	H1
M4*35mm Screw 8pcs	M3*12mm Screw 12pcs	300mm Sliding Rail 4pcs

8

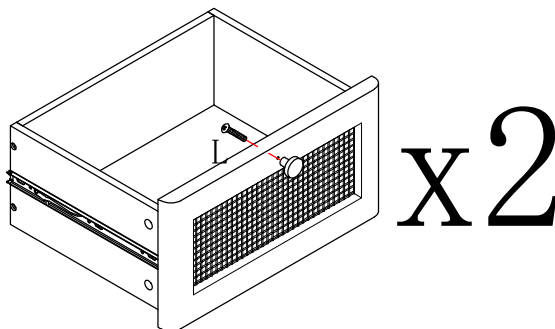


x2

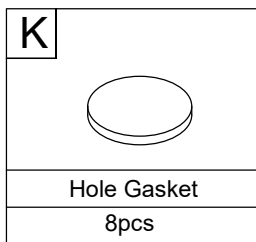
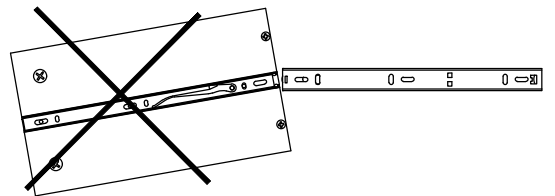
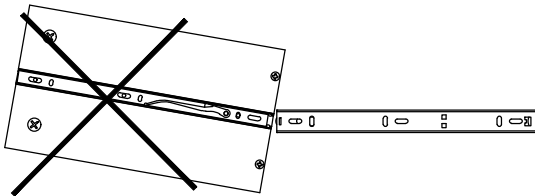
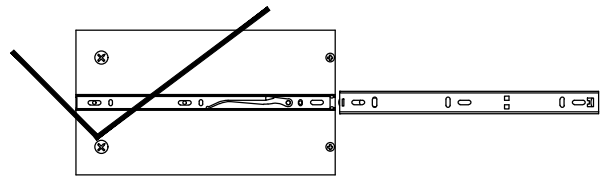
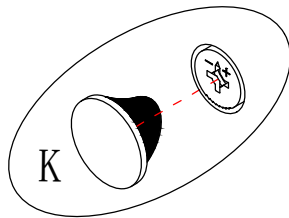
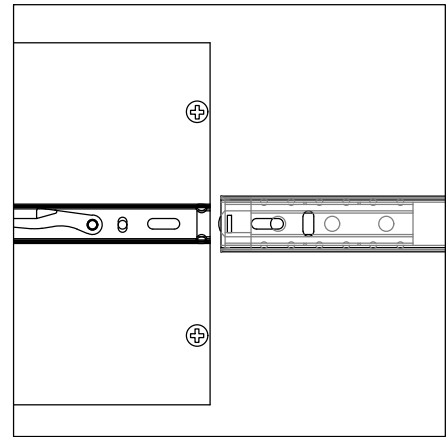
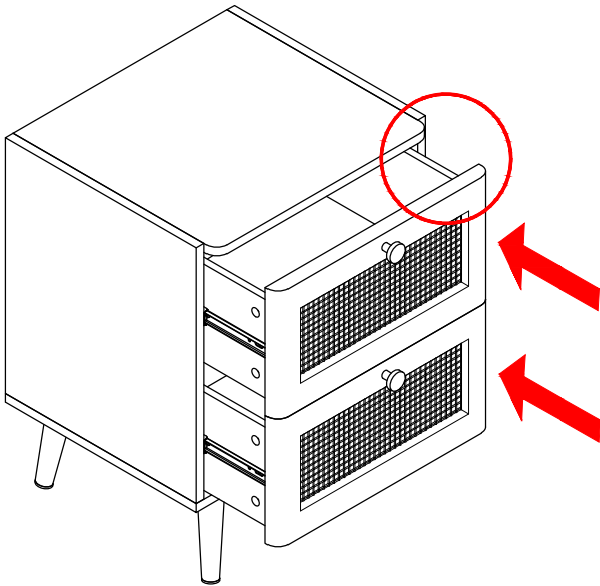
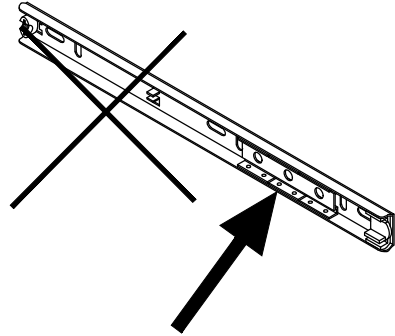
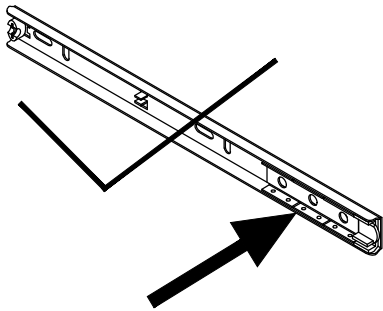


x2

B		
M6*35mm Bolt 8pcs		
C	L	
Ø15x9.5mm Cam Lock 8pcs	Handle M4*22mm Screw 2sets	



x2



WARNING: Please make the choice of screws according to your own wall for wall locking. In order to prevent overturning this product must be used with the wall attachment device provided.

