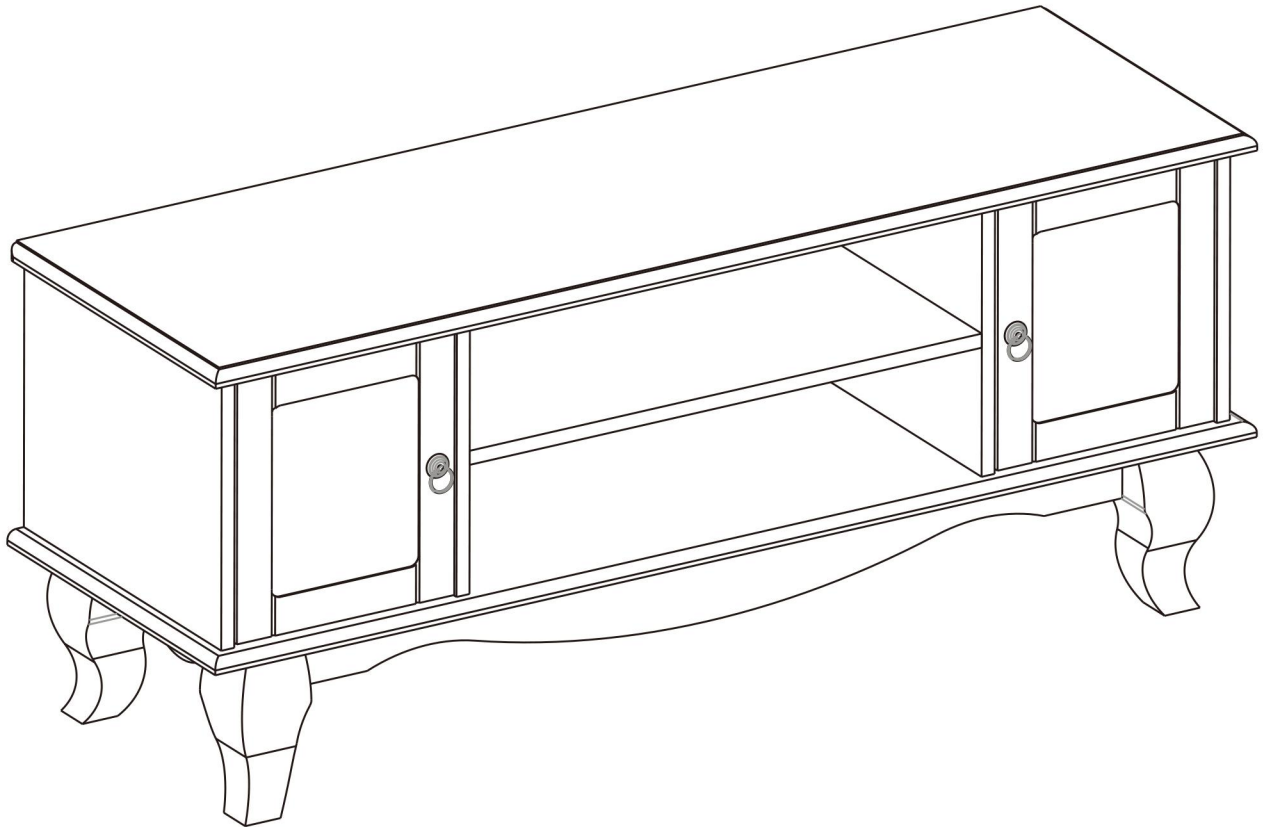
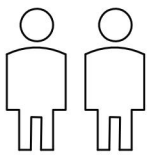


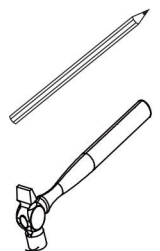
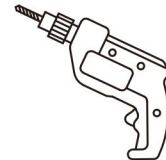
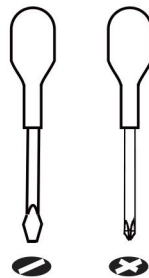
Amelie TV Stand



Up to 2 hours
assembly time



Two person
assembly



IMPORTANT

ASSEMBLY TIP

Before you begin , it's best to identify all of the parts and fittings to build your cabinet. We advise laying these out on the clean and flat floor to check you have everything , and to familiarise yourself with all of the parts and fittings before building.

TOP TIP

We recommend that you assemble the cabinet in the room you'd like it to be located . This will help prevent any risk of damage to the cabinet whilst moving it .

SAFETY AND CARE

1. Do not stand on your product. Pregnant women should take additional care when using this product. Do not leave the child unattended. Children should always be under direct adult supervision whilst using this product. Always use on firm level ground, ensuring all legs remain in contact with the ground.
2. It's important to ensure children and animals are kept away from the assembly area, as there are small components used in this product which could present a choking hazard. All plastic and wrapping materials should also be kept away from children and animals to prevent any risk of suffocation.

HELP AND SUPPORT

Please contact our customer service team on 0113 519 0311 if you have any questions or issues with your purchase.

RECYCLING

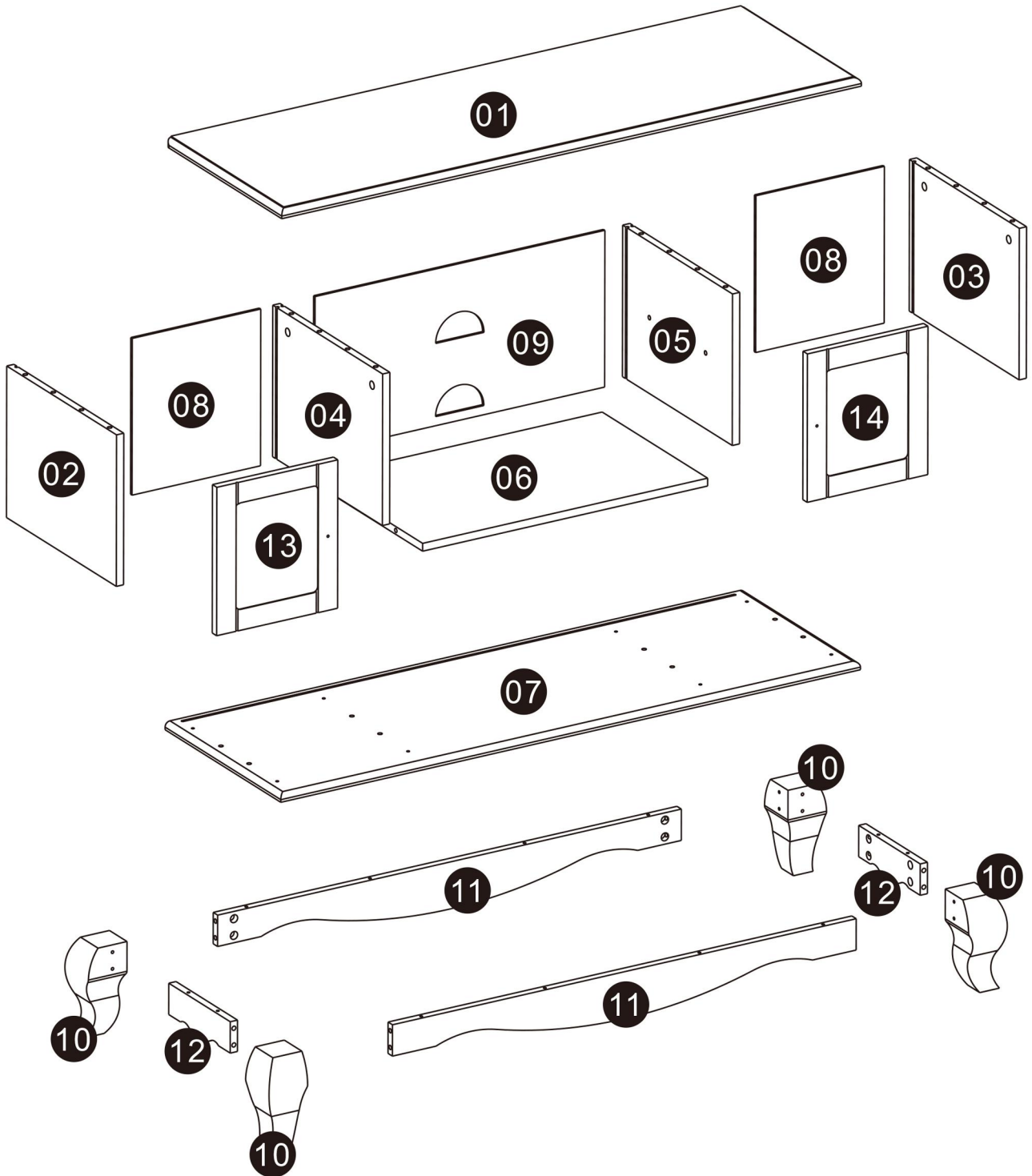
Please ensure that packaging is disposed of in a safe and environmentally friendly way, and recycle where possible. Please keep your assembly instructions safe to refer back to in the future.

CARE AND MAINTENANCE:

1. Only use clean , colourless sponge or cloth to avoid any colour transfer or smearing , do not use bleach or abrasive cleaners as they may damage the chest top over time.
2. Do not use a very wet cloth or allow any liquid to contact with the chest for a long period of time . Wipe any spillage immediately.
3. Do not scrub or rub the surface when cleaning.
4. Do not drag the chest when moving , lift it off the floor instead.
5. Use a placemat or a coaster when putting hot items (e . g . hot drinks and dishes) on the chest surface.
6. It is not recommended to place the item next to sources of heat such as radiators , fires or directly exposed to sunlight.
7. Regularly check all fixings to ensure none have come loose . Re - tighten if necessary.
8. Avoid sharp items such as a screwdriver or any pointy tools.
9. Dispose of all packaging carefully and responsibly - recycle where possible.
10. Due to the delicate nature of this product , please gently place hard items onto the chest top to avoid damaging the surface.

Parts

Before you begin building your bed frame, please take a moment to read through the instructions and make sure that you have all the relevant parts listed on parts check list.



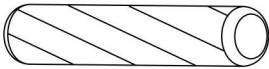
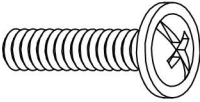
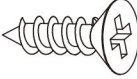
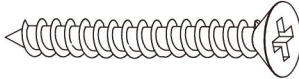

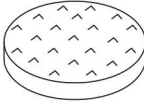

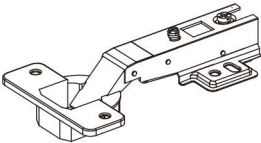


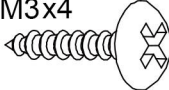


Parts Check List


No.	Part List	Qty	No.	Part List	Qty
1	Top Panel	1	8	Right & Left Back Panel	2
2	Left Side Panel	1	9	Middle Back Panel	1
3	Right Side Panel	1	10	Legs	4
4	Left Divide Panel	1	11	Long Plinths	2
5	Right Divide Panel	1	12	Short Plinths	2
6	Shelf	1	13	Left Door	1
7	Bottom Panel	1	14	Right Door	1

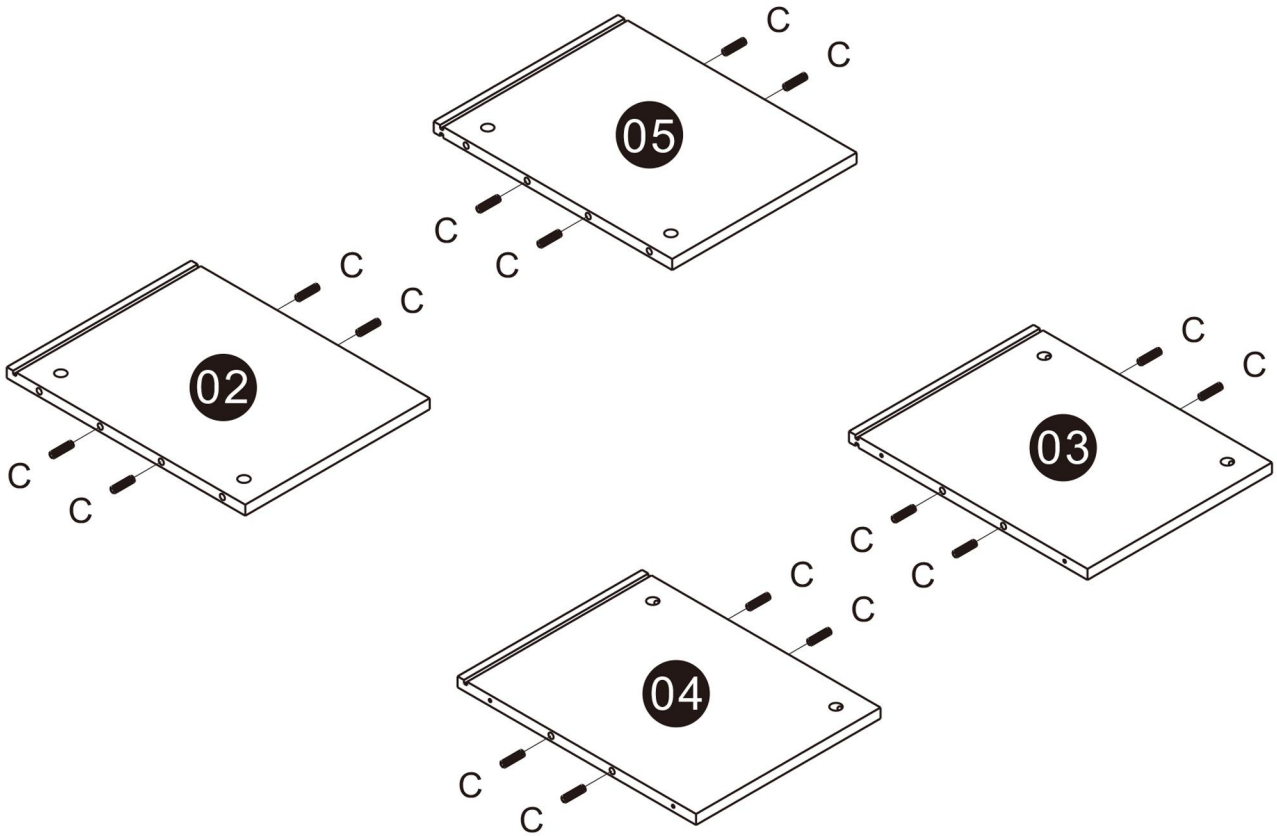
Fittings

Please check you have all the fitting listed below with you product.


<p>A x24 + 1 extra</p>  <p>Cam Bolt (Ø4x40mm)</p>	<p>B x24 + 1 extra</p>  <p>Cam Lock</p>	<p>C x24 + 1 extra</p>  <p>Dowel (Ø8x30mm)</p>
<p>D x2</p>  <p>Handle Bolt (M4x20mm)</p>	<p>E x24 + 1 extra</p>  <p>Screw (Ø4x14mm)</p>	<p>F x12 + 1 extra</p>  <p>Screw (Ø4x45mm)</p>
<p>G x 8 + 1 extra</p>  <p>Screw (Ø4x35mm)</p>	<p>H x4</p>  <p>Flet Pads Ø30mm</p>	<p>J x2</p>  <p>Knob</p>
<p>K x4</p>  <p>Hinge</p>	<p>M x2</p> <div style="display: flex; justify-content: space-around; align-items: center;"> <div data-bbox="703 972 890 1061"> <p>M1x1</p>  </div> <div data-bbox="979 972 1155 1061"> <p>M2x1</p>  </div> <div data-bbox="1238 972 1410 1061"> <p>M3x4</p>  </div> </div> <p>Screw (Ø2.5x12mm)</p>	


Step 1 Attach Dowels.

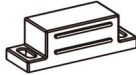
C  16 pcs

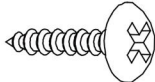


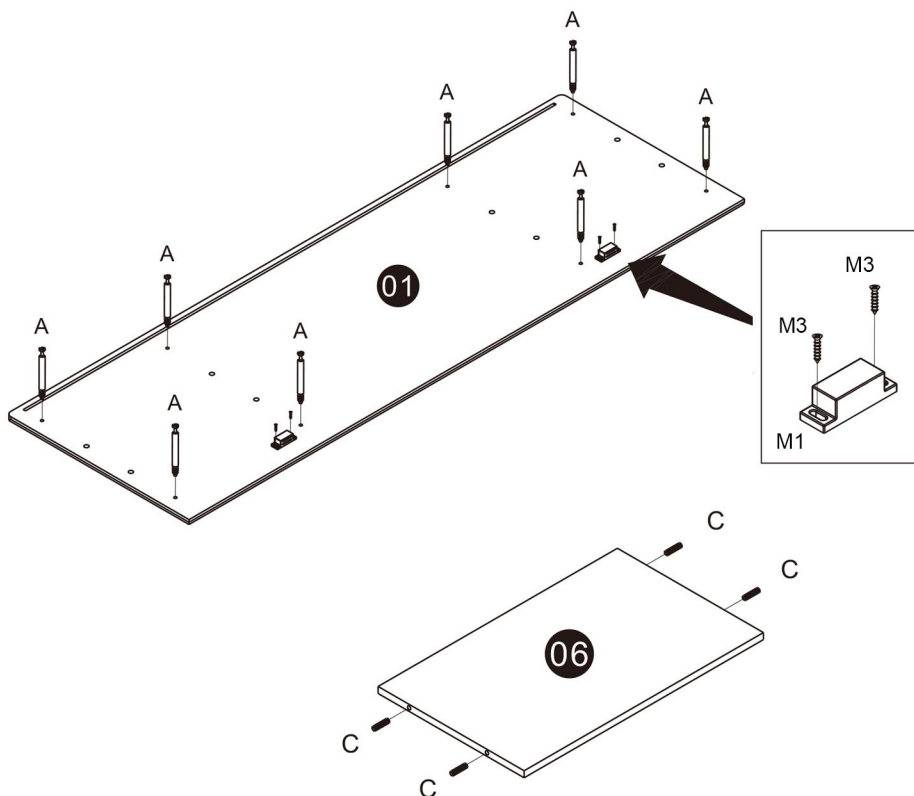
Step 2 Attach CAM Bolts and Dowels.

A  8 pcs

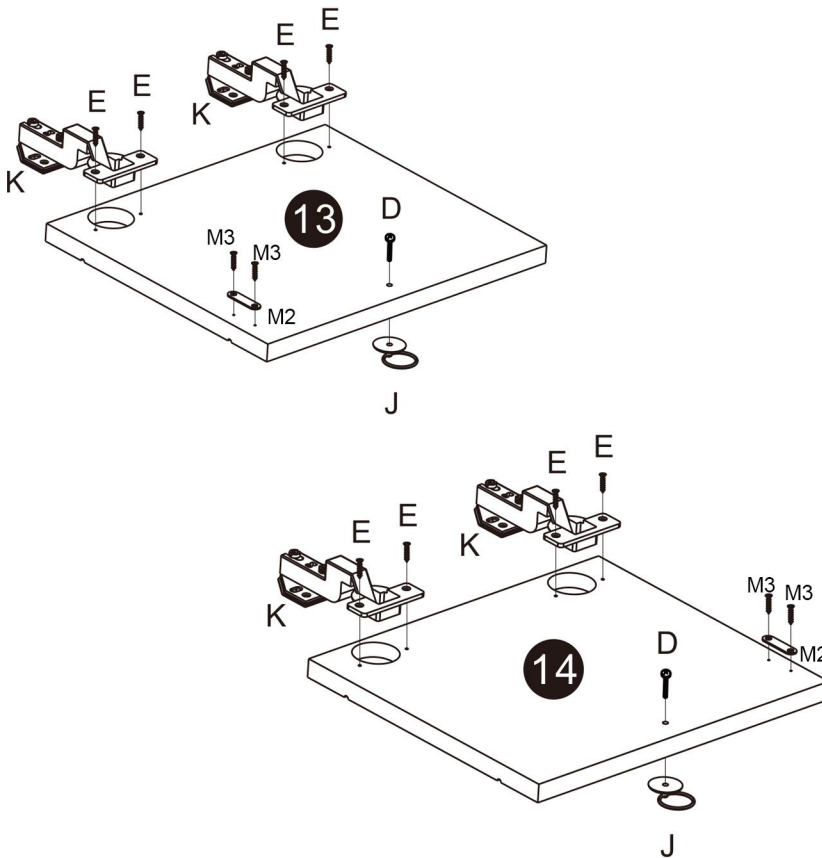
C  4 pcs

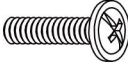

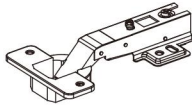


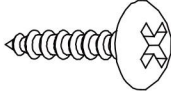
M1  2 pcs

M3  4 pcs

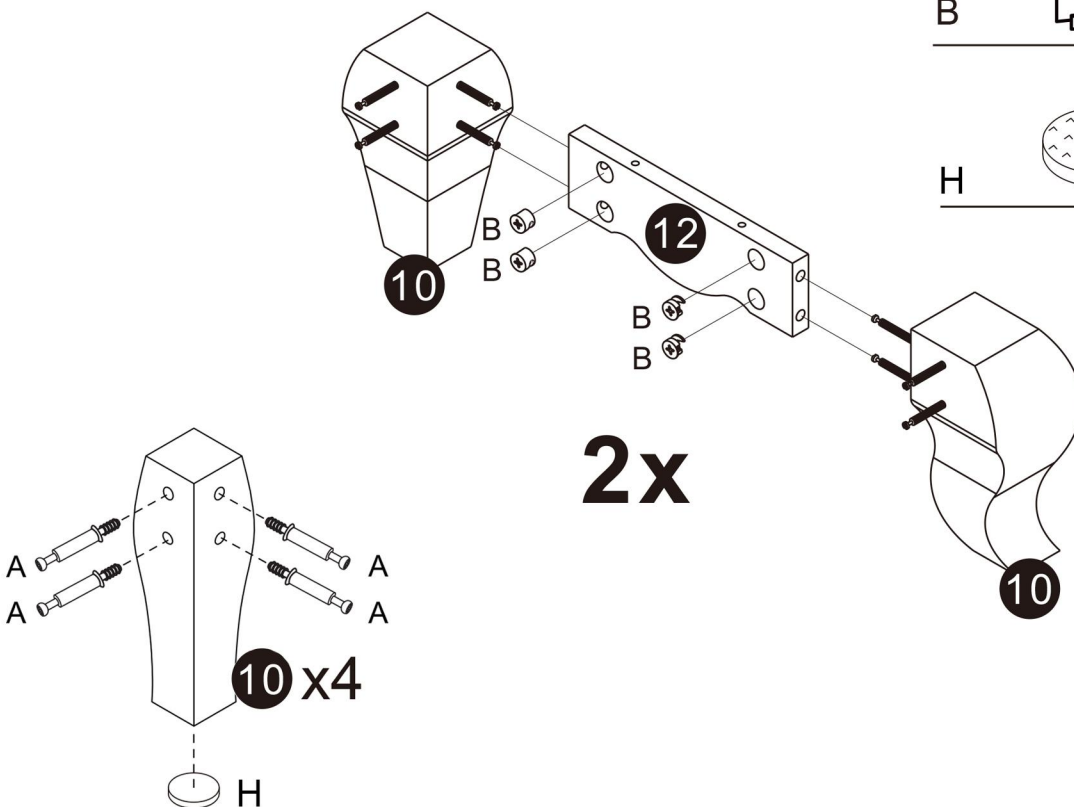





Step 3 Attach Hinges and Knobs to Doors.



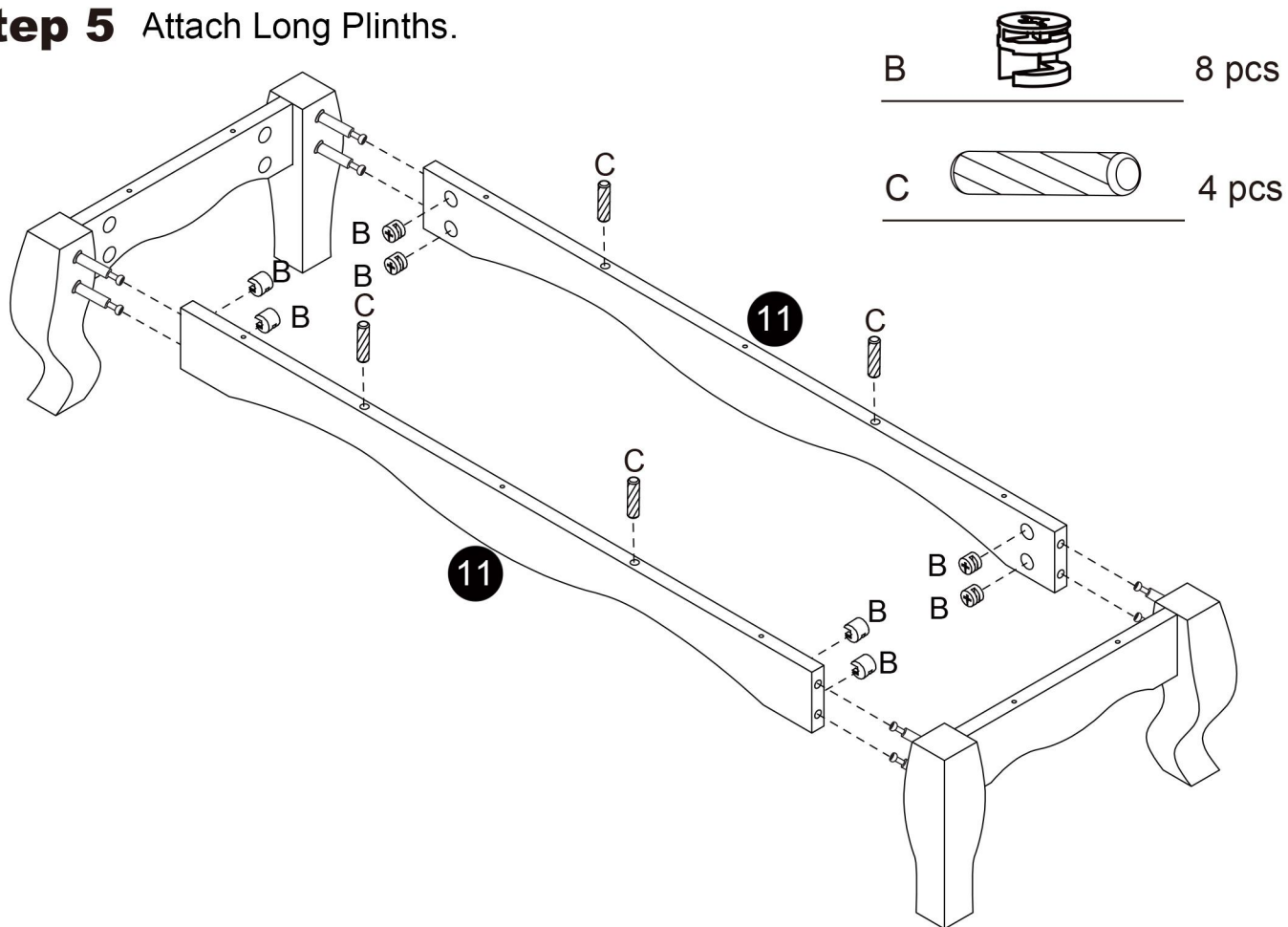
D		2 pcs
E		8 pcs
K		4 pcs
J		2 pcs
M2		2 pcs
M3		4 pcs

Step 4 Attach CAM Bolt and Flet Pads to Legs. Connect Two Legs and Short Plinths together.

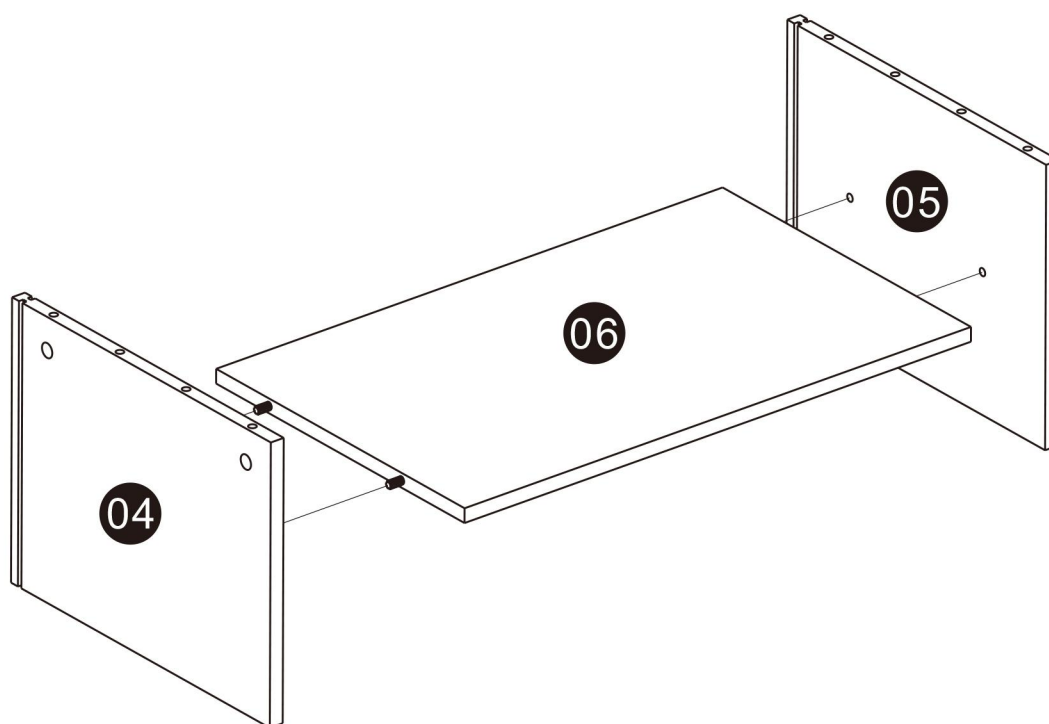


A		16 pcs
B		8 pcs
H		4 pcs


Step 5 Attach Long Plinths.

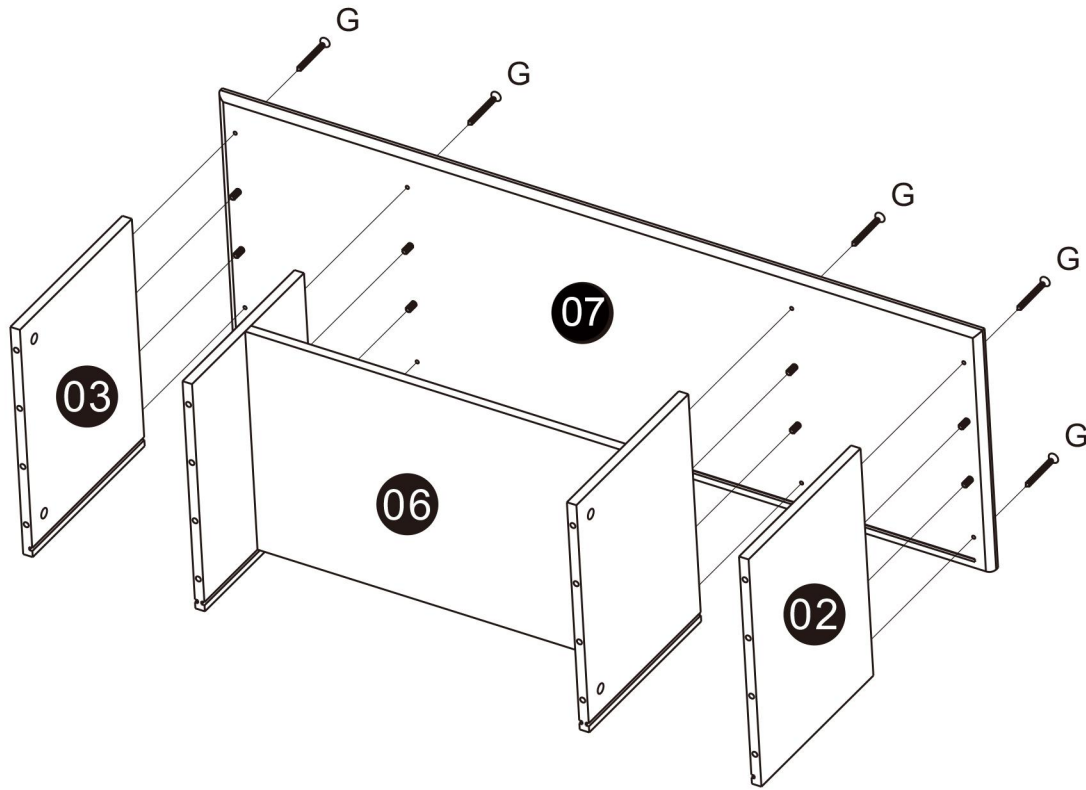


Step 6 Connect Divide Panels and Shelf together.

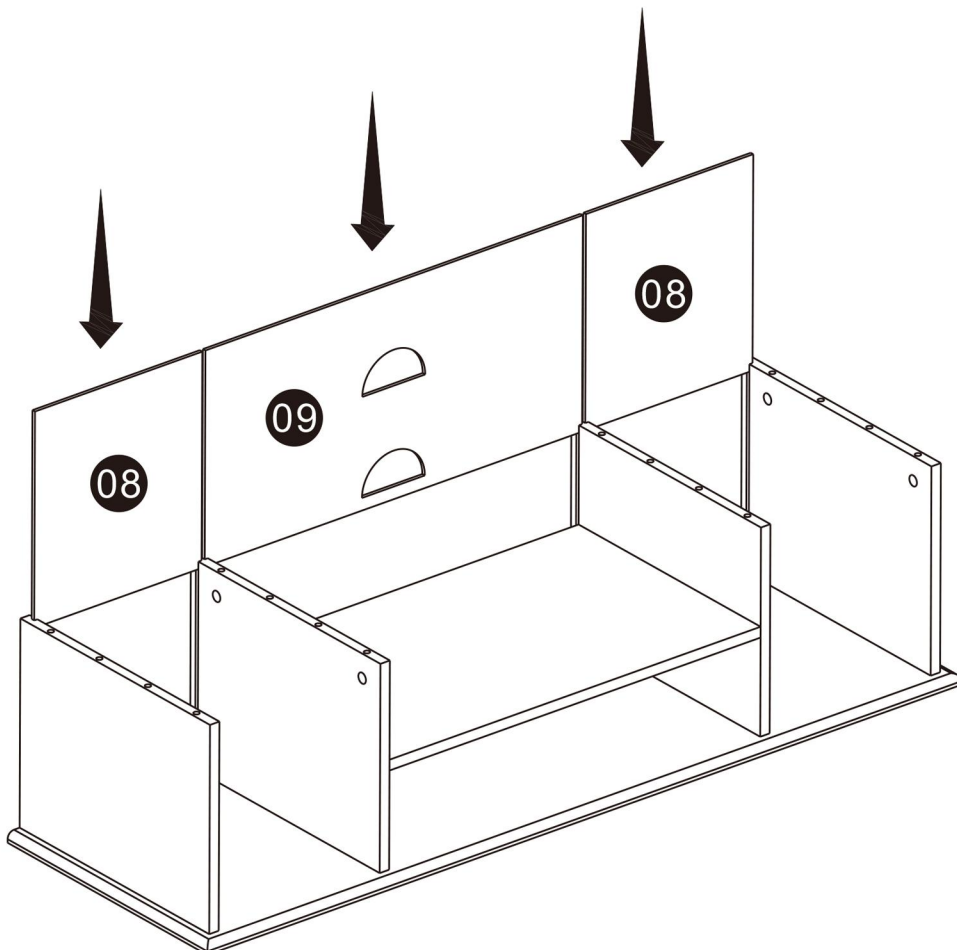


Step 7 Attach Bottom Panel to Side Panels.

G  8 pcs

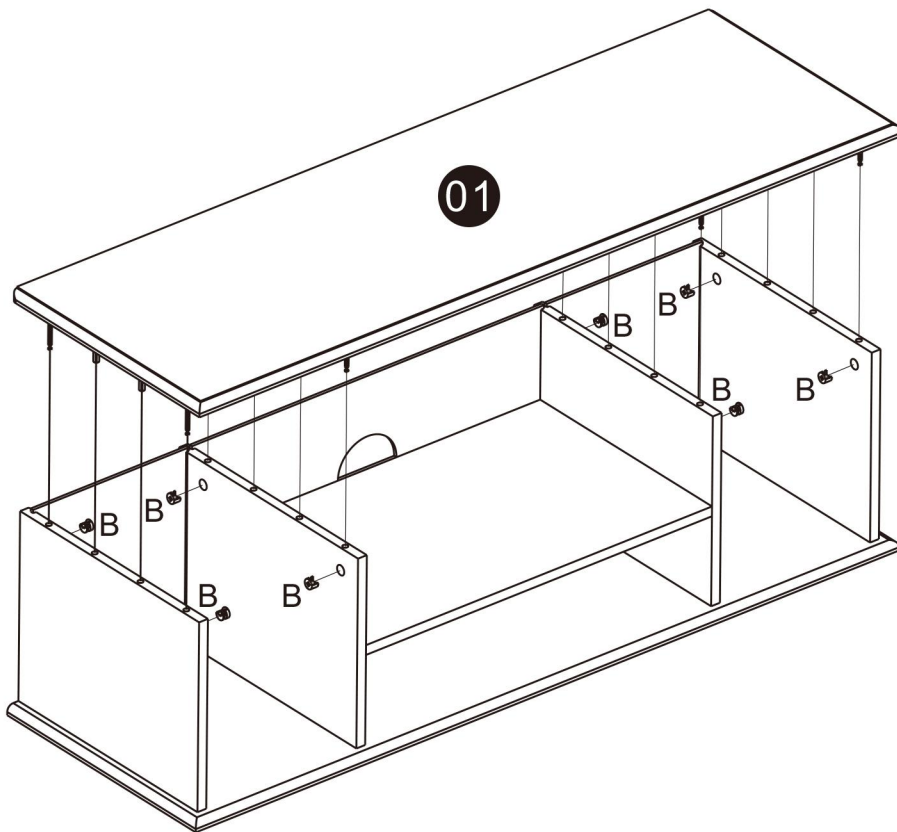


Step 8 Insert Back Panels.




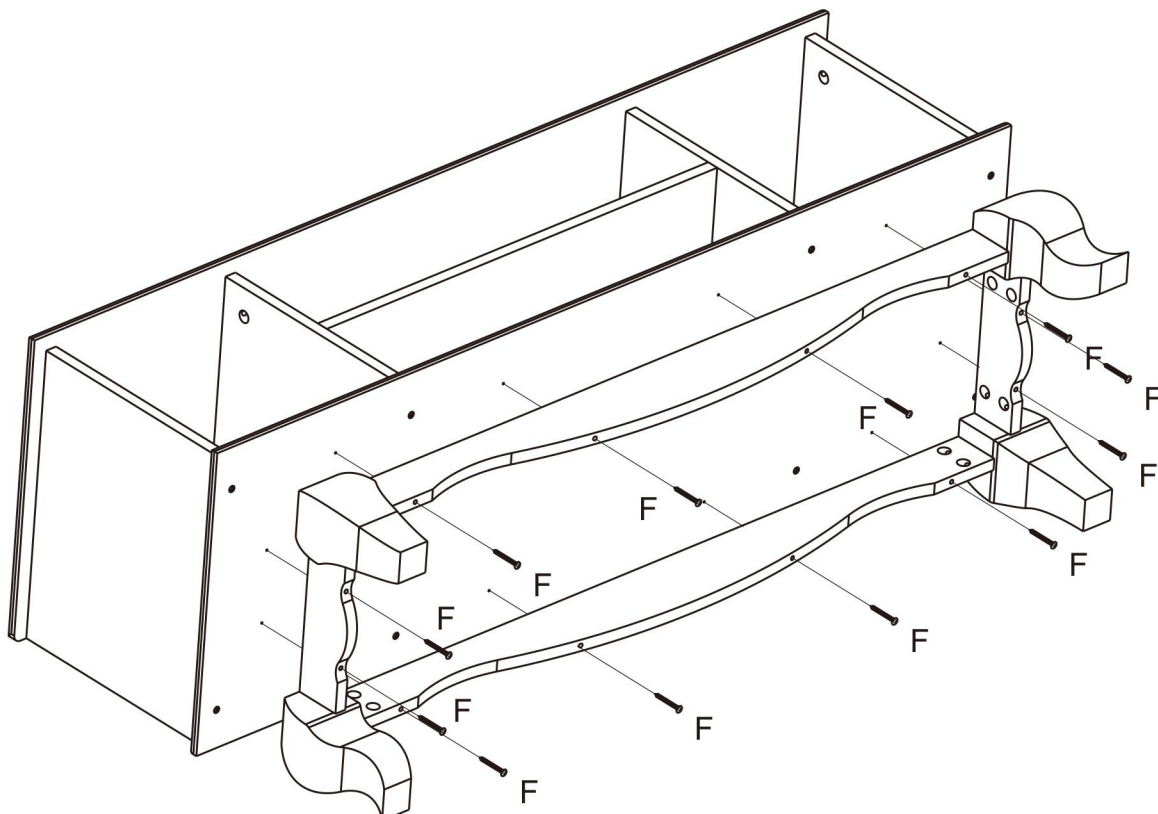
Step 9 Attach the Top Panel.

B  8 pcs

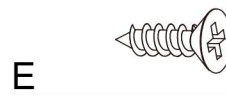


Step 10 Attach the Base to the Cabinet.

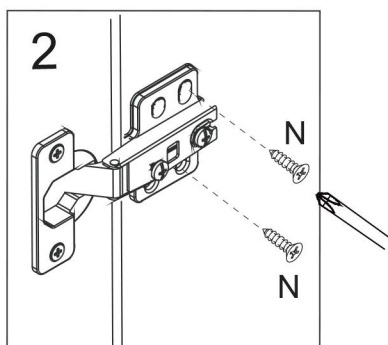
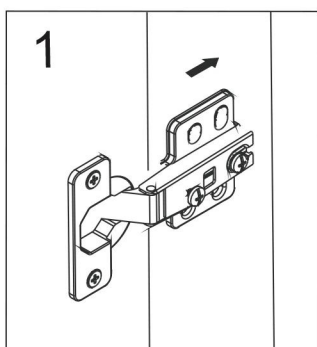
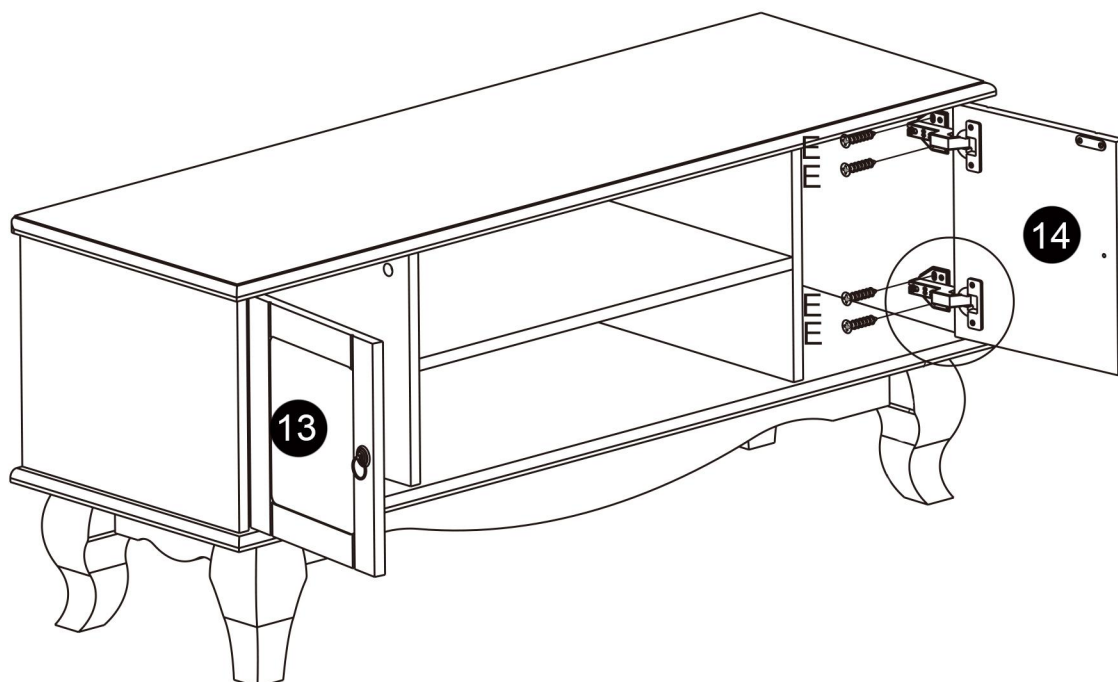
F  12 pcs



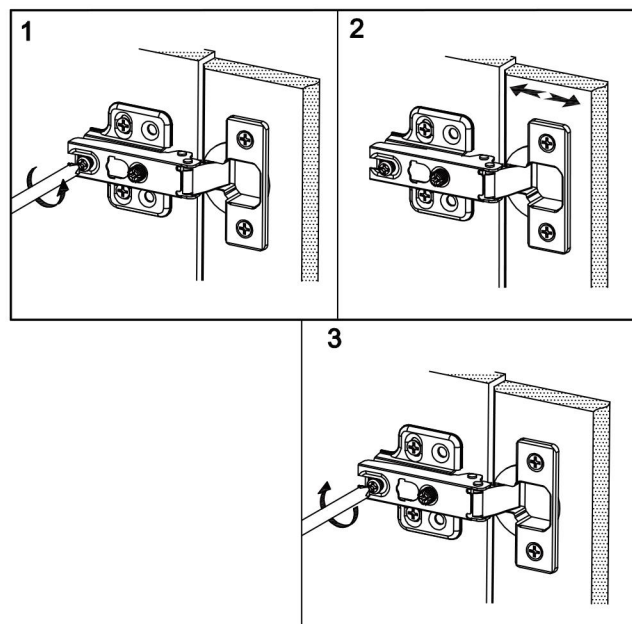
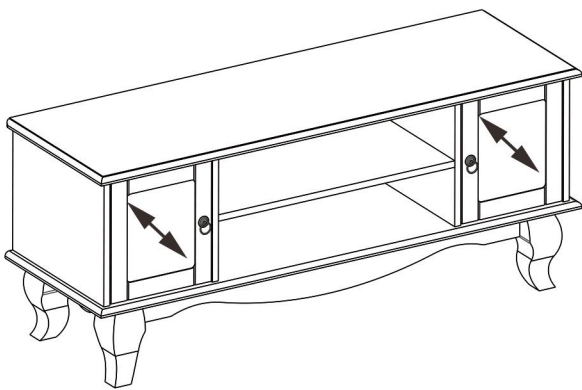
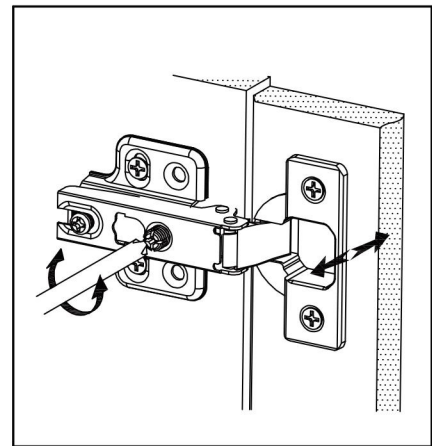
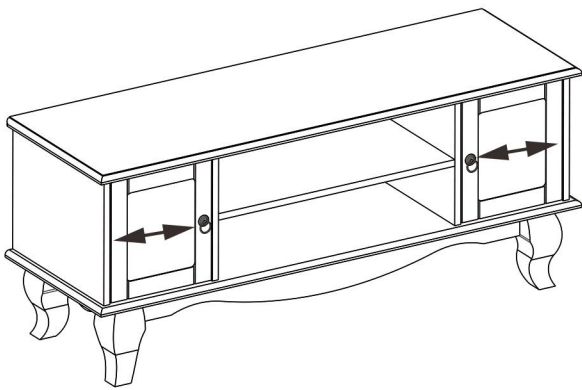
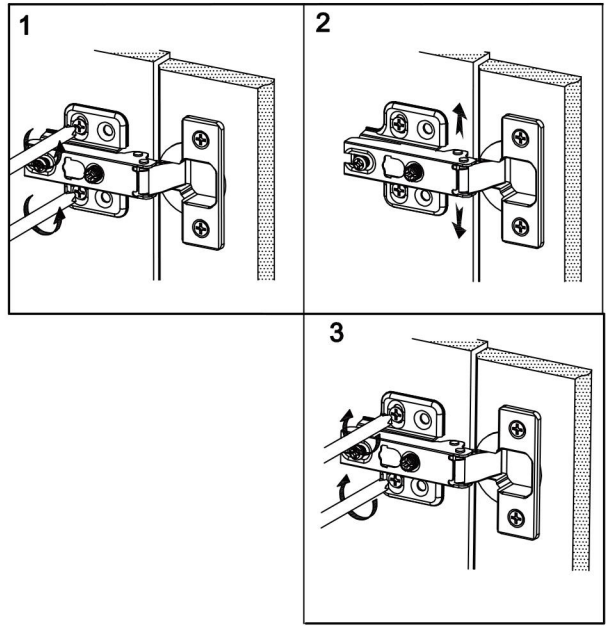
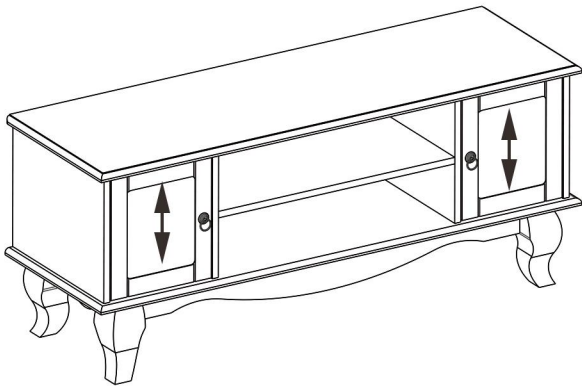
Step 11 Attach Doors to the Cabinet.



8 pcs



Step 12 Adjust Hinges.



Step 13

Tighten the other screws.



8 pcs

Once flaps have been adjusted vertically. Fit screws (E) to fix plates (K) in their final position.

