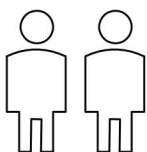


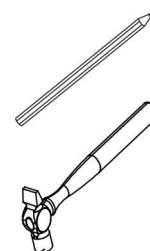
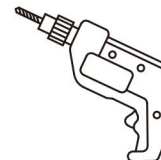
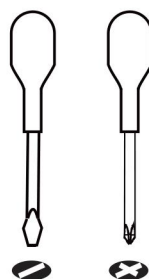
## Amelie Small Sideboard



Up to 2 hours  
assembly time



Two person  
assembly



## **IMPORTANT**

### **ASSEMBLY TIP**

Before you begin , it's best to identify all of the parts and fittings to build your cabinet. We advise laying these out on the clean and flat floor to check you have everything , and to familiarise yourself with all of the parts and fittings before building.

### **TOP TIP**

We recommend that you assemble the cabinet in the room you'd like it to be located . This will help prevent any risk of damage to the cabinet whilst moving it .

### **SAFETY AND CARE**

1. Do not stand on your product. Pregnant women should take additional care when using this product. Do not leave the child unattended. Children should always be under direct adult supervision whilst using this product. Always use on firm level ground, ensuring all legs remain in contact with the ground.
2. It's important to ensure children and animals are kept away from the assembly area, as there are small components used in this product which could present a choking hazard. All plastic and wrapping materials should also be kept away from children and animals to prevent any risk of suffocation.

### **HELP AND SUPPORT**

Please contact our customer service team on 0113 519 0311 if you have any questions or issues with your purchase.

### **RECYCLING**

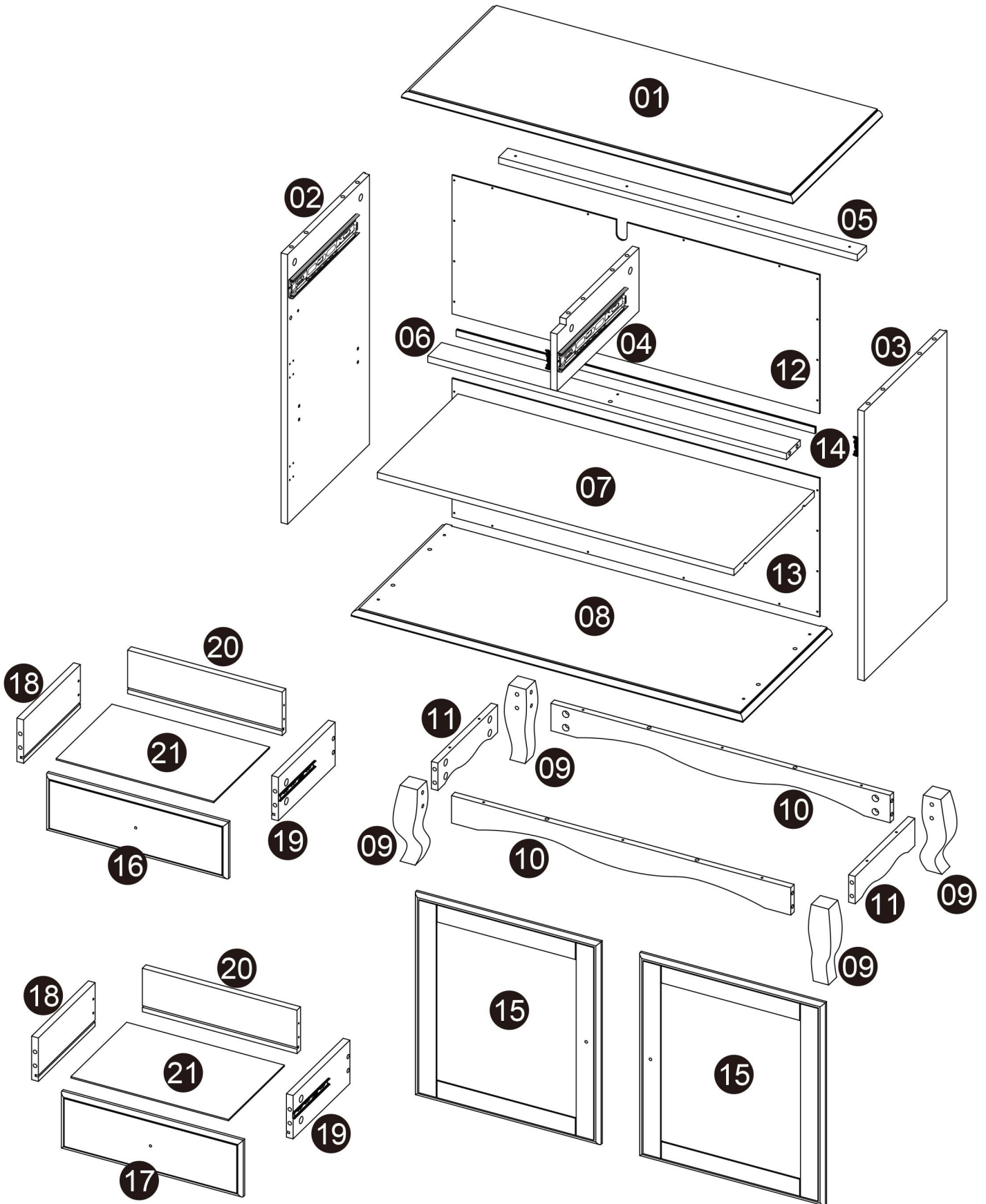
Please ensure that packaging is disposed of in a safe and environmentally friendly way, and recycle where possible. Please keep your assembly instructions safe to refer back to in the future.

### **CARE AND MAINTENANCE:**

1. Only use clean , colourless sponge or cloth to avoid any colour transfer or smearing , do not use bleach or abrasive cleaners as they may damage the chest top over time.
2. Do not use a very wet cloth or allow any liquid to contact with the chest for a long period of time . Wipe any spillage immediately.
3. Do not scrub or rub the surface when cleaning.
4. Do not drag the chest when moving , lift it off the floor instead.
5. Use a placemat or a coaster when putting hot items ( e . g . hot drinks and dishes ) on the chest surface.
6. It is not recommended to place the item next to sources of heat such as radiators , fires or directly exposed to sunlight.
7. Regularly check all fixings to ensure none have come loose . Re - tighten if necessary.
8. Avoid sharp items such as a screwdriver or any pointy tools.
9. Dispose of all packaging carefully and responsibly - recycle where possible.
10. Due to the delicate nature of this product , please gently place hard items onto the chest top to avoid damaging the surface.

# Parts

Before you begin building your bed frame, please take a moment to read through the instructions and make sure that you have all the relevant parts listed on parts check list.



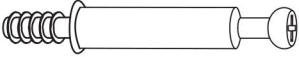

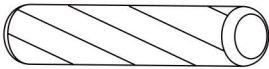
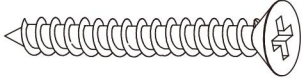

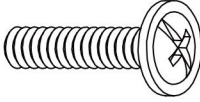
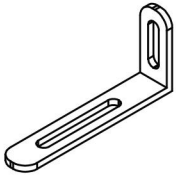
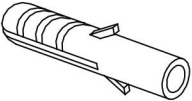

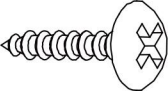
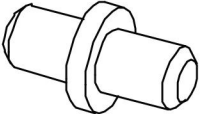
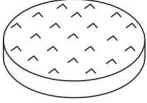
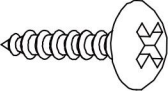
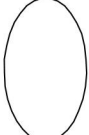
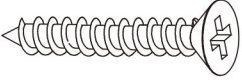
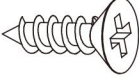

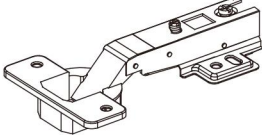
# Parts Check List

No.	Part List	Qty	No.	Part List	Qty
1	Top Panel	1	12	Upper Back Panel	1
2	Left Side Panel	1	13	Lower Back Panel	1
3	Right Side Panel	1	14	'H' Shape Bar	1
4	Divide Panel	1	15	Doors	2
5	Top Cross Rail	1	16	Drawer Left Front Panel	1
6	Middle Cross Rail	1	17	Drawer Right Front Panel	1
7	Removable Shelf	1	18	Drawer Left Side Panels	2
8	Bottom Panel	1	19	Drawer Right Side Panels	2
9	Legs	4	20	Drawer End Panels	2
10	Long Plinths	2	21	Drawer Base Panels	2
11	Short Plinths	2			





# Fittings

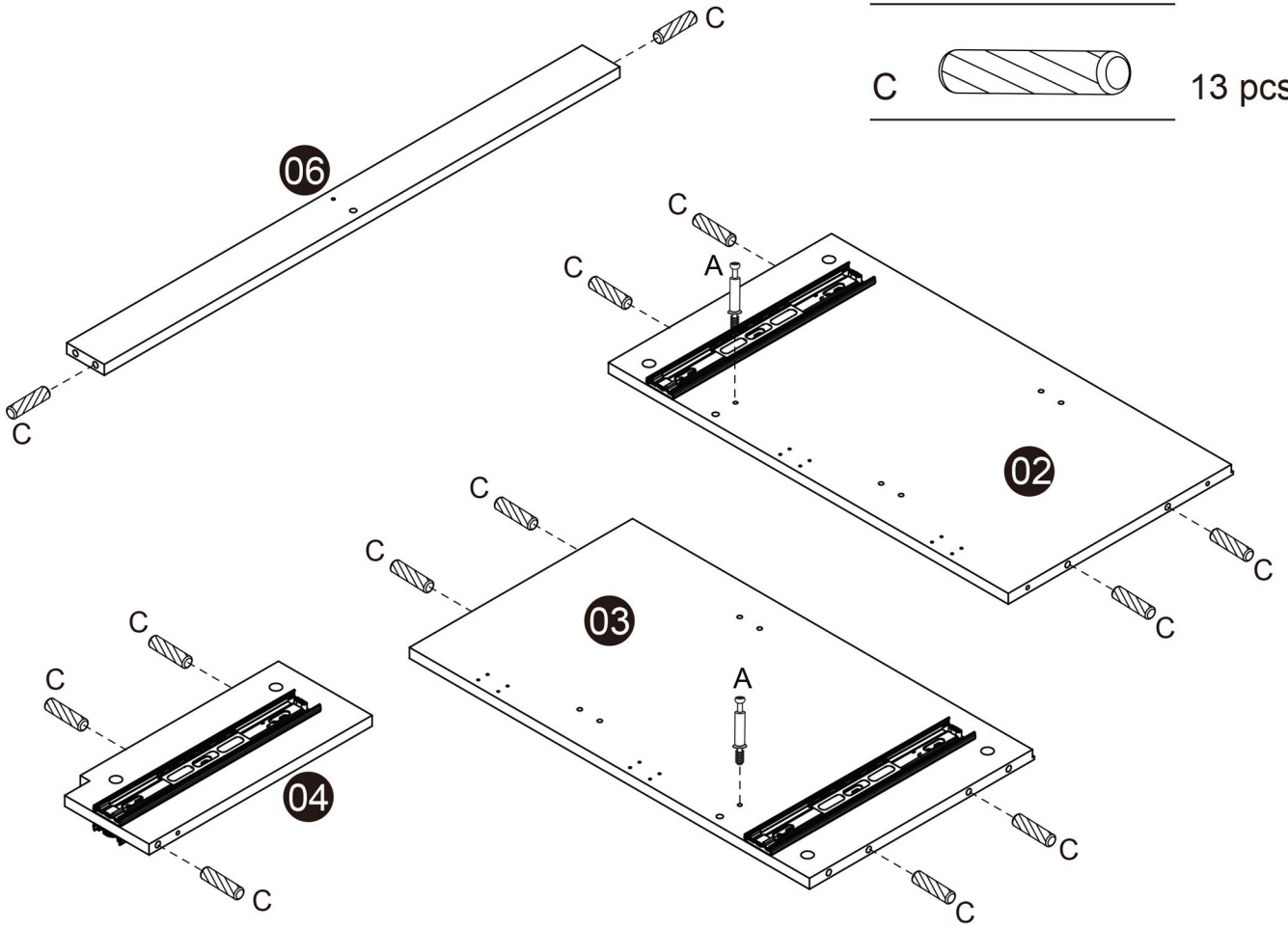
Please check you have all the fitting listed below with you product.

<p>A x32 + 1 extra</p>  <p>Cam Bolt (Ø4x40mm)</p>	<p>B x32 + 1 extra</p>  <p>Cam Lock</p>	<p>C x17 + 1 extra</p>  <p>Dowel (Ø8x30mm)</p>
<p>D x13 + 1 extra</p>  <p>Screw (Ø4x35mm)</p>	<p>E x4</p>  <p>Knob</p>	<p>F x4</p>  <p>Handle Bolt (M4x20mm)</p>
<p>G1 x1</p>  <p>Anti-tilt Metal Bracket</p>	<p>G2 x1</p>  <p>Expansion Bolts</p>	<p>G3 x1</p>  <p>Screw (Ø4x40mm)</p>
<p>G4 x1</p>  <p>Screw (Ø2.5x12mm)</p>	<p>H x4</p>  <p>Shelf Support</p>	<p>J x4</p>  <p>Flet Pads Ø30mm</p>
<p>K x25 + 1 extra</p>  <p>Screw (Ø2.5x12mm)</p>	<p>L x8 + 1 extra</p>  <p>Sticker Cover Ø20mm</p>	<p>M x4</p>  <p>Screw (Ø4x25mm)</p>
<p>N x24 + 1 extra</p>  <p>Screw (Ø4x14mm)</p>	<p>P x10 + 1 extra</p>  <p>Screw (Ø4x45mm)</p>	<p>Q x4</p>  <p>Hinge</p>


**Step 1** Attach Dowels and CAM Bolts.

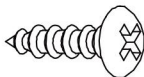
A  2 pcs

C  13 pcs

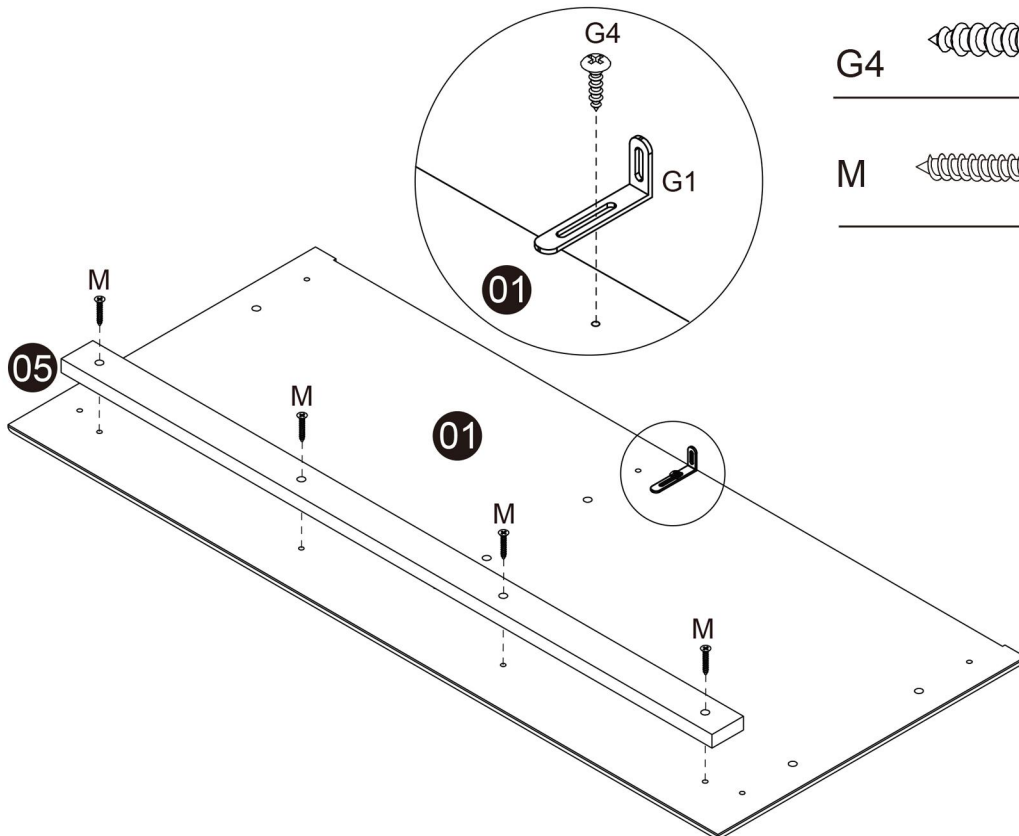


**Step 2** Attach Top Cross Rail and Anti-tilt Metal Bracket to the Top Panel.


G1  1 pc

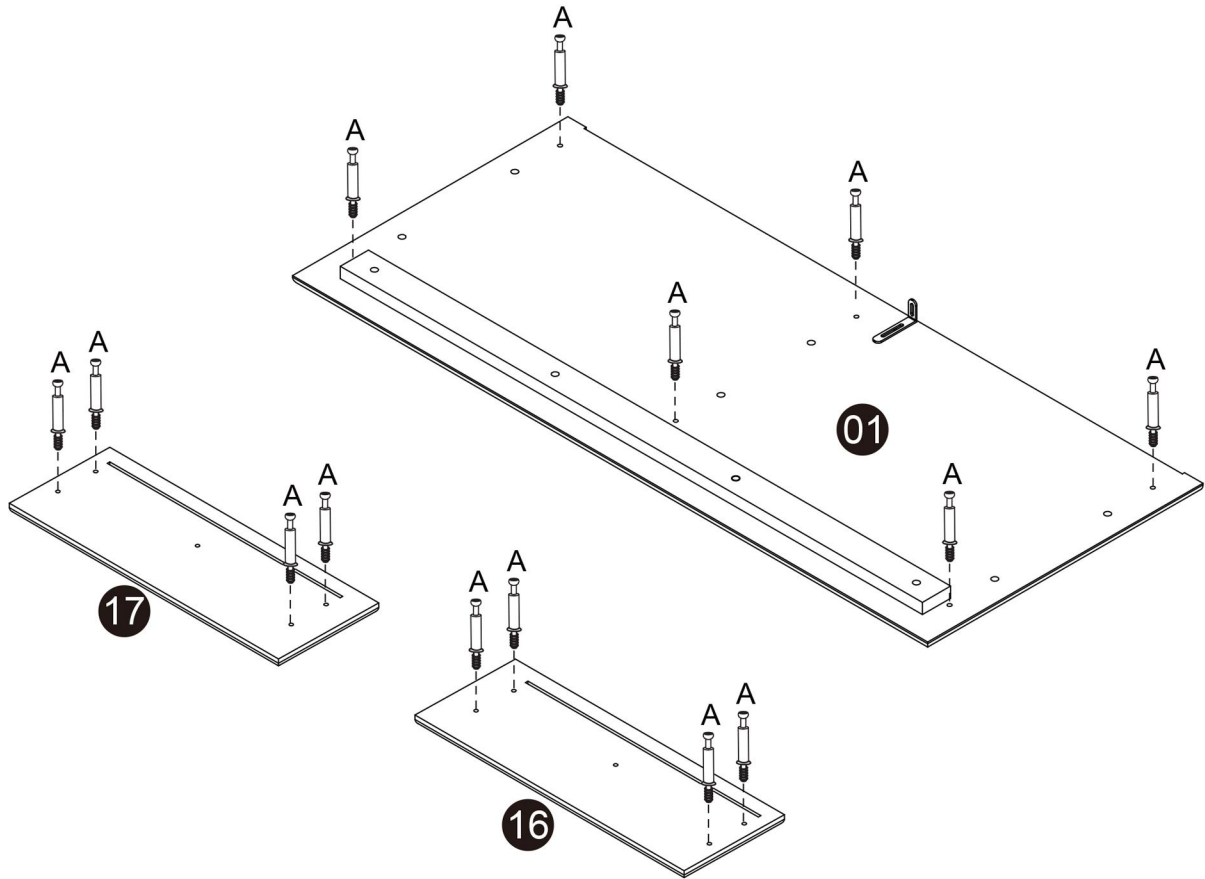
G4  1 pc

M  4 pcs



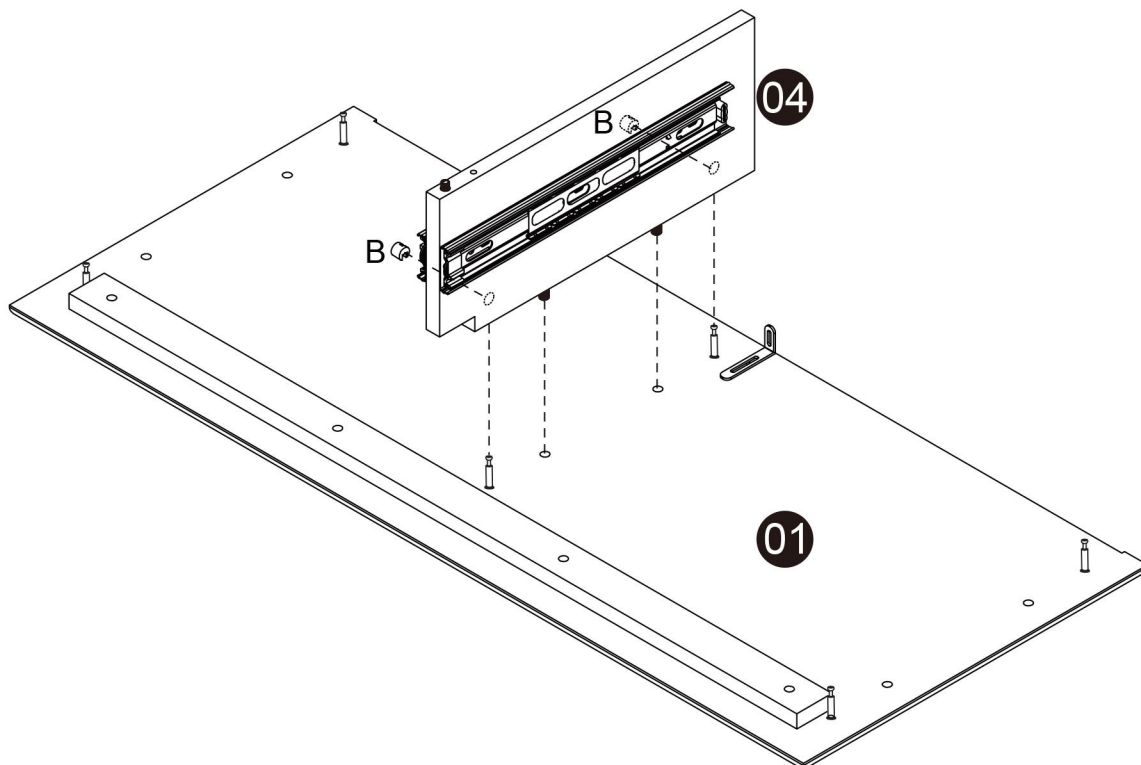
### Step 3 Attach CAM Bolts.

A  14 pcs



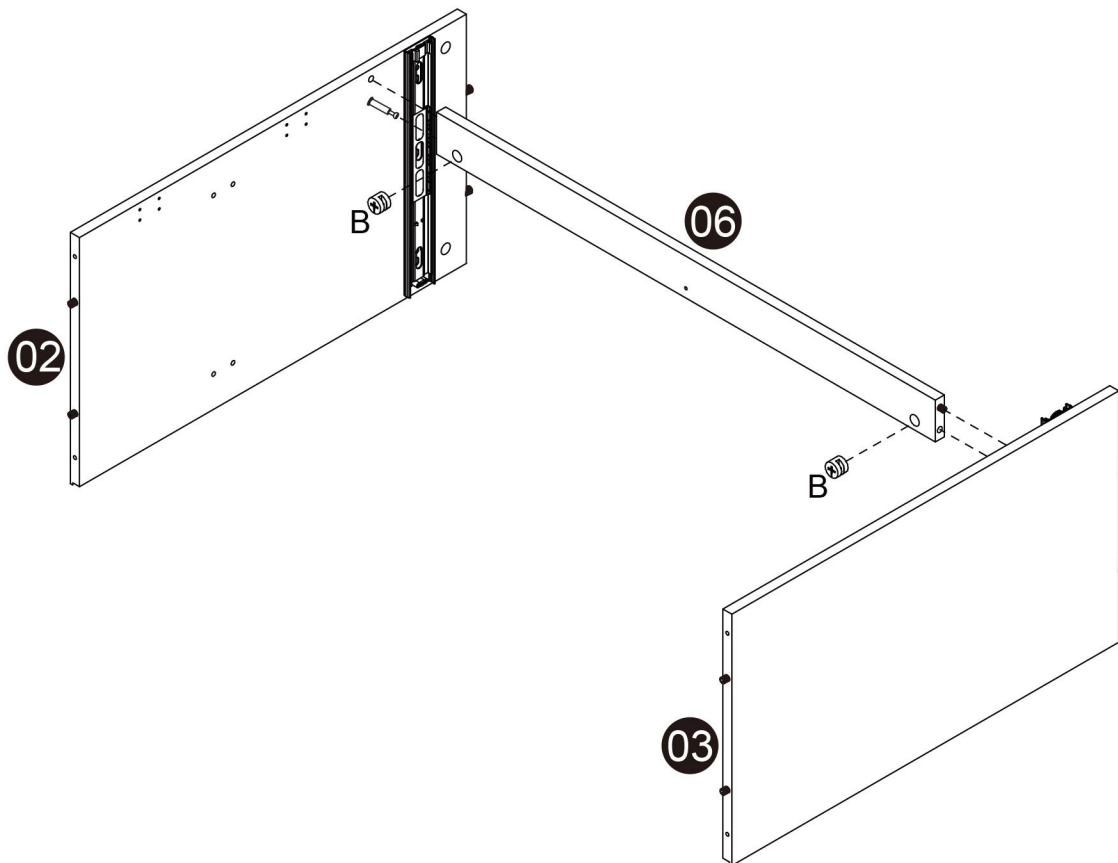
### Step 4 Attach the Divided Panel to the Top Panel.

B  2 pcs




**Step 5** Connect Left Side Panel, Middle Cross Rail and Right Side Panel together.

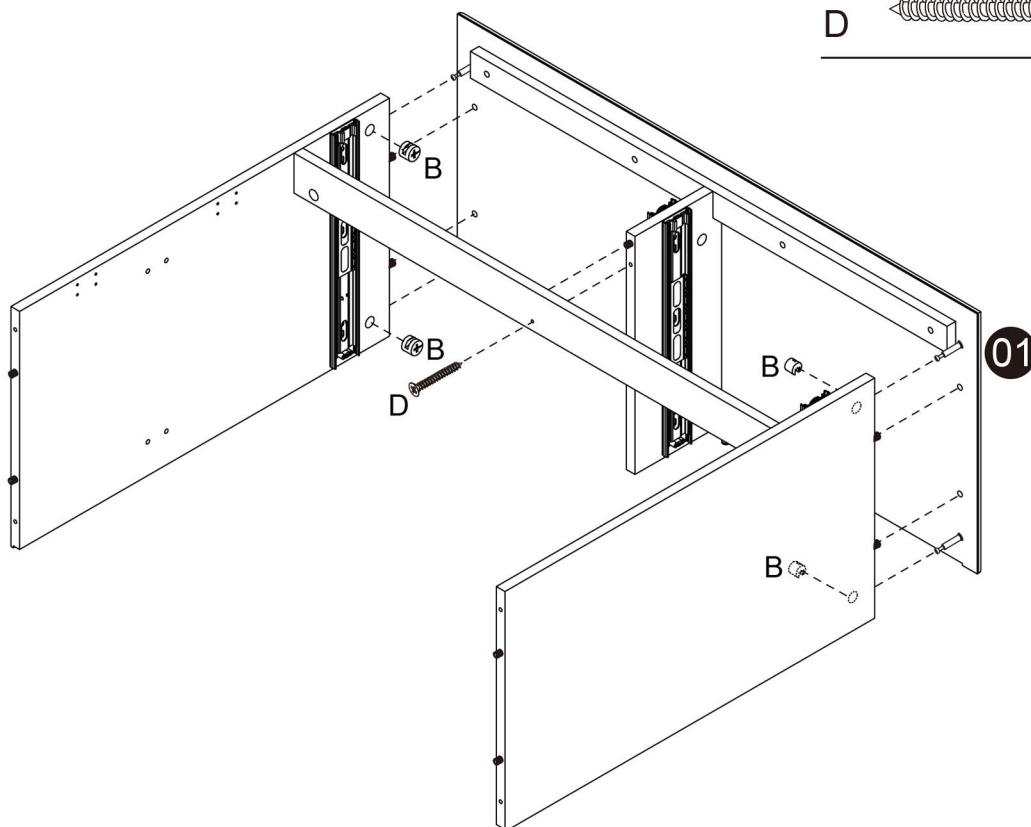
B  2 pcs



**Step 6** Attach Side Panels to the Top Panel.


B  4 pcs

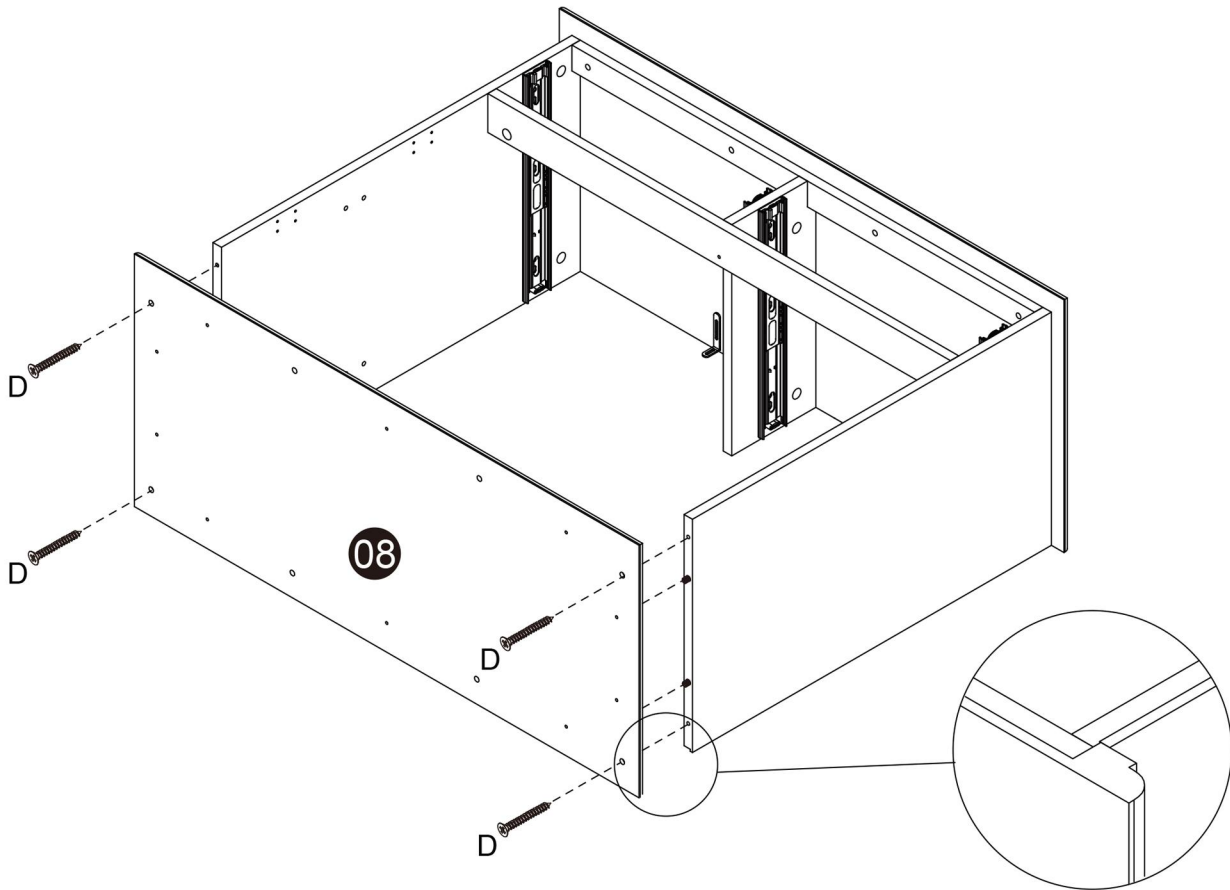
D  1 pc






## Step 7 Attach Bottom Panel to Side Panels.

D  4 pcs




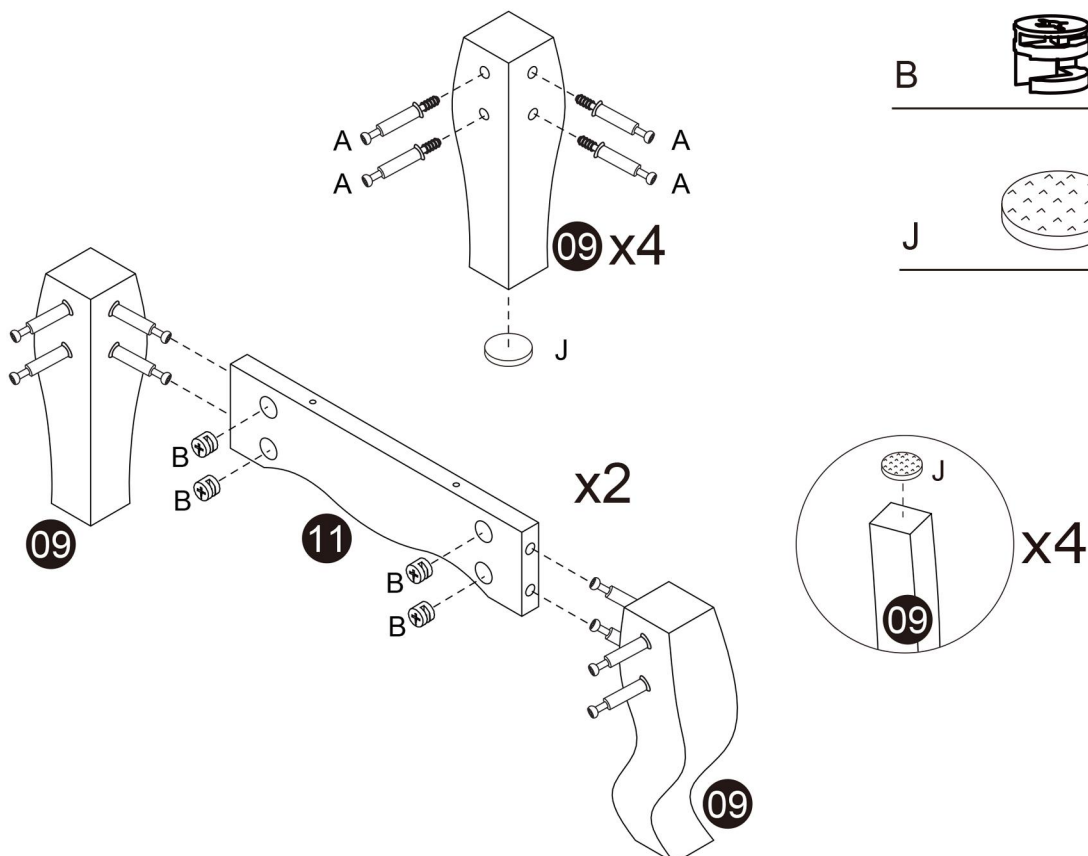
## Step 8 Attach CAM Bolt and Flet Pads to Legs.

Connect Two Legs and Short Plinths together.

A  16 pcs

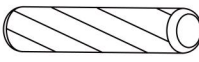
B  8 pcs

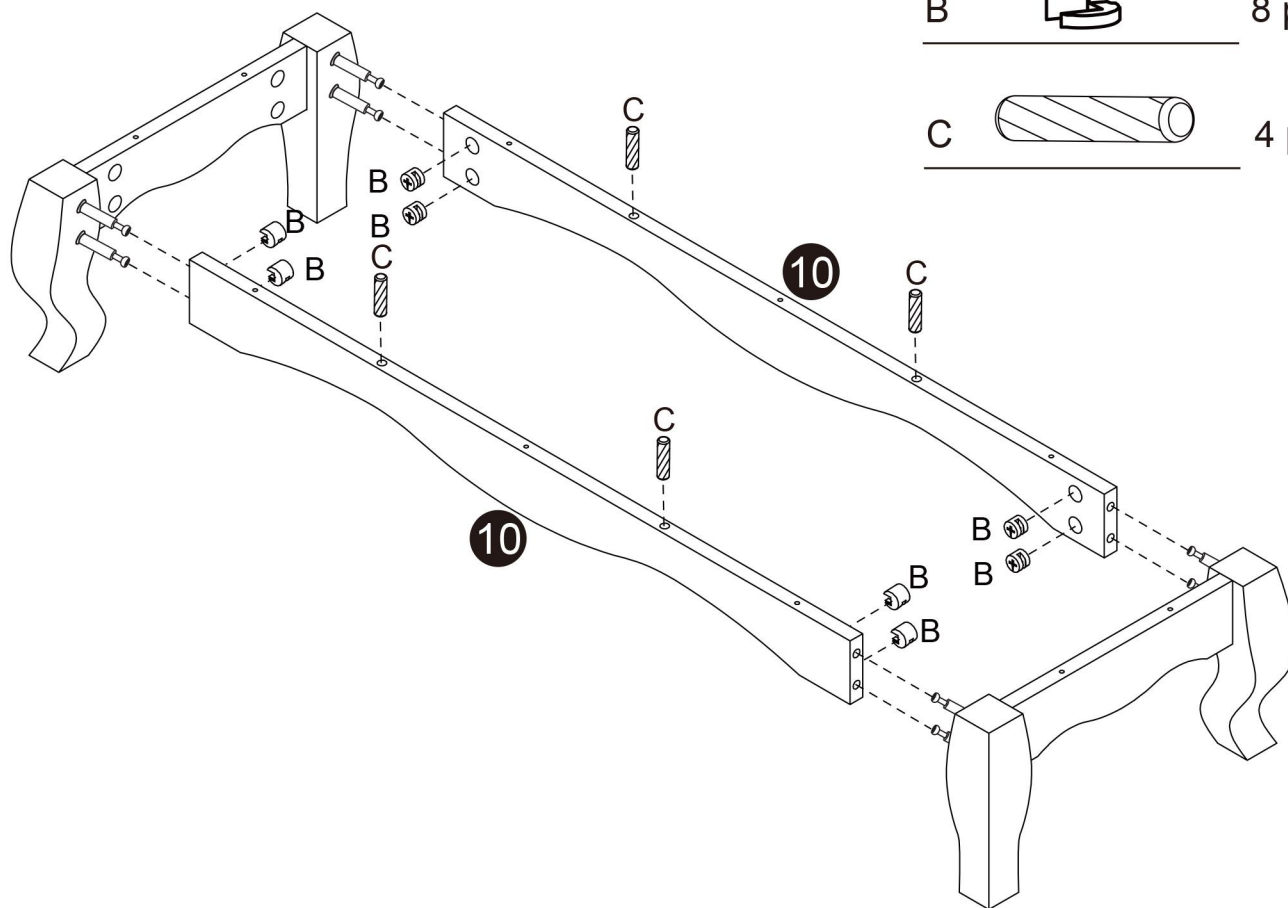
J  4 pcs



## Step 9 Attach Long Plinths.

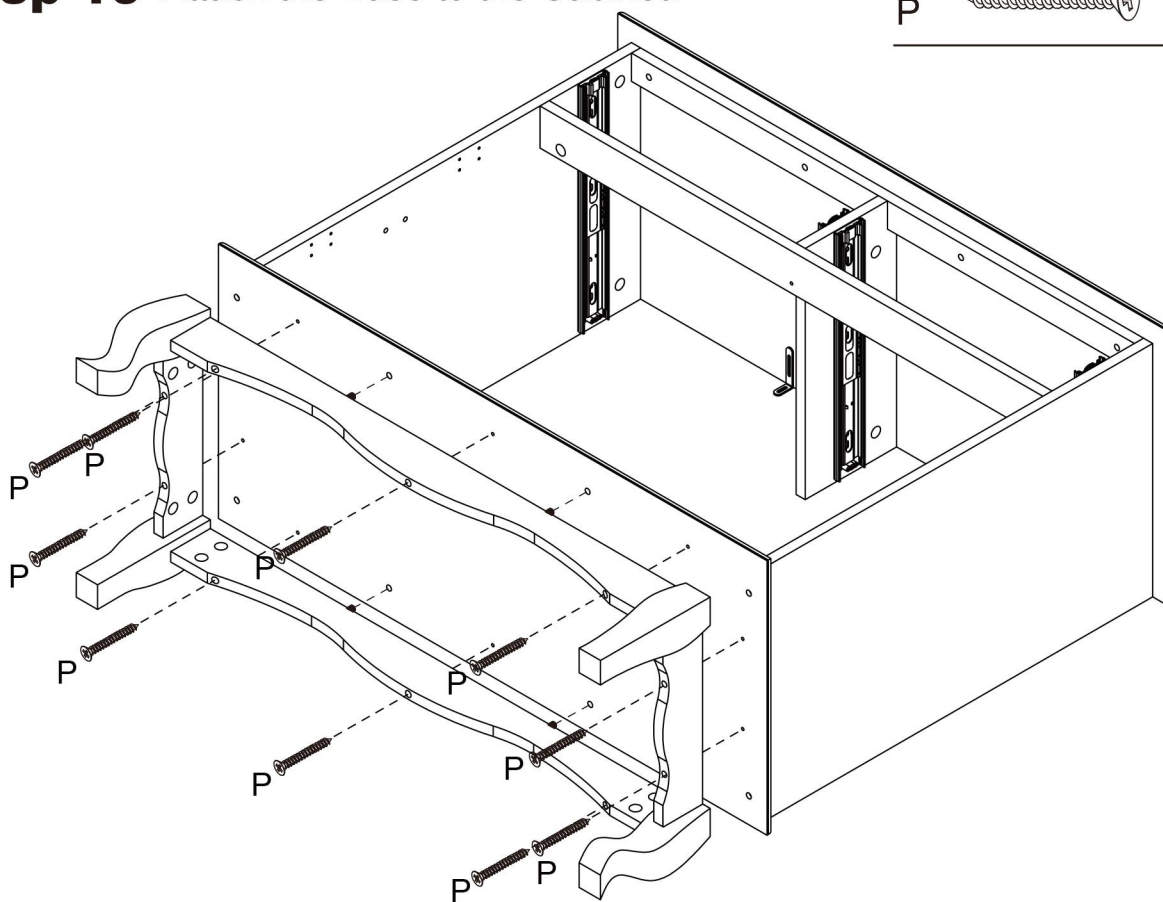
B  8 pcs

C  4 pcs




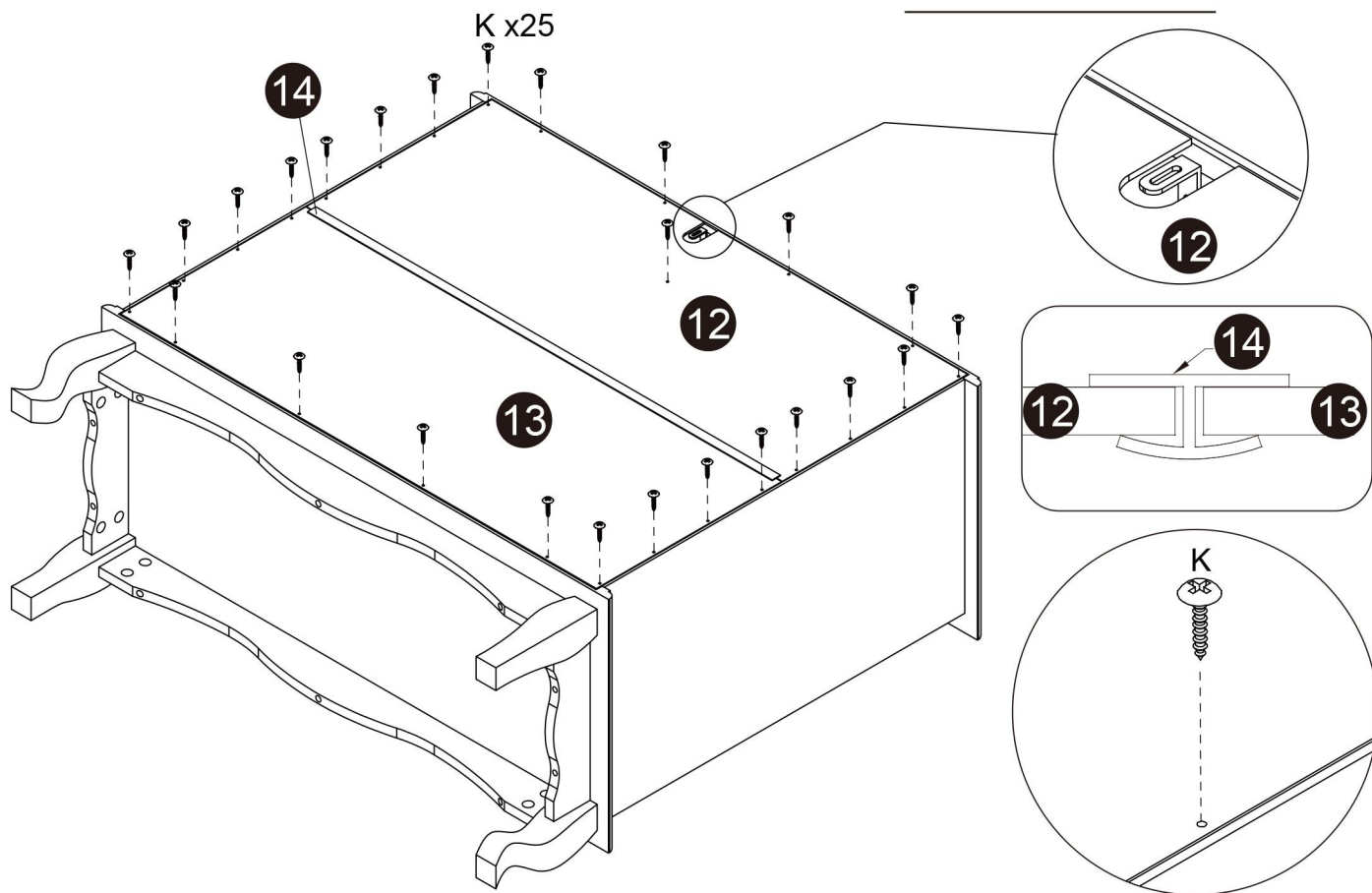
## Step 10 Attach the Base to the Cabinet.

P  10 pcs

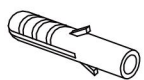


## Step 11 Attach Back Panels.

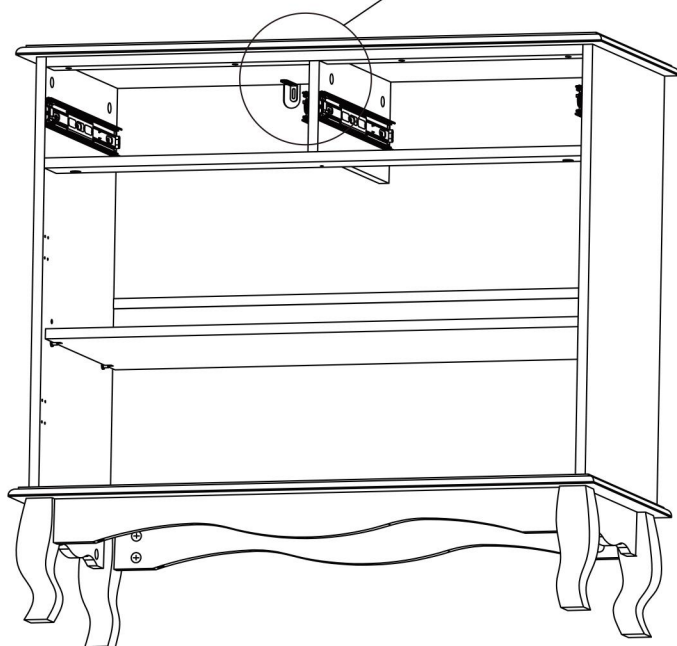
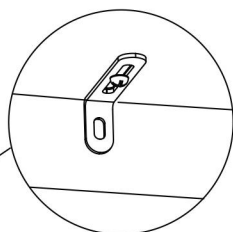
K  25 pcs



## Step 12

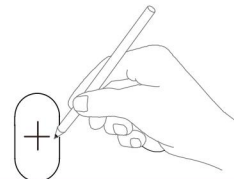
G2  1 pc

**Warning:**  
Always ensure the area to be drilled is  
free from hidden electrical wires,  
water and gas pipes.

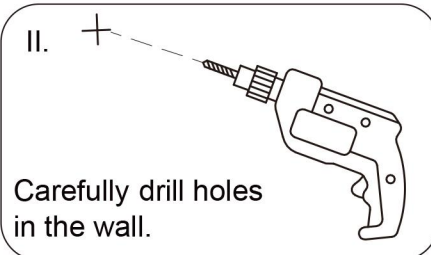


In the final position the cabinet is to be used, place it flat against the wall. From underside of the top carefully mark the wall with a sharp pencil, dead-centre of the holes in the short legs of the metal Anti-tilt Bracket.

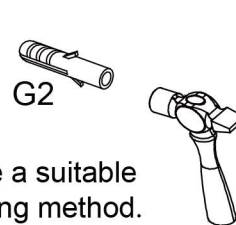
I.



II.

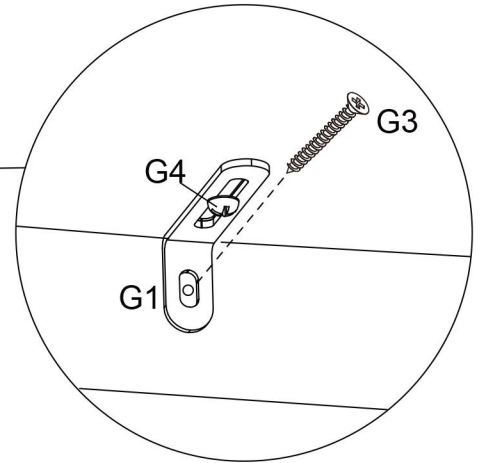
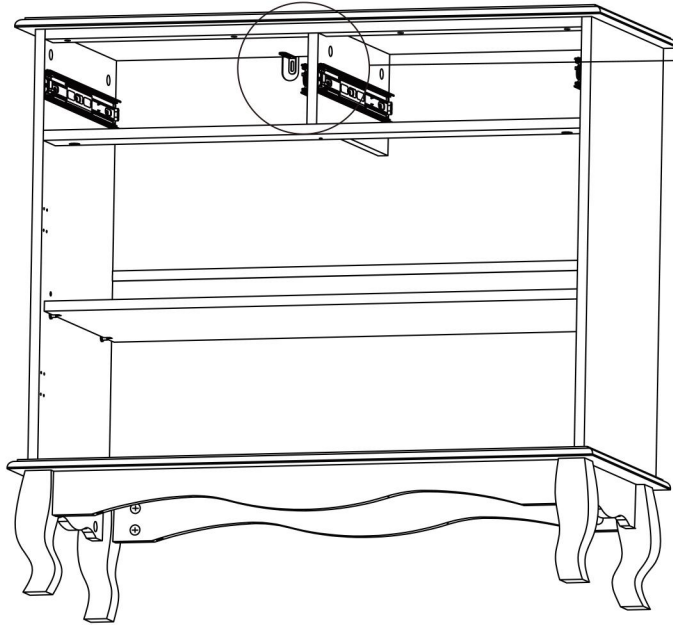


III.



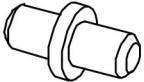
## Step 13

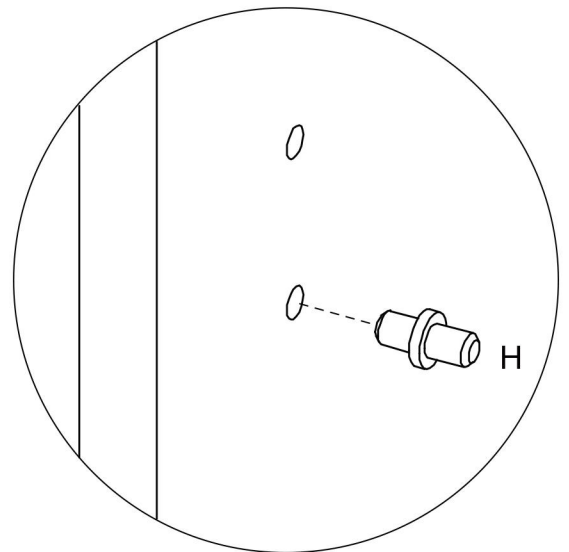
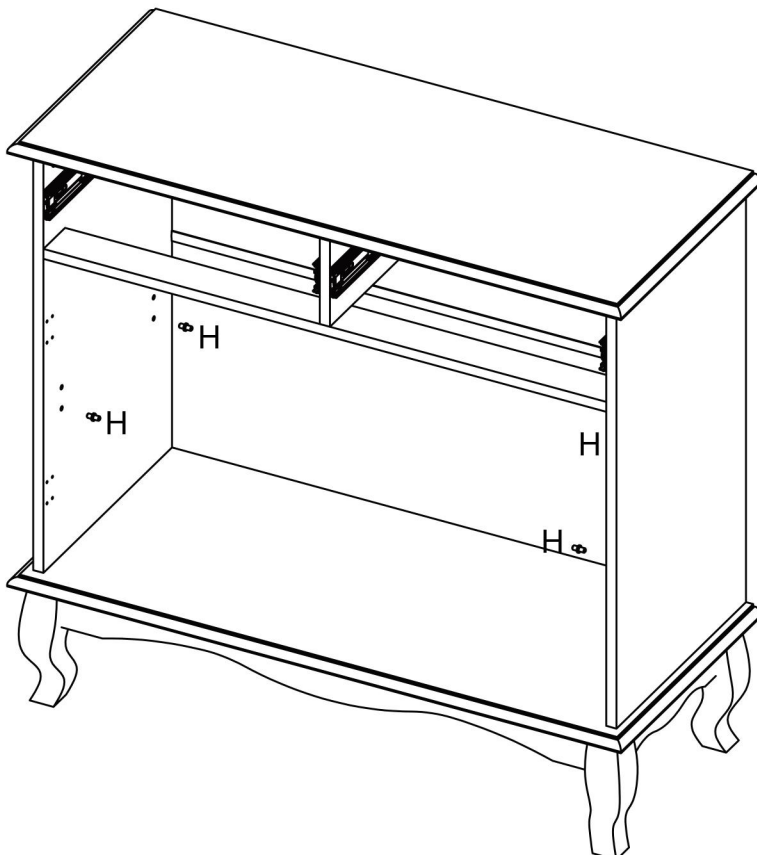
G3  1 pc



Hold cabinet firmly against the wall. If necessary, loosen screw (G4) a little and push each metal bracket (G1) until touching the wall. Screw into your wall fixings making sure brackets are firm, finally re-tighten screws (G4).

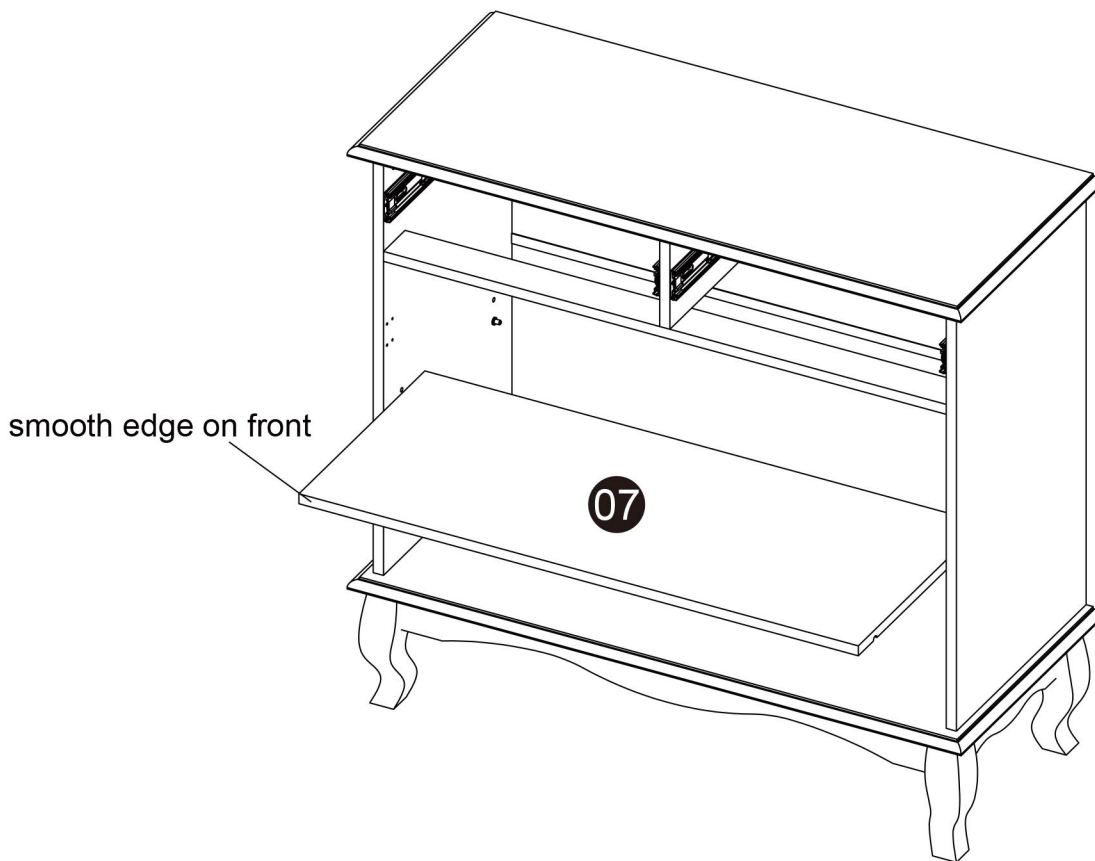
## Step 14 Insert Shelf Supports into Panels.

H  4 pcs





**Step 15** Put Removable Panel into the Cabinet.

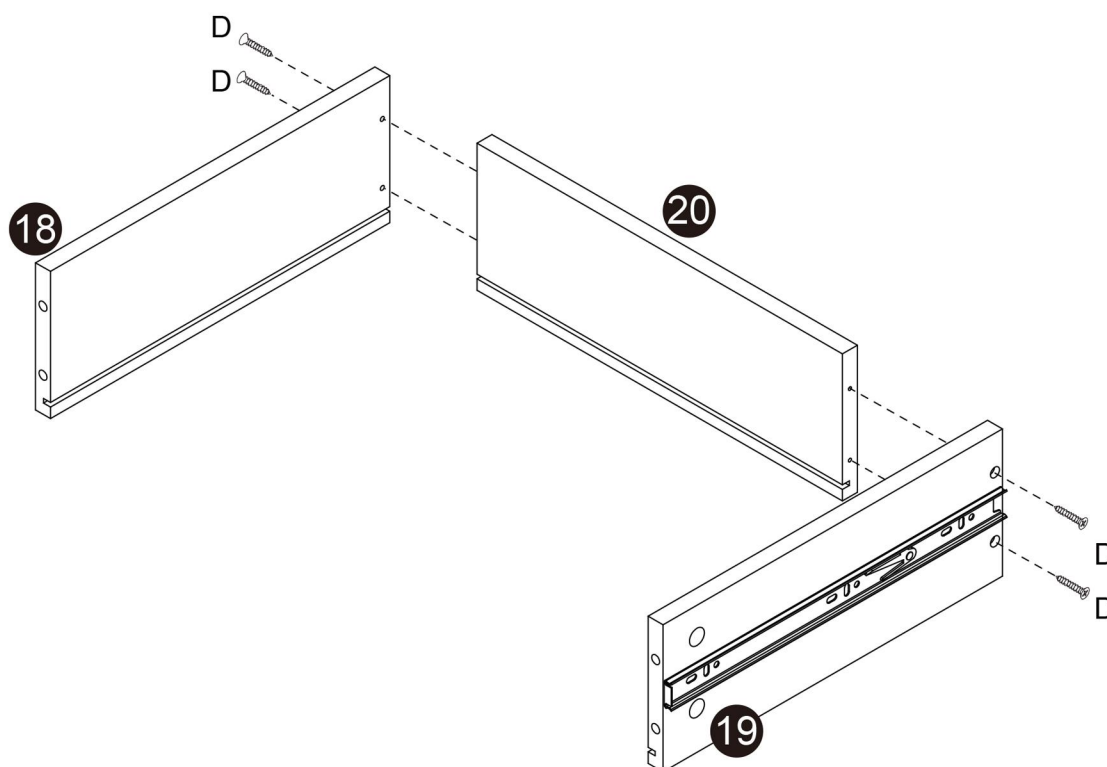


**Step 16** Attach Drawer Side Panels to Drawer End Panel.



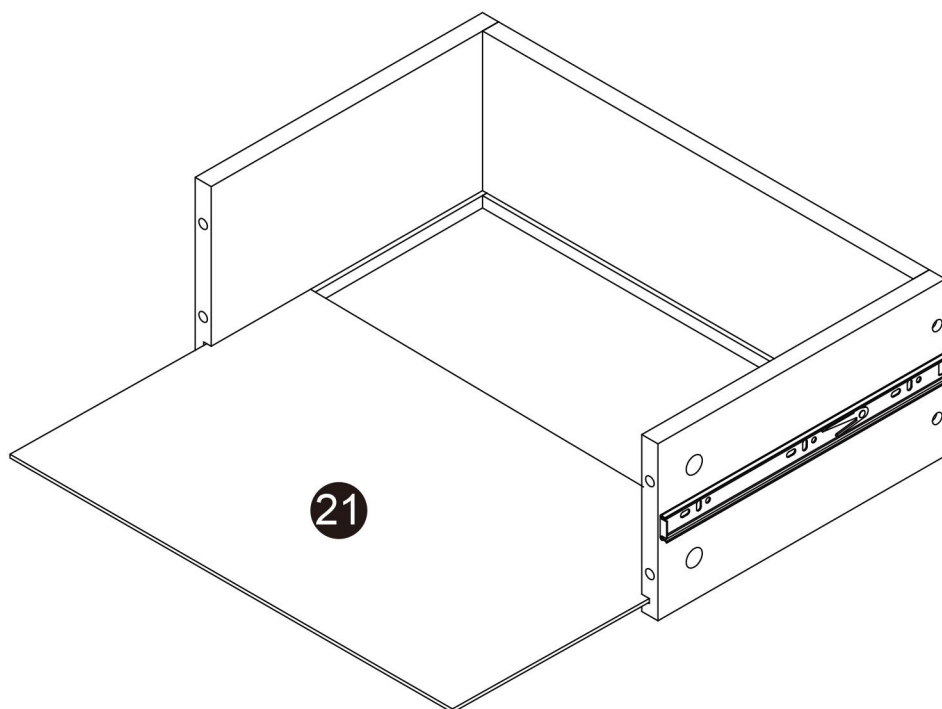
8 pcs

x2



**Step 17** Put Drawer Base Panel into Drawer.

x2

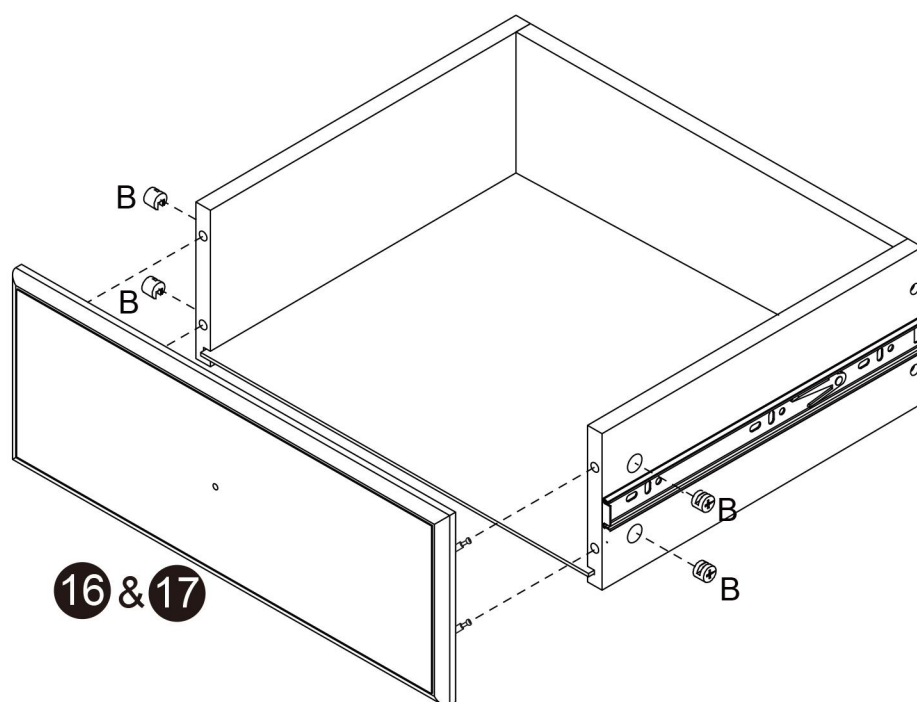


**Step 18** Attach Drawer Front Panels to Drawers.

B



8 pcs



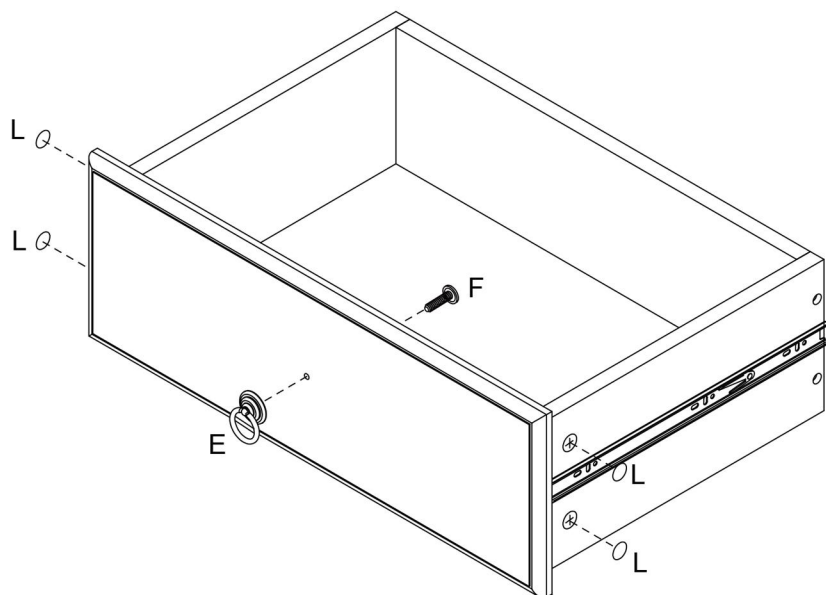
**Step 19** Screw Knobs.

x2

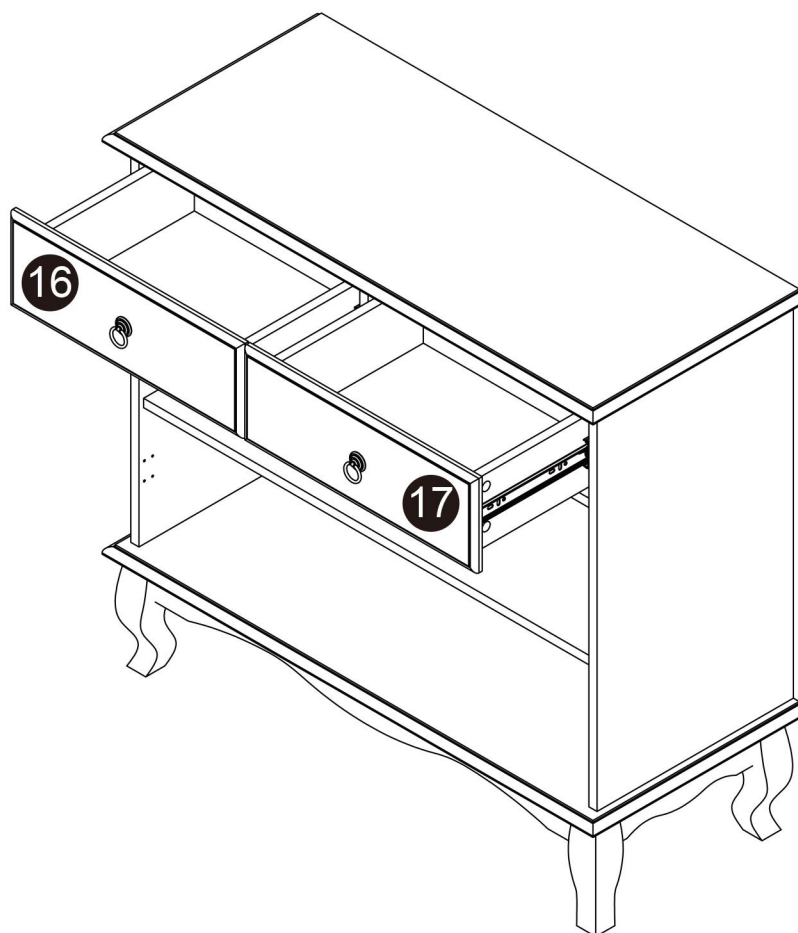
F  2 pcs

L  8 pcs

E  2 pcs

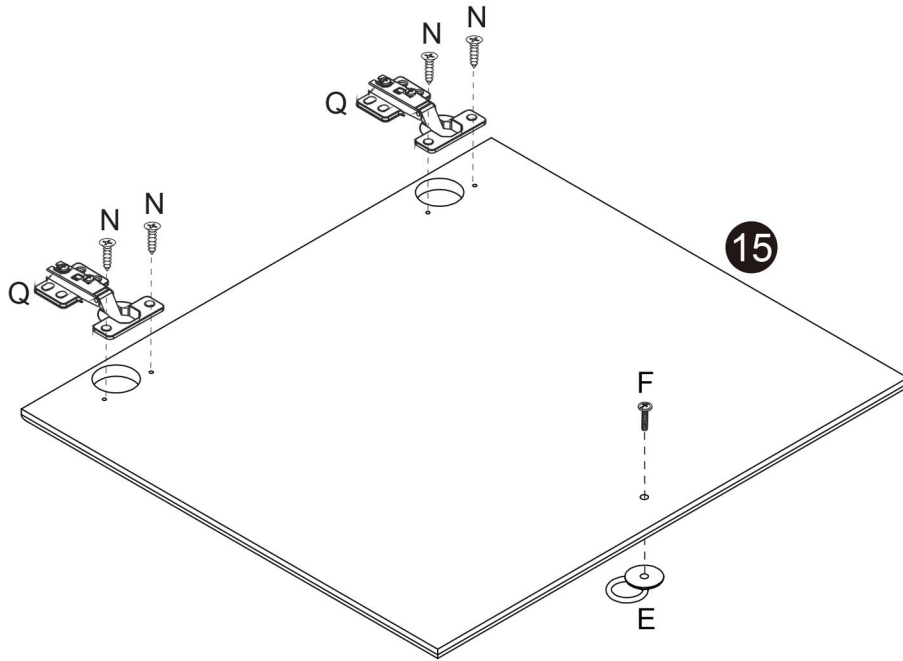




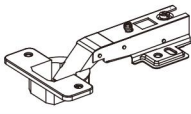

**Step 20** Put Drawers into the cabinet.



**Step 21** Attach Hinges and Knobs to Doors.

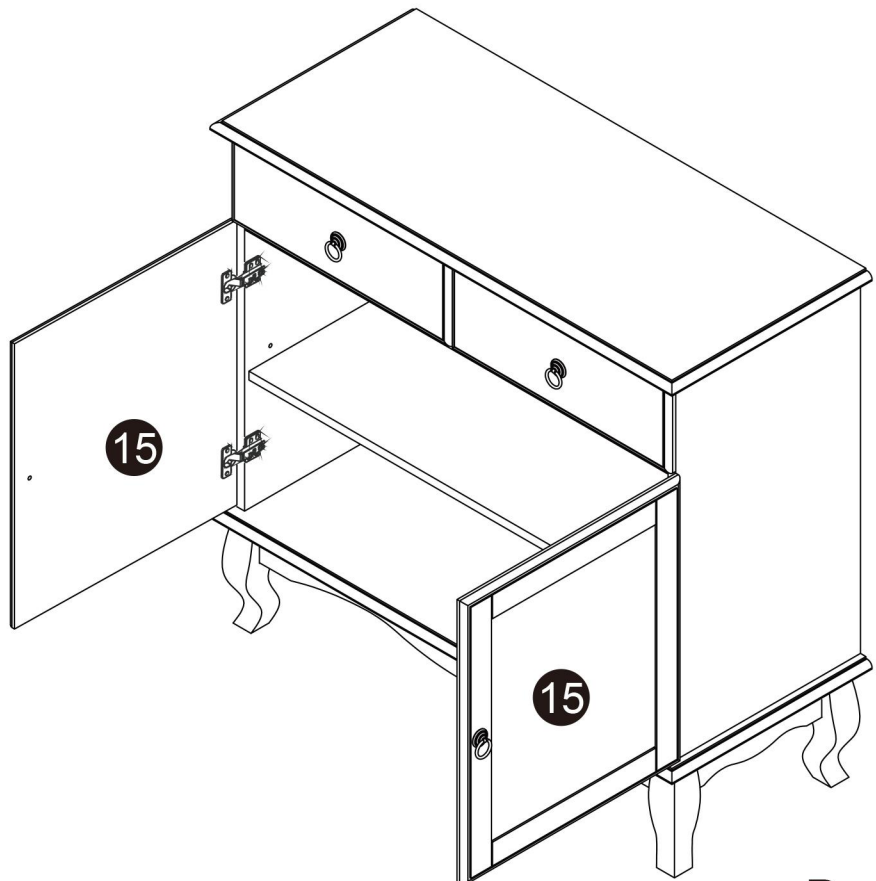
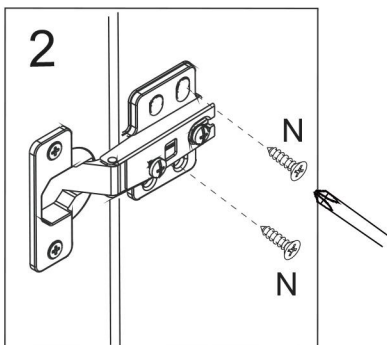
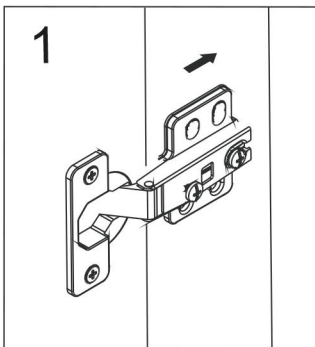
x2



F		2 pcs
N		8 pcs
Q		4 pcs
E		2 pcs

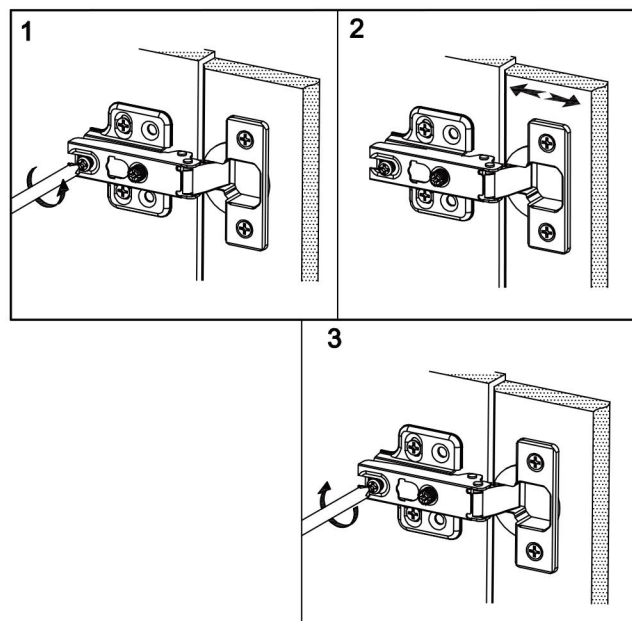
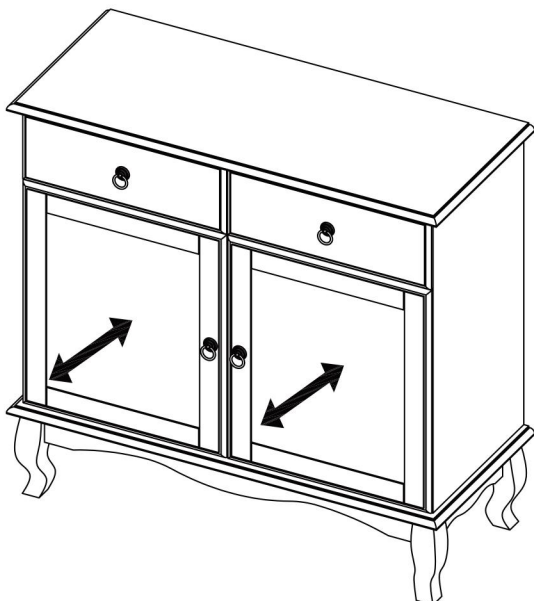
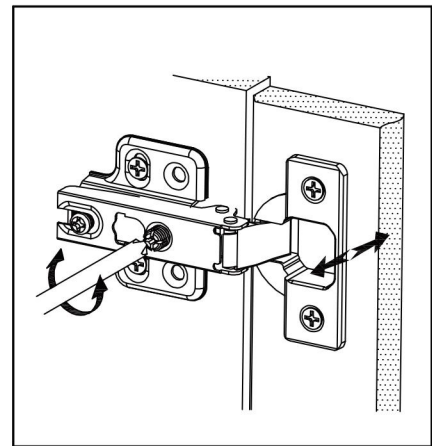
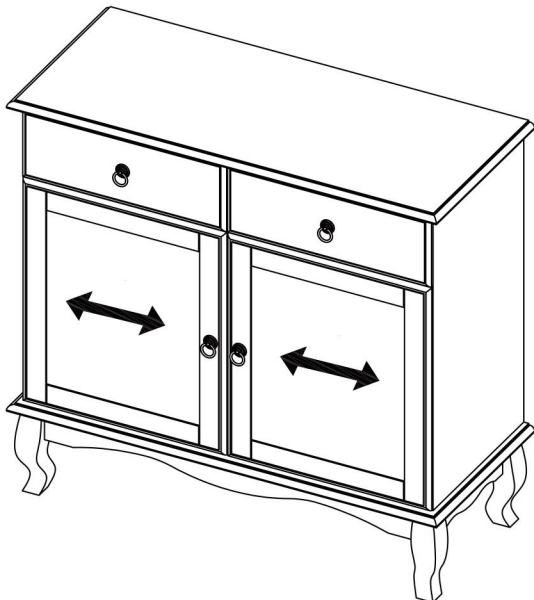
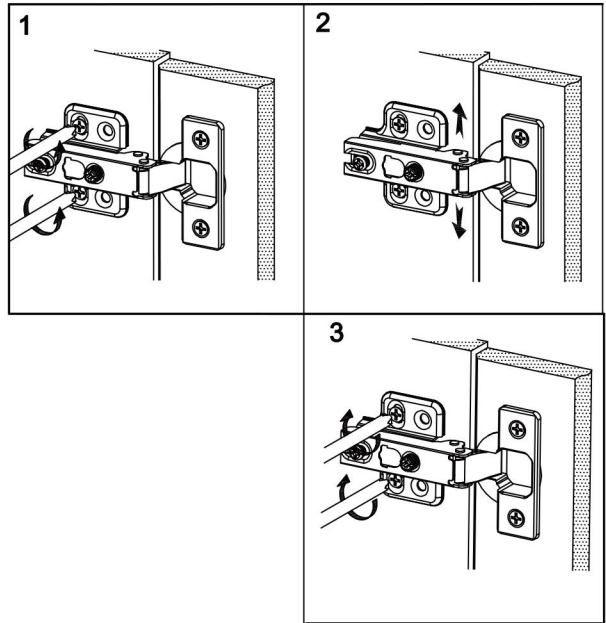
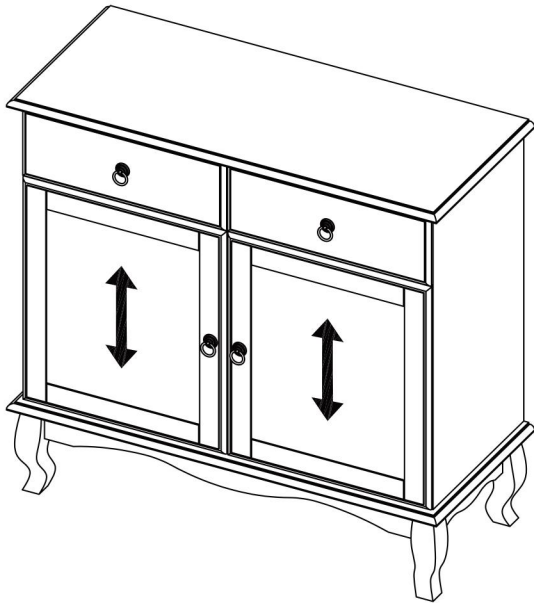
**Step 22** Attach Doors to the Cabinet.

N		8 pcs
---	---	-------



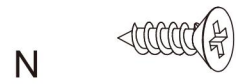


# Step 23 Adjust Hinges.



# Step 24

Tighten the other screws.



8 pcs

Once flaps have been adjusted vertically. Fit screws (N) to fix plates (R) in their final position.

