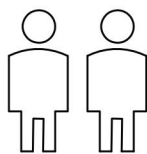


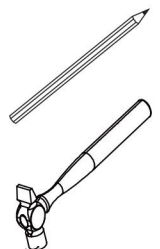
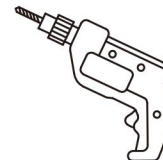
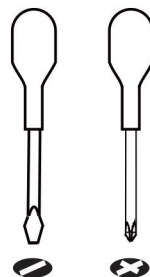
## Amelie Large Chest



Up to 2 hours  
assembly time



Two person  
assembly



## **IMPORTANT**

### **ASSEMBLY TIP**

Before you begin , it's best to identify all of the parts and fittings to build your cabinet. We advise laying these out on the clean and flat floor to check you have everything , and to familiarise yourself with all of the parts and fittings before building.

### **TOP TIP**

We recommend that you assemble the cabinet in the room you'd like it to be located . This will help prevent any risk of damage to the cabinet whilst moving it .

### **SAFETY AND CARE**

1. Do not stand on your product. Pregnant women should take additional care when using this product. Do not leave the child unattended. Children should always be under direct adult supervision whilst using this product. Always use on firm level ground, ensuring all legs remain in contact with the ground.
2. It's important to ensure children and animals are kept away from the assembly area, as there are small components used in this product which could present a choking hazard. All plastic and wrapping materials should also be kept away from children and animals to prevent any risk of suffocation.

### **HELP AND SUPPORT**

Please contact our customer service team on 0113 519 0311 if you have any questions or issues with your purchase.

### **RECYCLING**

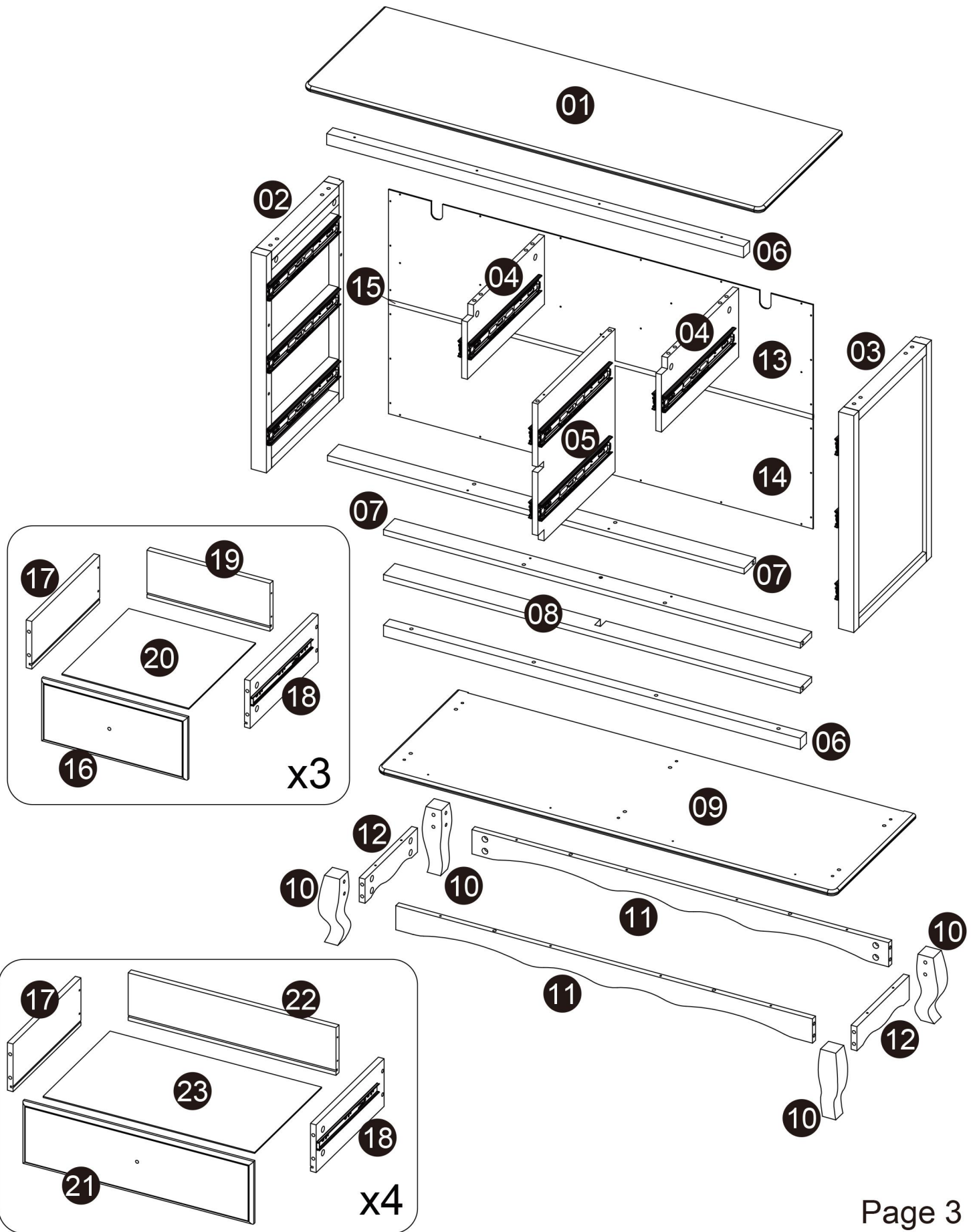
Please ensure that packaging is disposed of in a safe and environmentally friendly way, and recycle where possible. Please keep your assembly instructions safe to refer back to in the future.

### **CARE AND MAINTENANCE:**

1. Only use clean , colourless sponge or cloth to avoid any colour transfer or smearing , do not use bleach or abrasive cleaners as they may damage the chest top over time.
2. Do not use a very wet cloth or allow any liquid to contact with the chest for a long period of time . Wipe any spillage immediately.
3. Do not scrub or rub the surface when cleaning.
4. Do not drag the chest when moving , lift it off the floor instead.
5. Use a placemat or a coaster when putting hot items ( e . g . hot drinks and dishes ) on the chest surface.
6. It is not recommended to place the item next to sources of heat such as radiators , fires or directly exposed to sunlight.
7. Regularly check all fixings to ensure none have come loose . Re - tighten if necessary.
8. Avoid sharp items such as a screwdriver or any pointy tools.
9. Dispose of all packaging carefully and responsibly - recycle where possible.
10. Due to the delicate nature of this product , please gently place hard items onto the chest top to avoid damaging the surface.

# Parts

Before you begin building your bed frame, please take a moment to read through the instructions and make sure that you have all the relevant parts listed on parts check list.




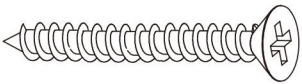

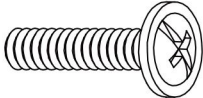
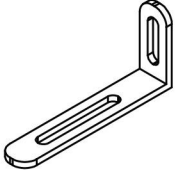
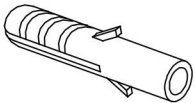
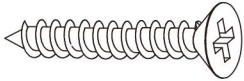
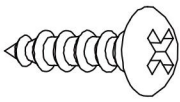
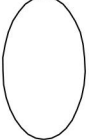
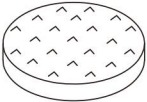
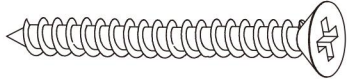
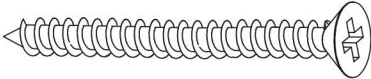
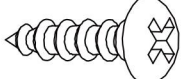


# Parts Check List


No.	Part List	Qty	No.	Part List	Qty
1	Top Panel	1	13	Upper Back Panel	1
2	Left Side Panel	1	14	Lower Back Panel	1
3	Right Side Panel	1	15	'H' Shape Bar	1
4	Upper Divide Panel	2	16	Small Drawer Front Panels	3
5	Lower Divide Panel	1	17	Drawer Left Side Panel	7
6	Top Cross Rail	2	18	Drawer Right Side Panel	7
7	Support Cross Rail	2	19	Small Drawer End Panels	3
8	Middle Cross Rail	1	20	Small Drawer Base Panels	3
9	Bottom Panel	1	21	Large Drawer Front Panels	4
10	Legs	4	22	Large Drawer End Panels	4
11	Long Plinths	2	23	Large Drawer Base Panels	4
12	Short Plinths	2			

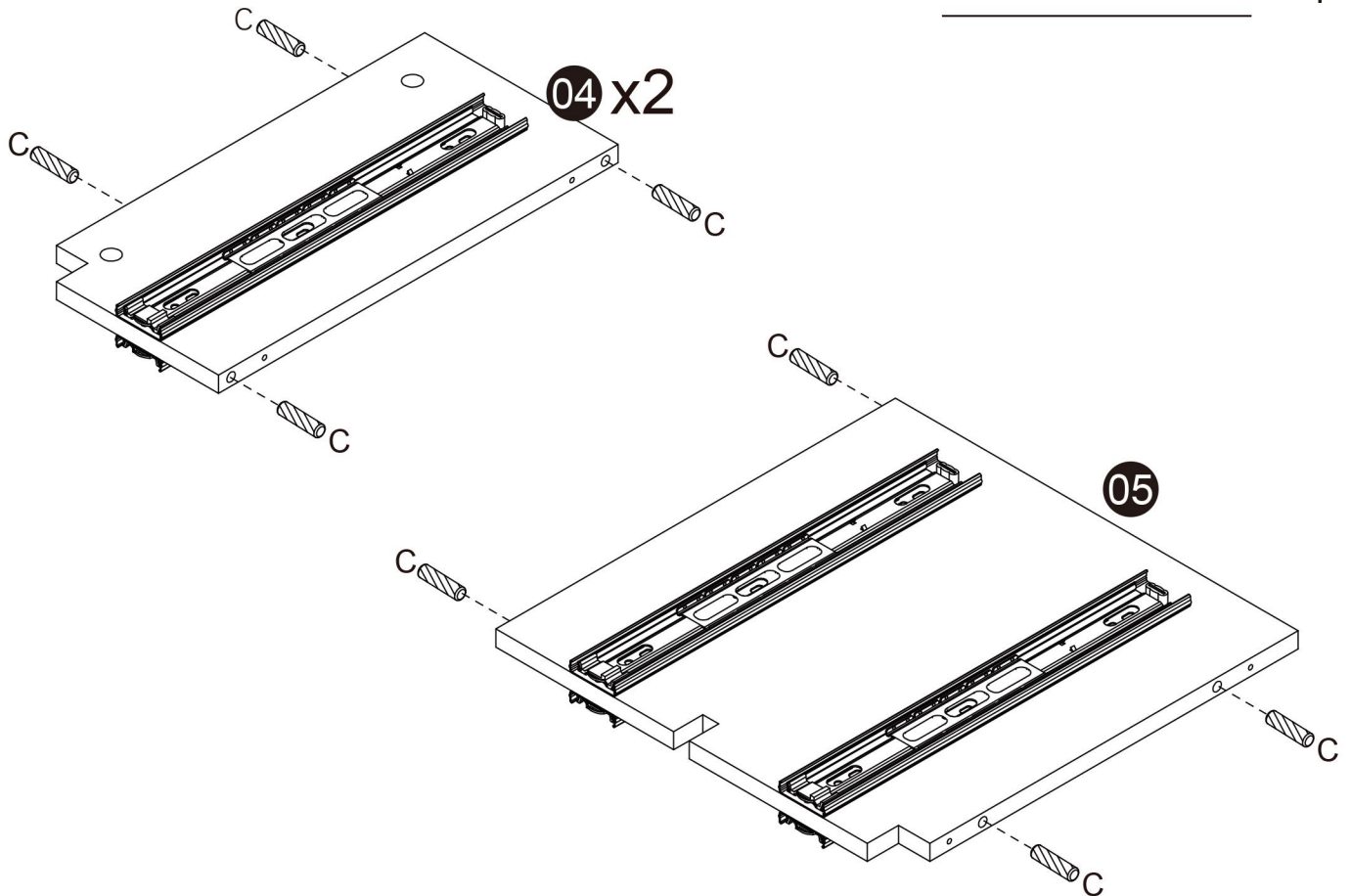
# Fittings

Please check you have all the fitting listed below with you product.

<p>A x58 + 1 extra</p>  <p>Cam Bolt (Ø4x40mm)</p>	<p>B x58 + 1 extra</p>  <p>Cam Lock</p>	<p>C x28 + 1 extra</p>  <p>Dowel (Ø8x30mm)</p>
<p>D x40 + 1 extra</p>  <p>Screw (Ø4x35mm)</p>	<p>E x7+ 1 extra</p>  <p>Knob</p>	<p>F x7+ 1 extra</p>  <p>Handle Bolt (M4x20mm)</p>
<p>G1 x2</p>  <p>Anti-tilt Metal Bracket</p>	<p>G2 x2</p>  <p>Expansion Bolts</p>	<p>G3 x2</p>  <p>Screw (Ø4x40mm)</p>
<p>G4 x2</p>  <p>Screw (Ø2.5x12mm)</p>	<p>H x28 + 1 extra</p>  <p>Sticker Cover (Ø20mm)</p>	<p>J x4</p>  <p>Flet Pads Ø30mm</p>
<p>K x8 + 1 extra</p>  <p>Screw (Ø4x40mm)</p>	<p>L x12 + 1 extra</p>  <p>Screw (Ø4x45mm)</p>	<p>M x33 + 1 extra</p>  <p>Screw (Ø2.5x12mm)</p>

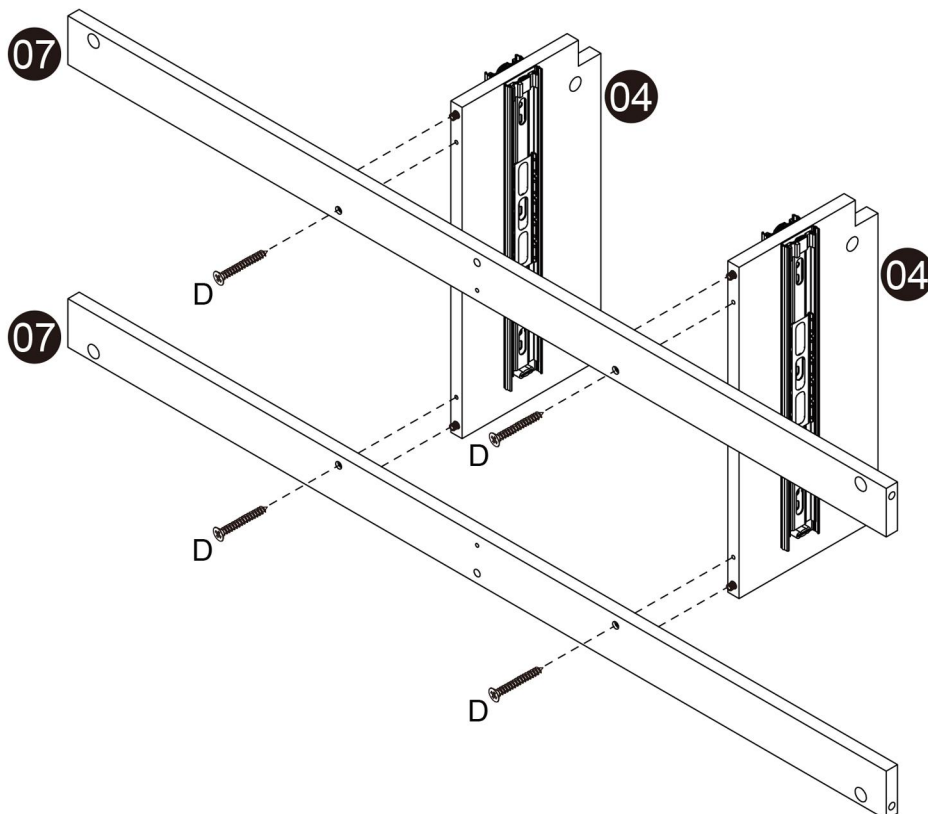
## Step 1 Attach Dowels.

C  12 pcs



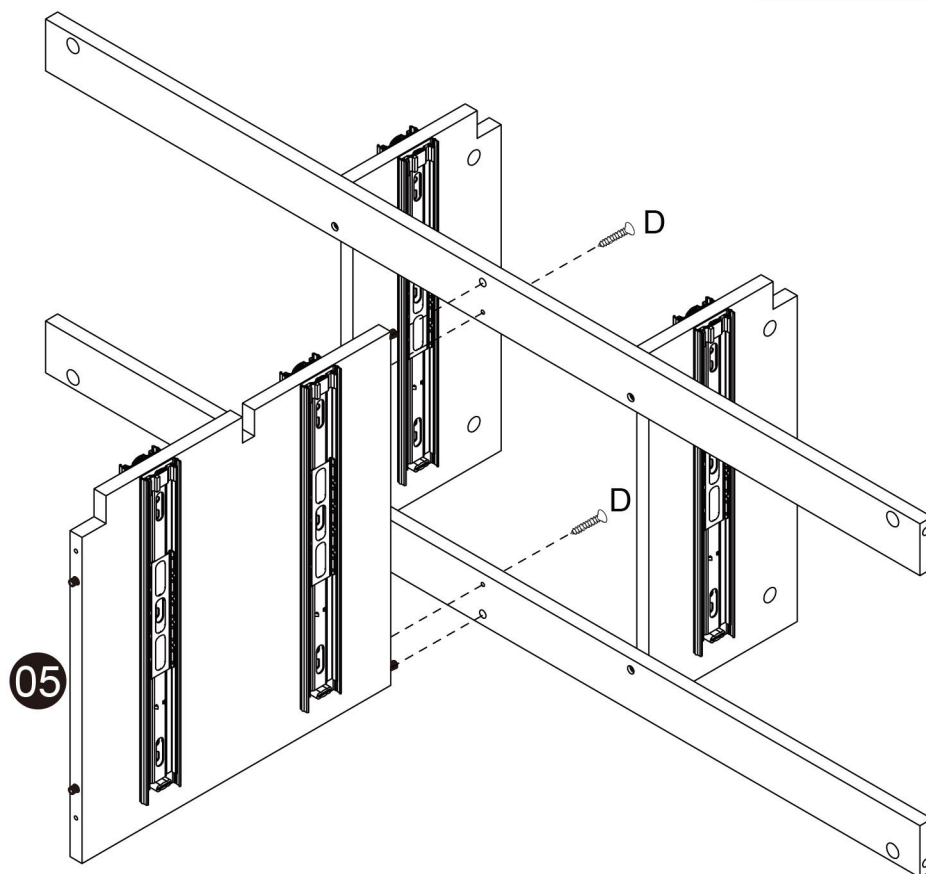
## Step 2 Attach Support Cross Rails to Upper Divide Panels.

D  4 pcs

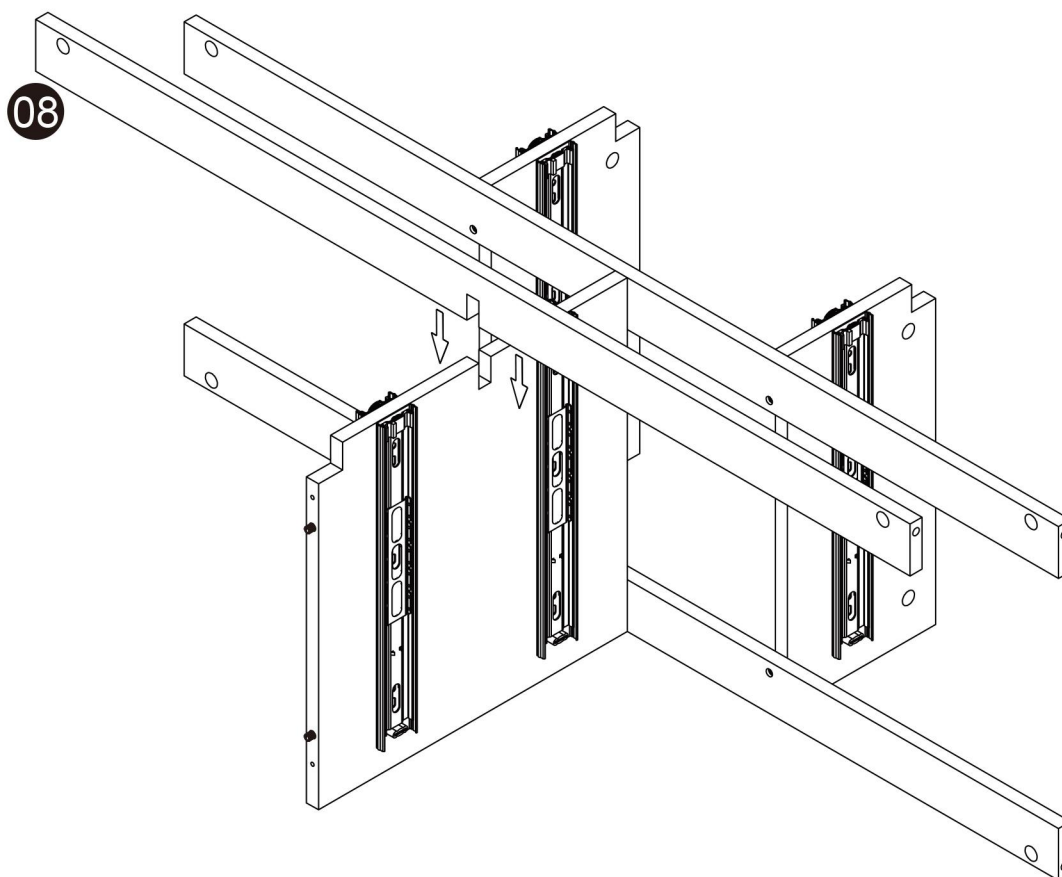


**Step 3** Attach the Lower Divided Panel.


D  2 pcs




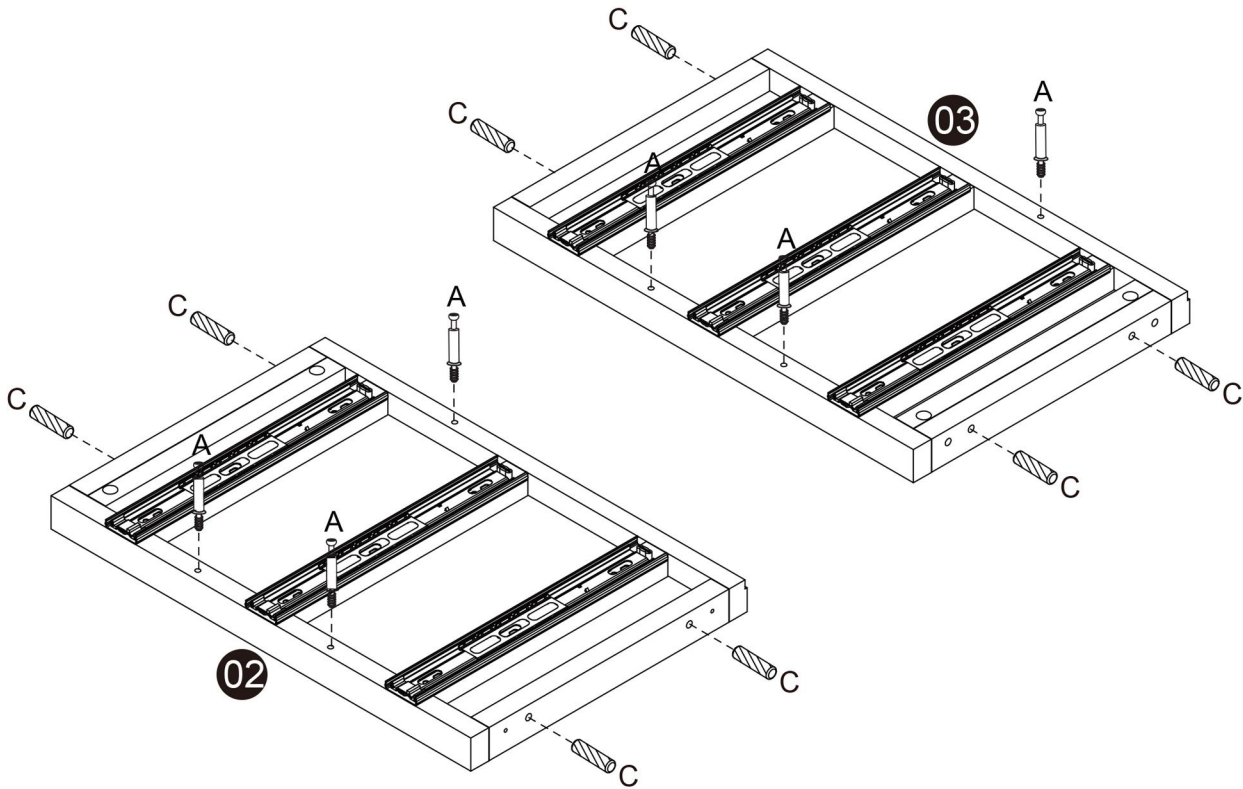
**Step 4** Insert the Middle Cross Rail.



## Step 5 Attach Dowels and CAM Bolts.

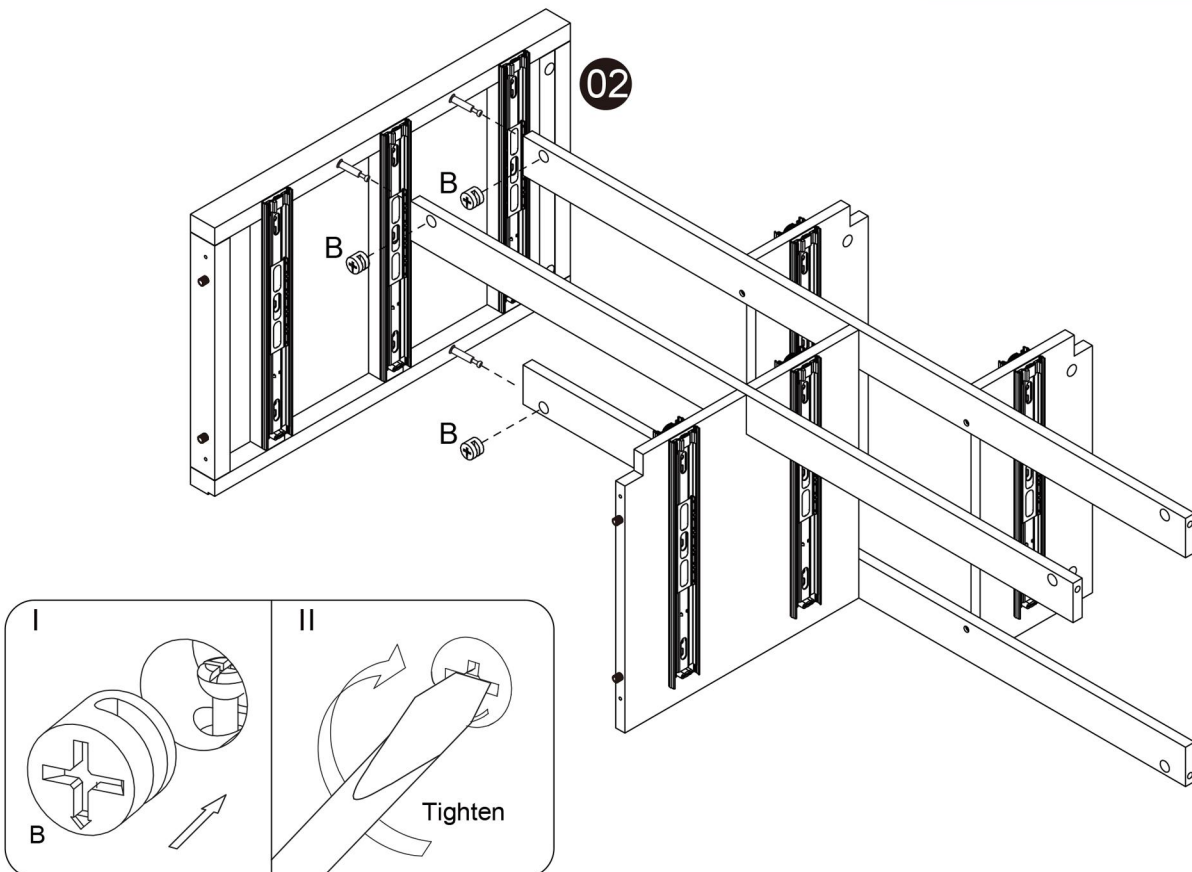
C  8 pcs

A  6 pcs



## Step 6 Attach Left Side Panel.

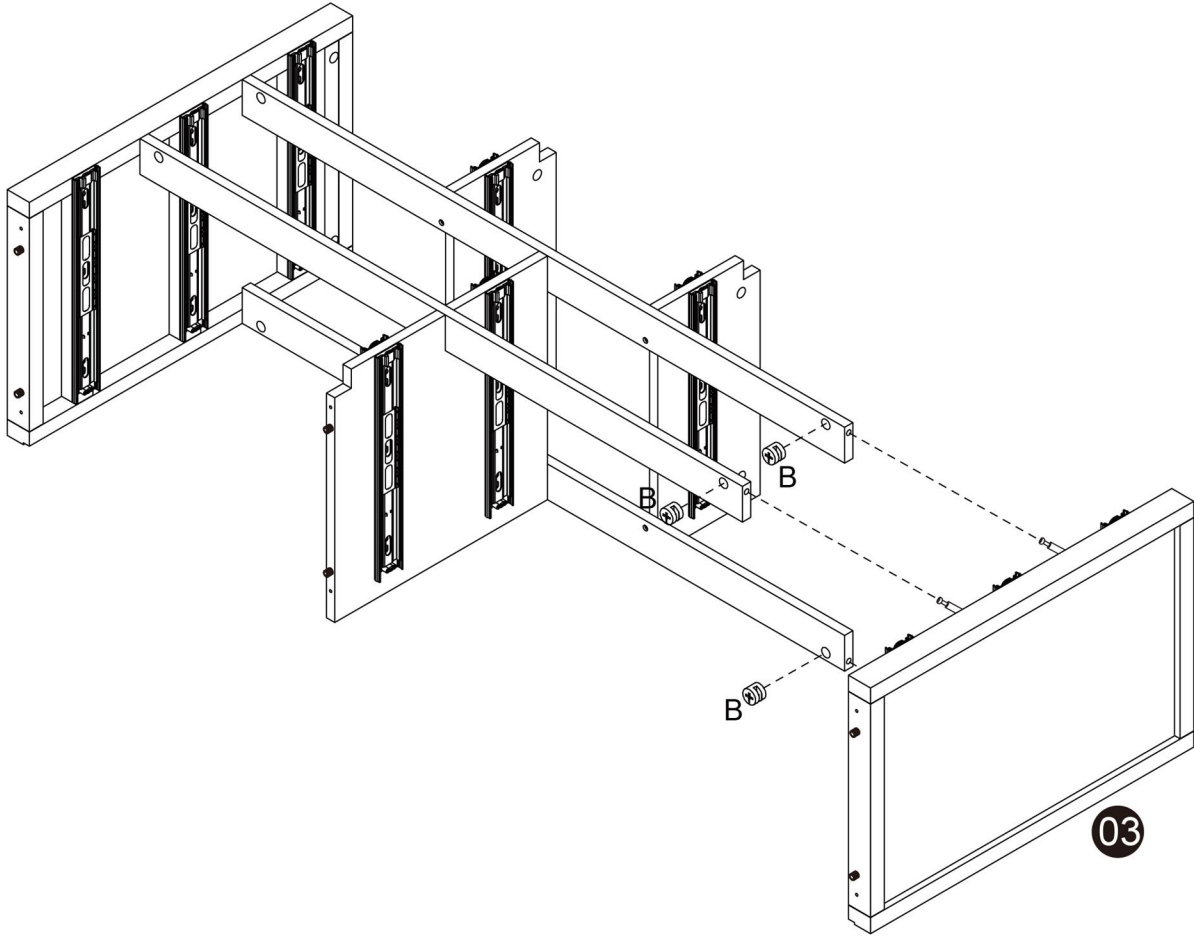
B  3 pcs






**Step 7** Attach Right Side Panel.

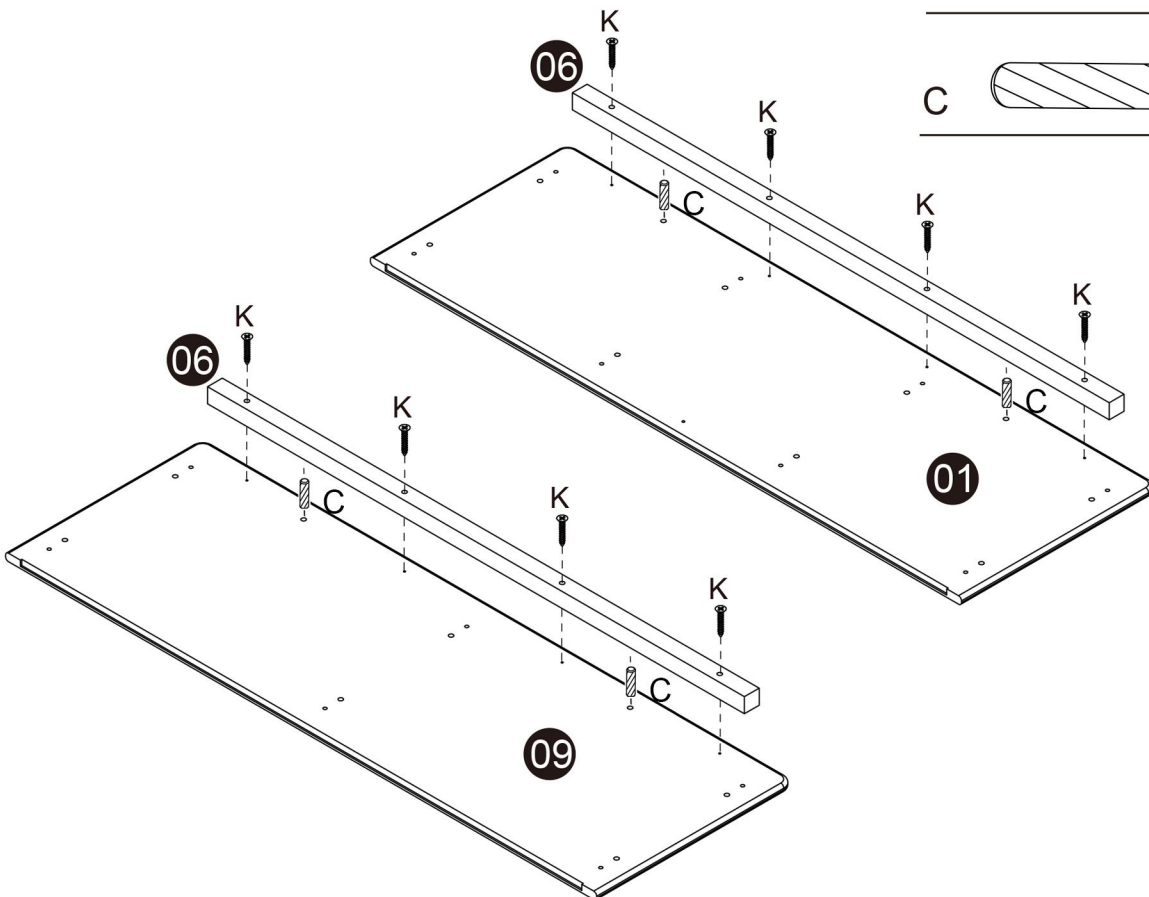
B  3 pcs



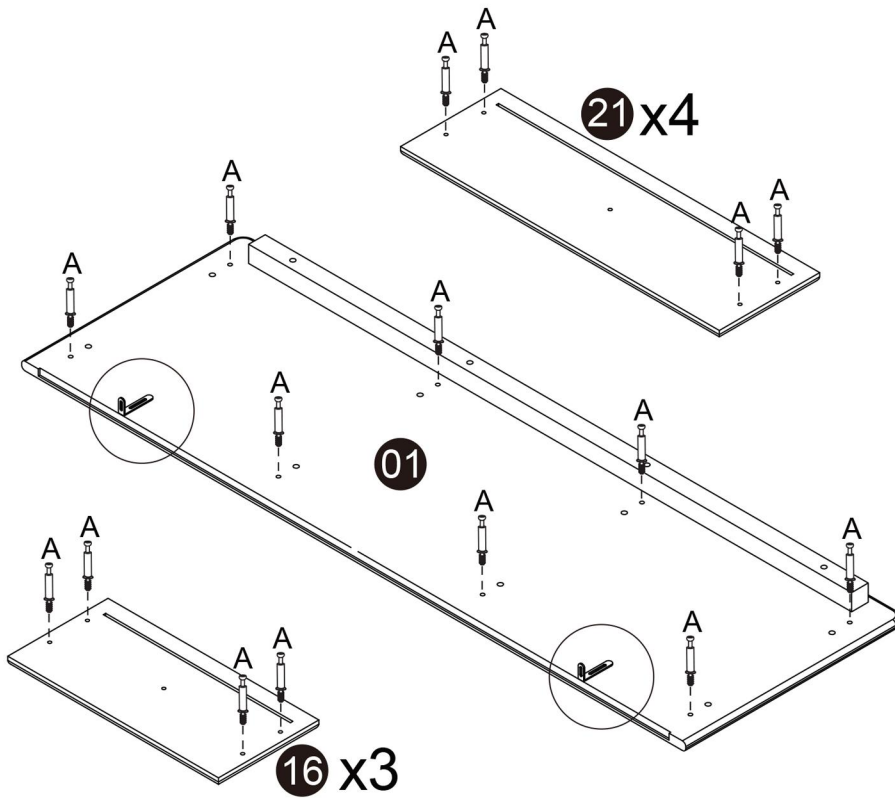
**Step 8** Attach Top Cross Rails.

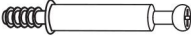
K  8 pcs

C  4 pcs



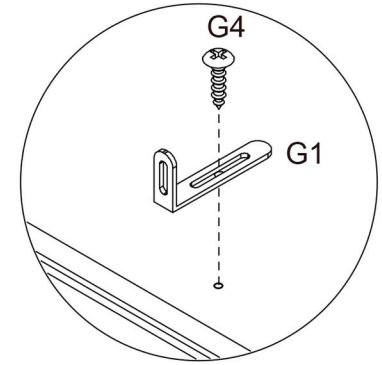
## Step 9 Attach CAM Bolts.



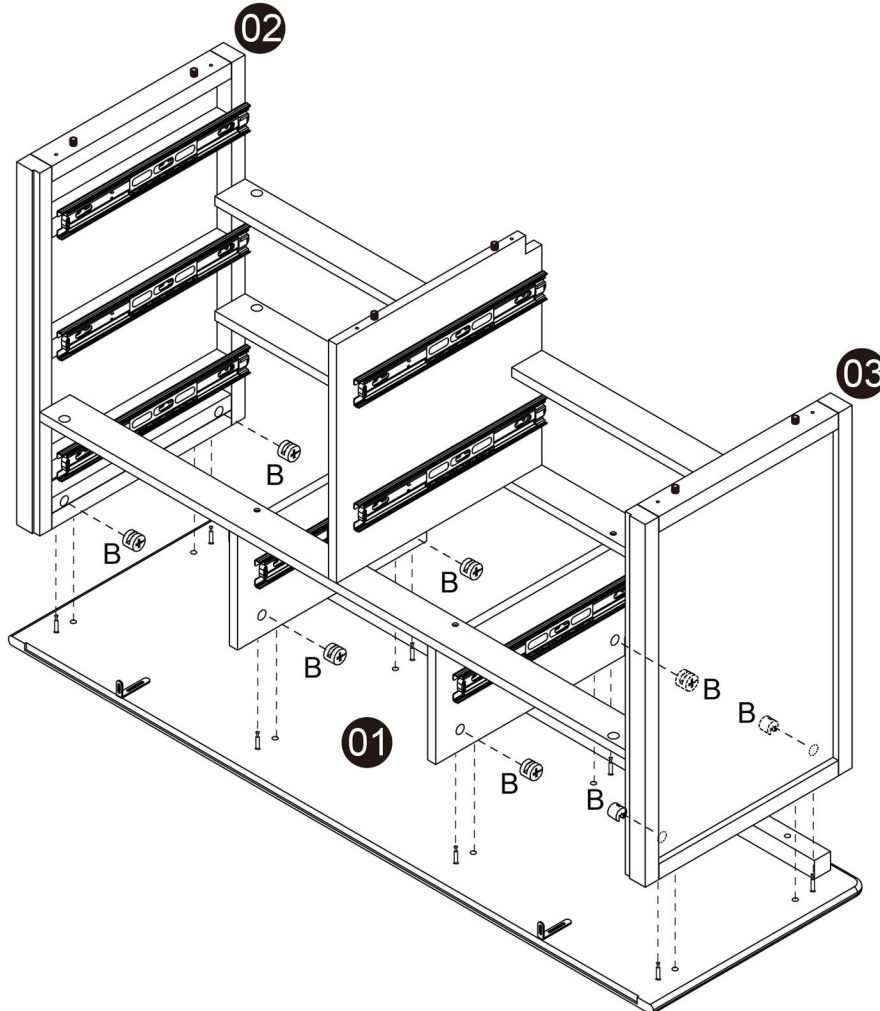
A  36 pcs

G1  2 pcs

G4  2 pcs



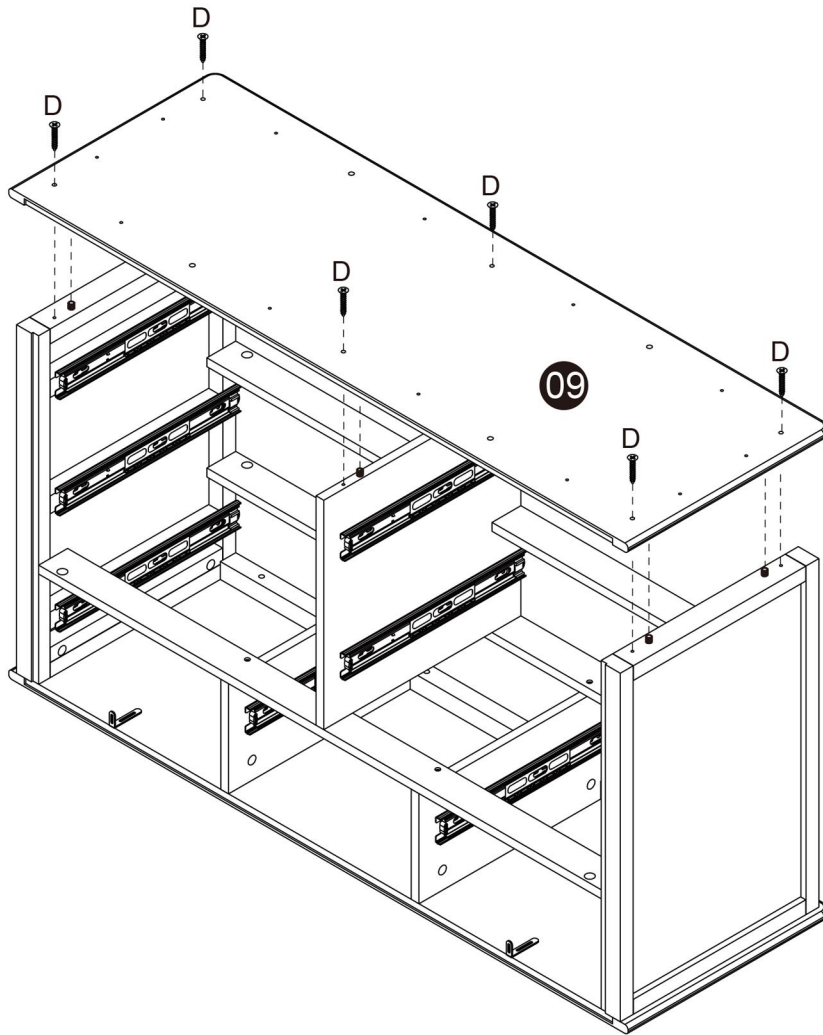
## Step 10 Attach Side Panels to the Top Panel.




B  8 pcs

# Step 11 Attach the Bottom Panel.

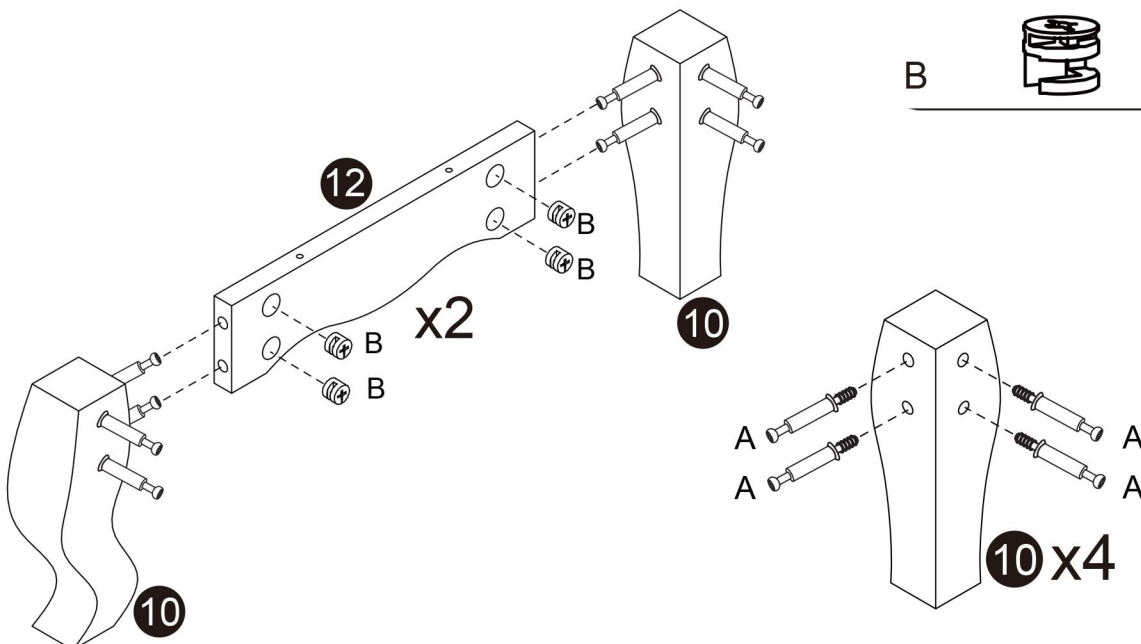
D  6 pcs





# Step 12 Attach CAM Bolts. Attach Side Plinths to Legs.

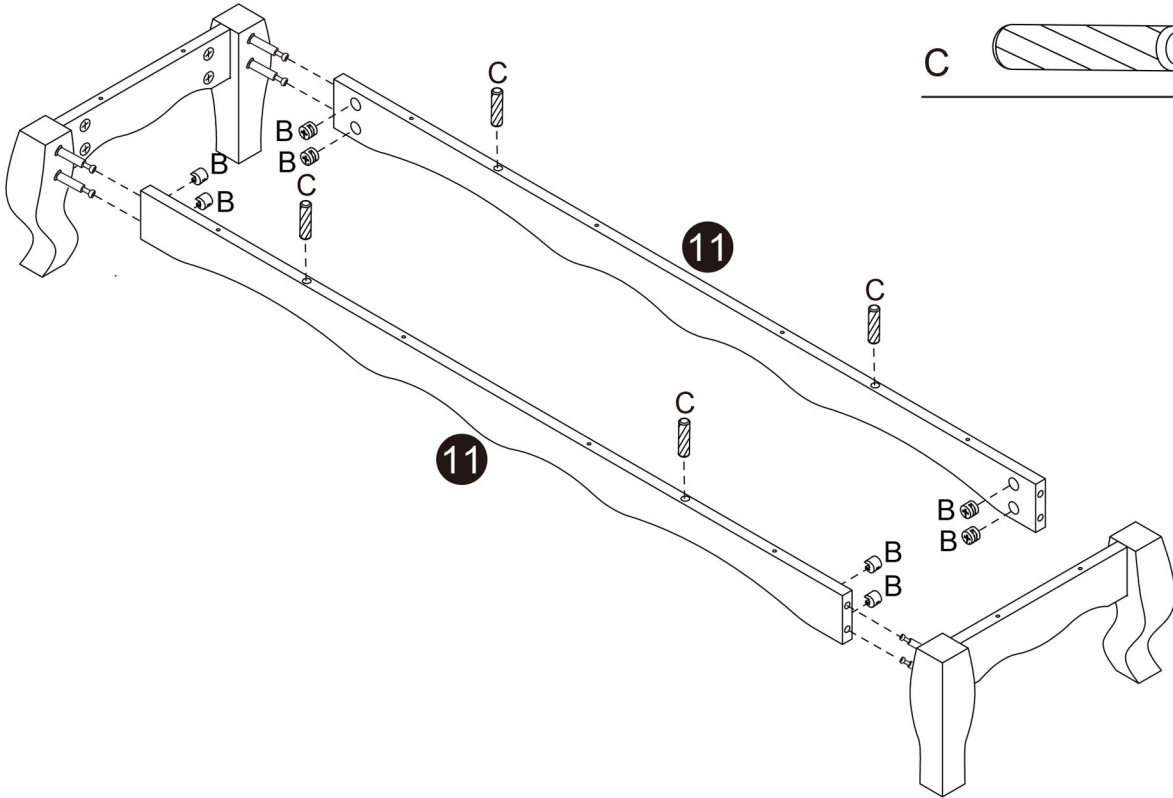
A  16 pcs

B  8 pcs





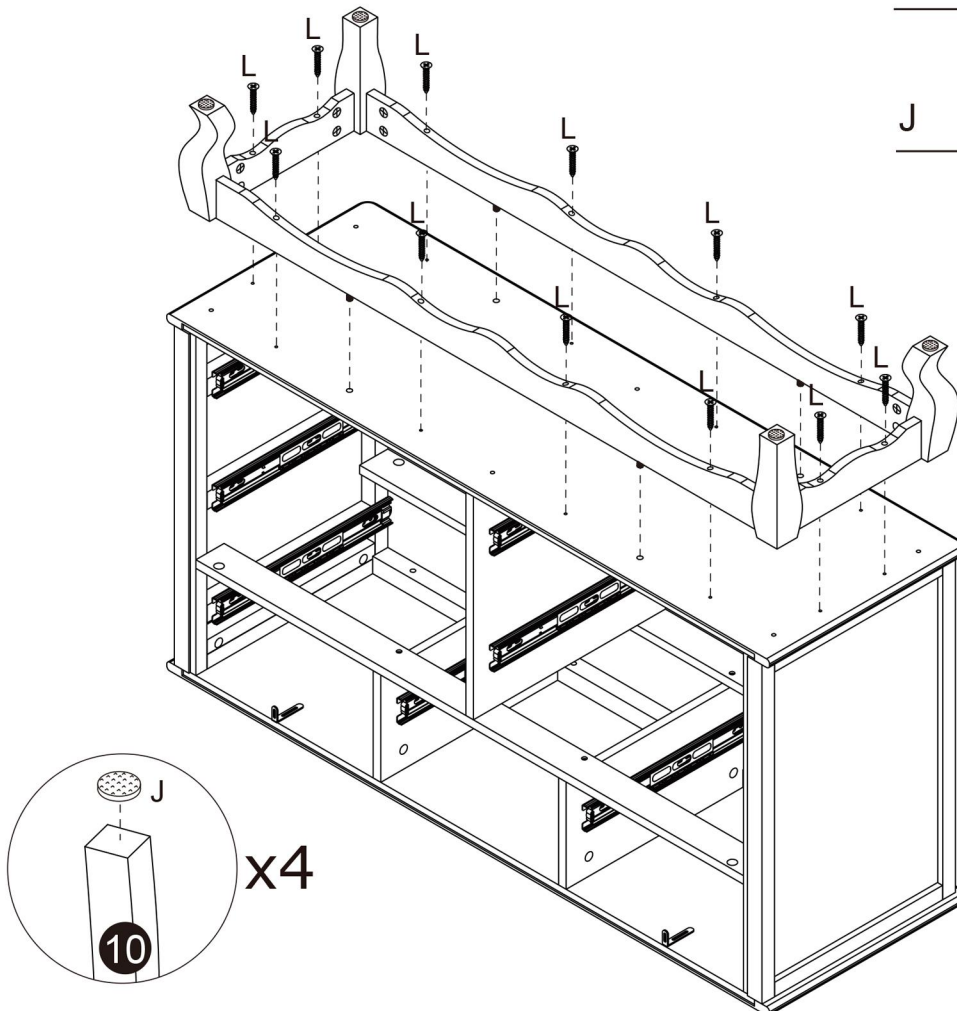
### Step 13 Attach Long Plinths.

- B  8 pcs
- C  4 pcs



### Step 14 Attach the Base to the Cabinet.

- L  12 pcs
- J  4 pcs



**Step 15** Attach Small Drawer Side Panels to Drawer

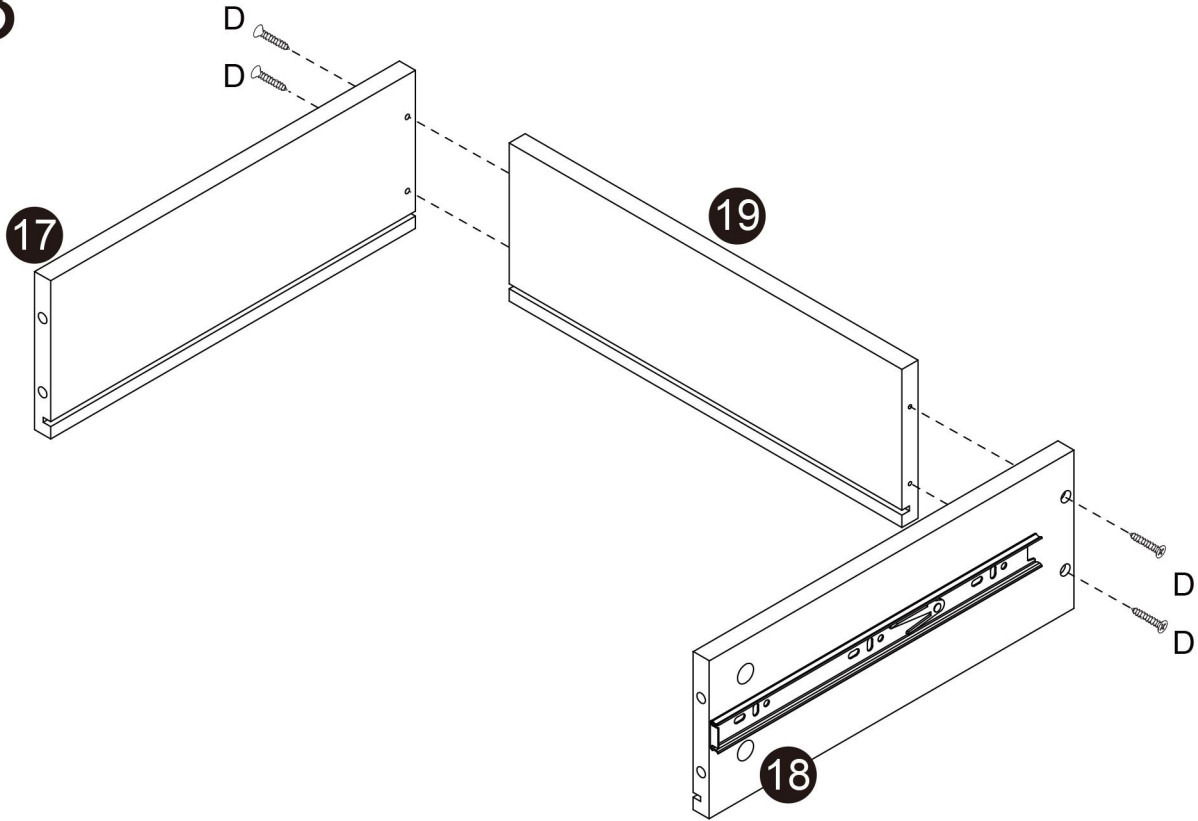


D

12 pcs

x3

End Panels



**Step 16** Attach Large Drawer Side Panels to Drawer

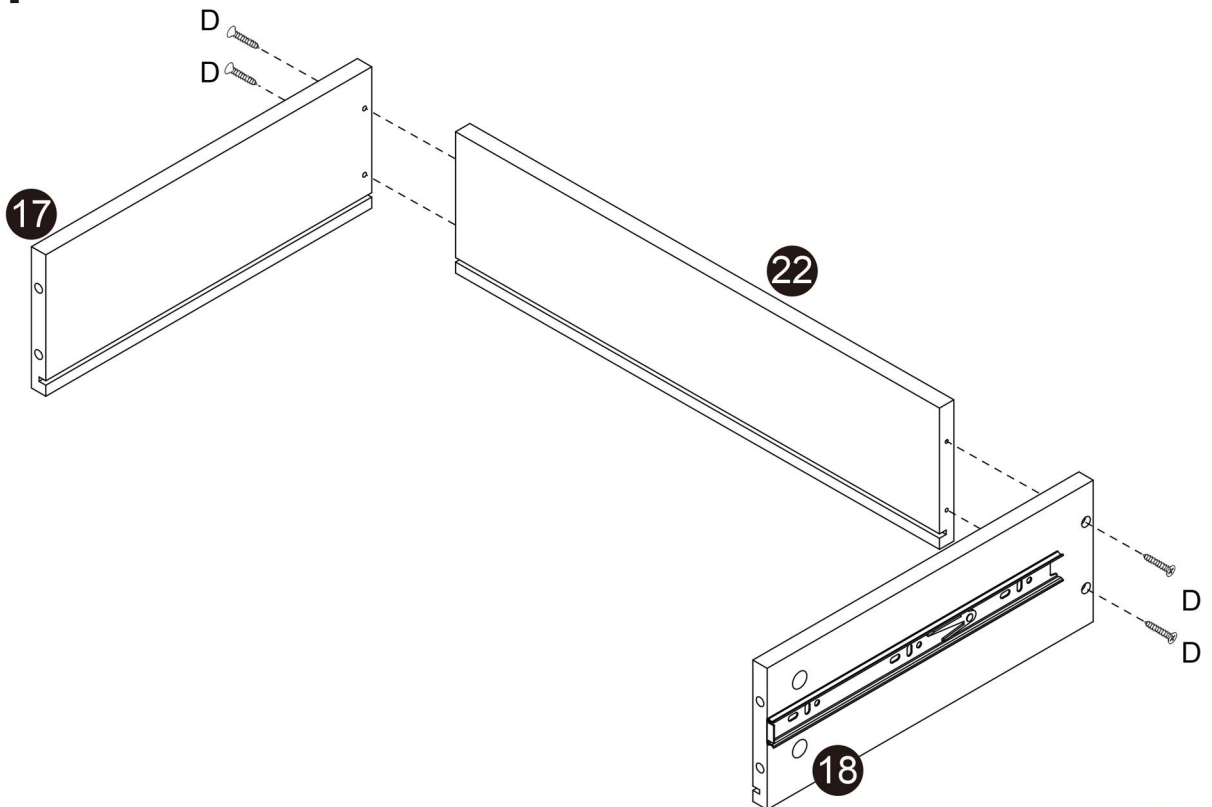


D

16 pcs

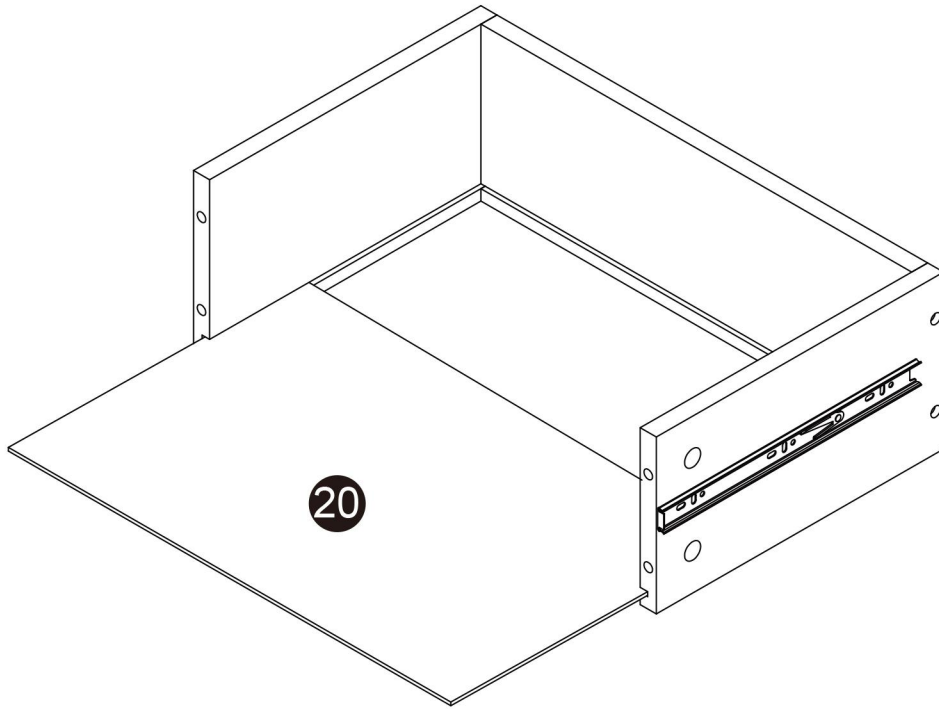
x4

End Panels



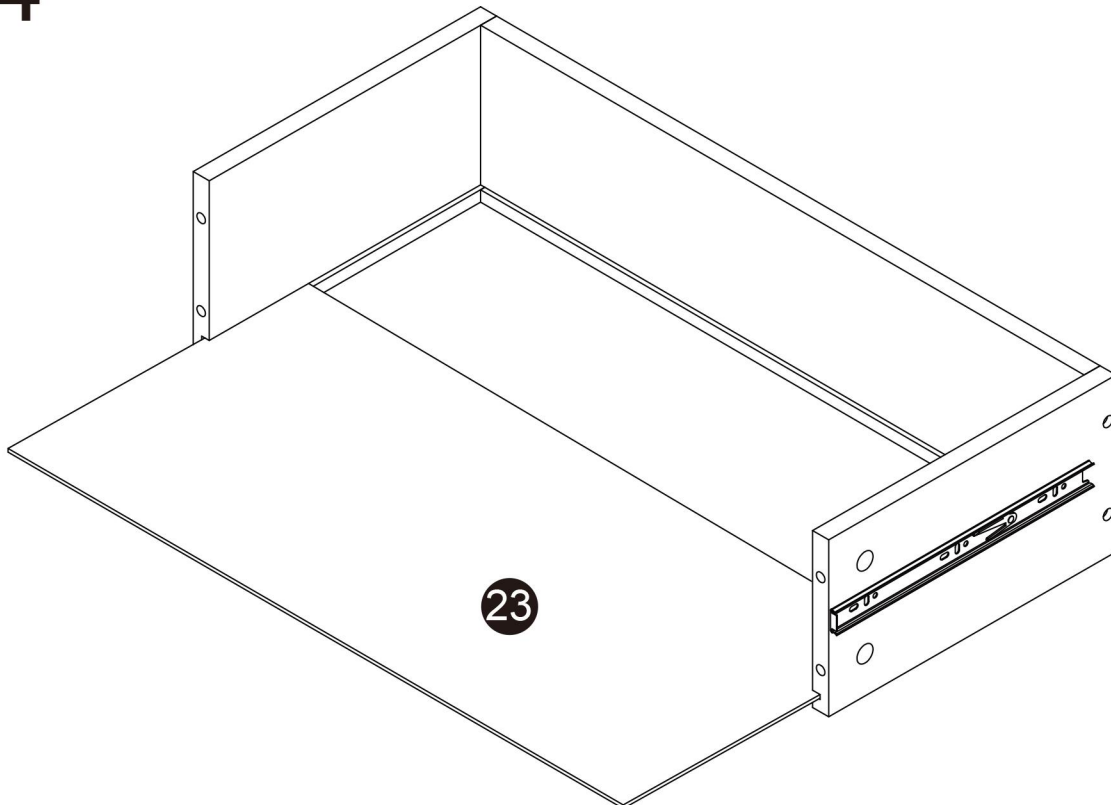
**Step 17** Put Small Drawer Base Panels into drawers.

x3



**Step 18** Put Large Drawer Base Panels into drawers.

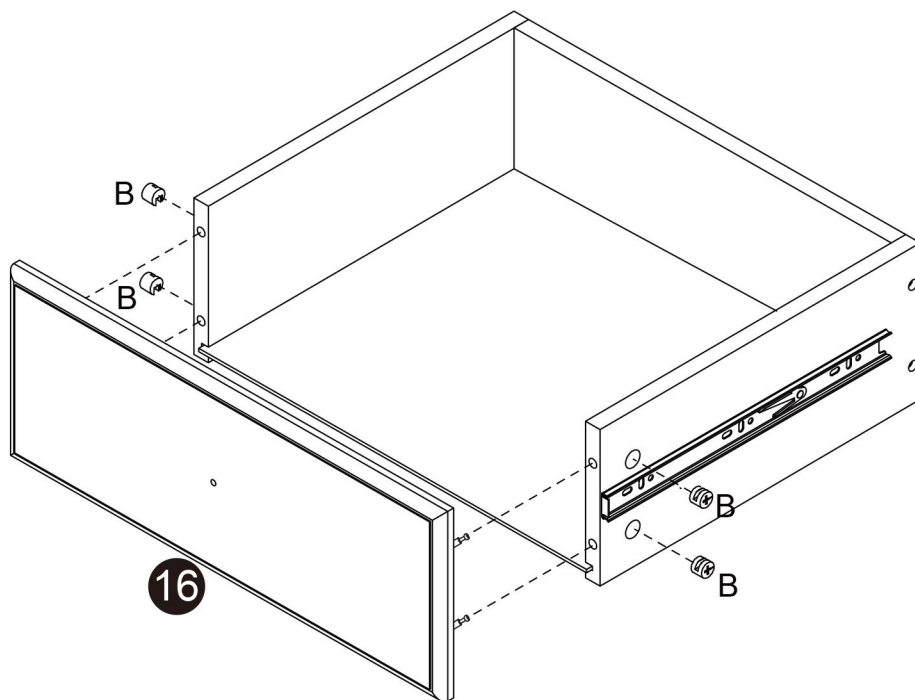
x4



**Step 19** Attach Small Drawer Front Panels.

B  12 pcs

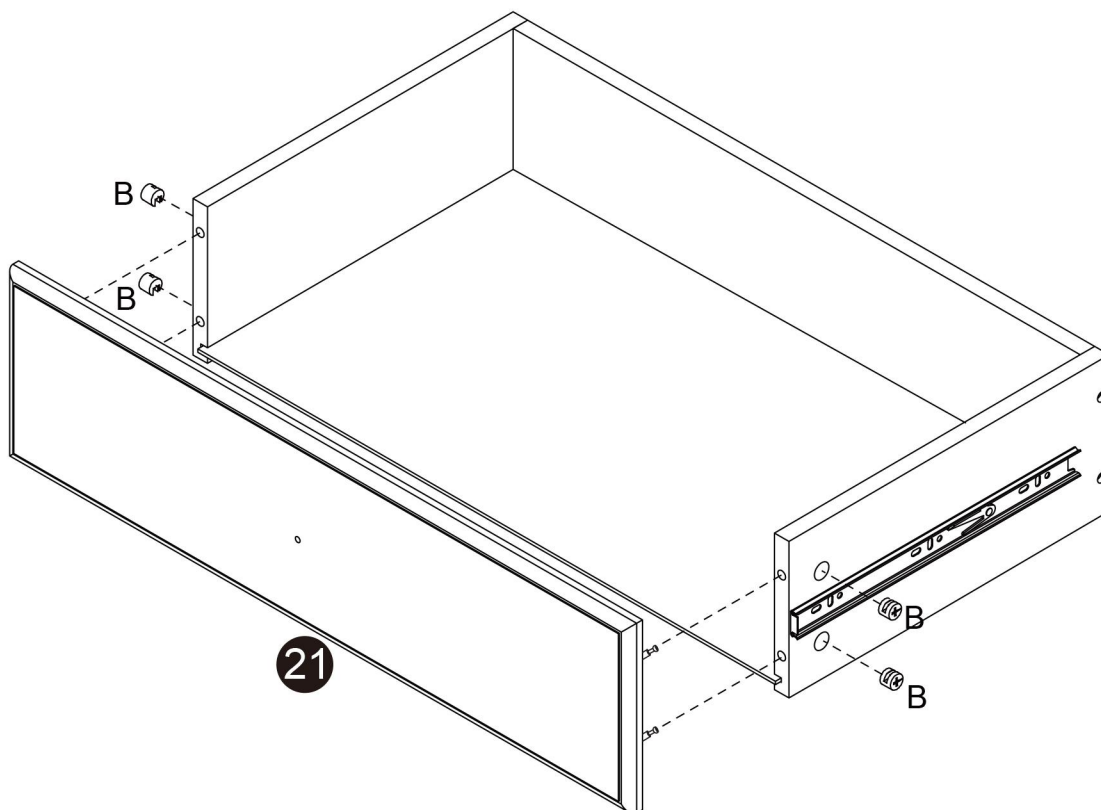
x3



**Step 20** Attach Large Drawer Front Panels.

B  16 pcs


x4




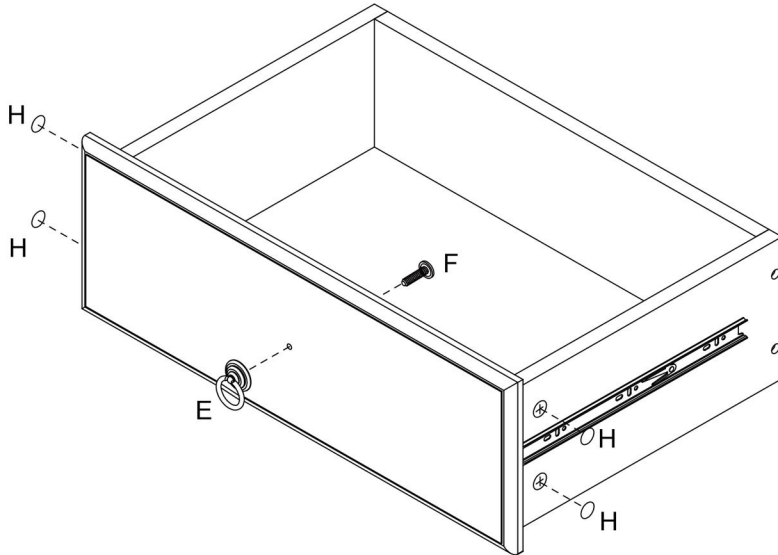
**Step 21** Screw Knobs.

x3

F  3 pcs


H  12 pcs


E  3 pcs




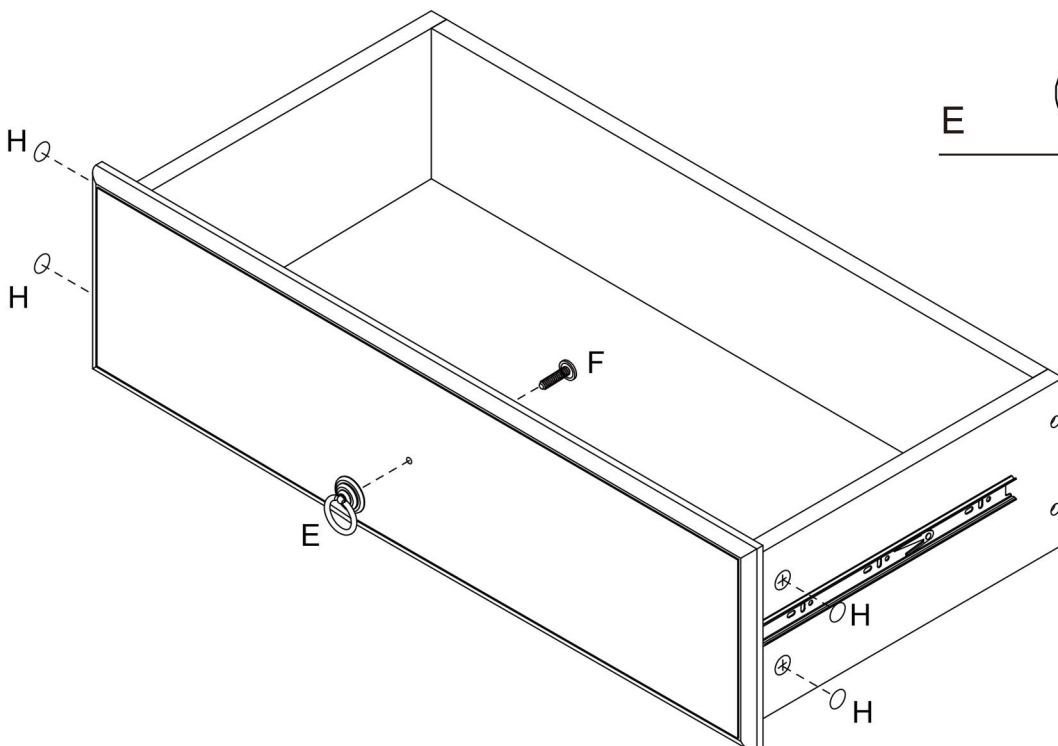
**Step 22** Screw Knobs.

x4

F  4 pcs


H  16 pcs

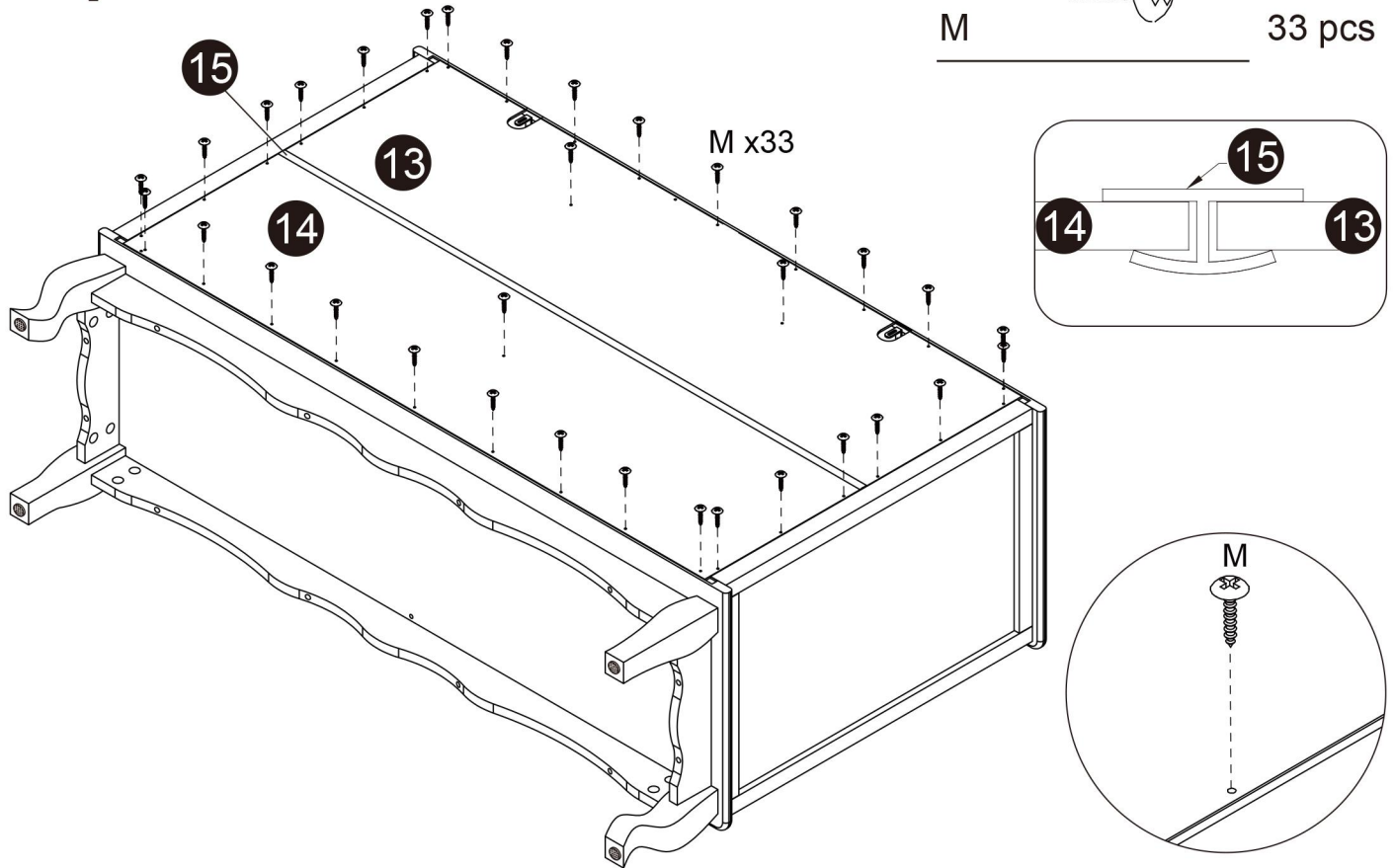
E  4 pcs



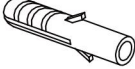


## Step 23 Attach Back Panels.

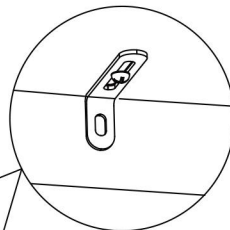
M  33 pcs



## Step 24

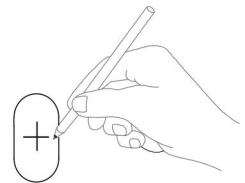
G2  2 pcs

**Warning:**  
Always ensure the area to be drilled is  
free from hidden electrical wires,  
water and gas pipes.

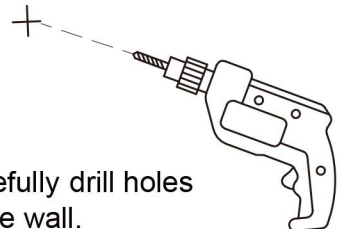


In the final position the cabinet is to be used, place it flat against the wall. From underside of the top carefully mark the wall with a sharp pencil, dead-centre of the holes in the short legs of the metal Anti-tilt Bracket.

I.

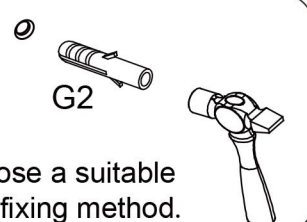


II.

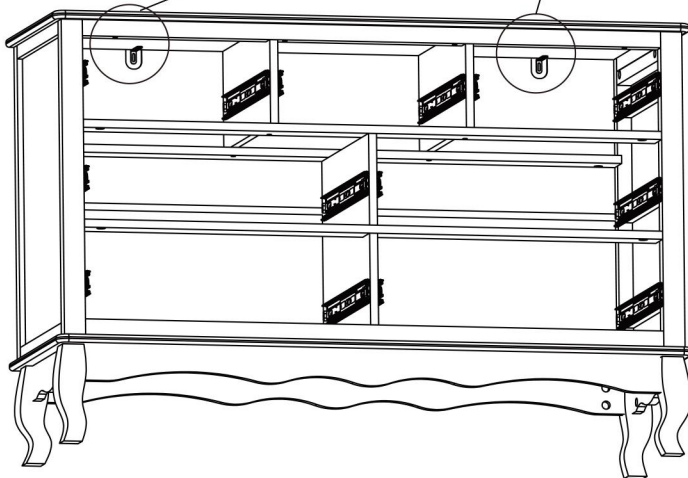


Carefully drill holes in the wall.


III.

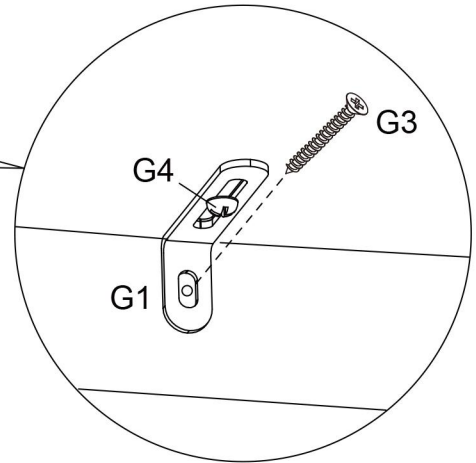
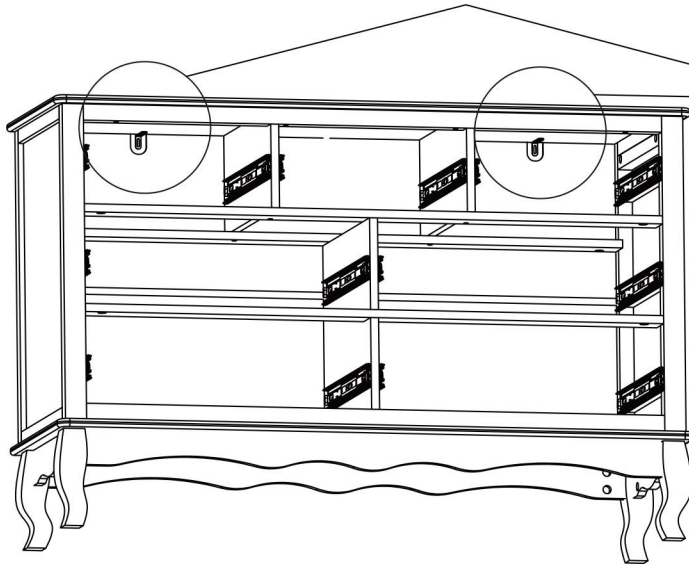


Choose a suitable wall fixing method.



## Step 25

G3  2 pcs



Hold cabinet firmly against the wall. If necessary, loosen screw (G4) a little and push each metal bracket (G1) until touching the wall. Screw into your wall fixings making sure brackets are firm, finally re-tighten screws (G4).

## Step 26 Put Drawers into the Cabinet.

