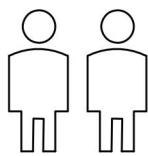


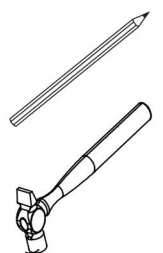
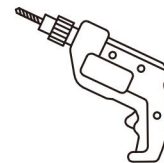
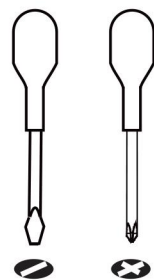
Amelie Console



Up to 1 hour
assembly time



Two person
assembly



IMPORTANT

ASSEMBLY TIP

Before you begin , it's best to identify all of the parts and fittings to build your table. We advise laying these out on the clean and flat floor to check you have everything , and to familiarise yourself with all of the parts and fittings before building.

TOP TIP

We recommend that you assemble the table in the room you'd like it to be located . This will help prevent any risk of damage to the table whilst moving it .

SAFETY AND CARE

1. Do not stand on your product. Pregnant women should take additional care when using this product. Do not leave the child unattended. Children should always be under direct adult supervision whilst using this product. Always use on firm level ground, ensuring all legs remain in contact with the ground.
2. It's important to ensure children and animals are kept away from the assembly area, as there are small components used in this product which could present a choking hazard. All plastic and wrapping materials should also be kept away from children and animals to prevent any risk of suffocation.

HELP AND SUPPORT

Please contact our customer service team on 0113 519 0311 if you have any questions or issues with your purchase.

RECYCLING

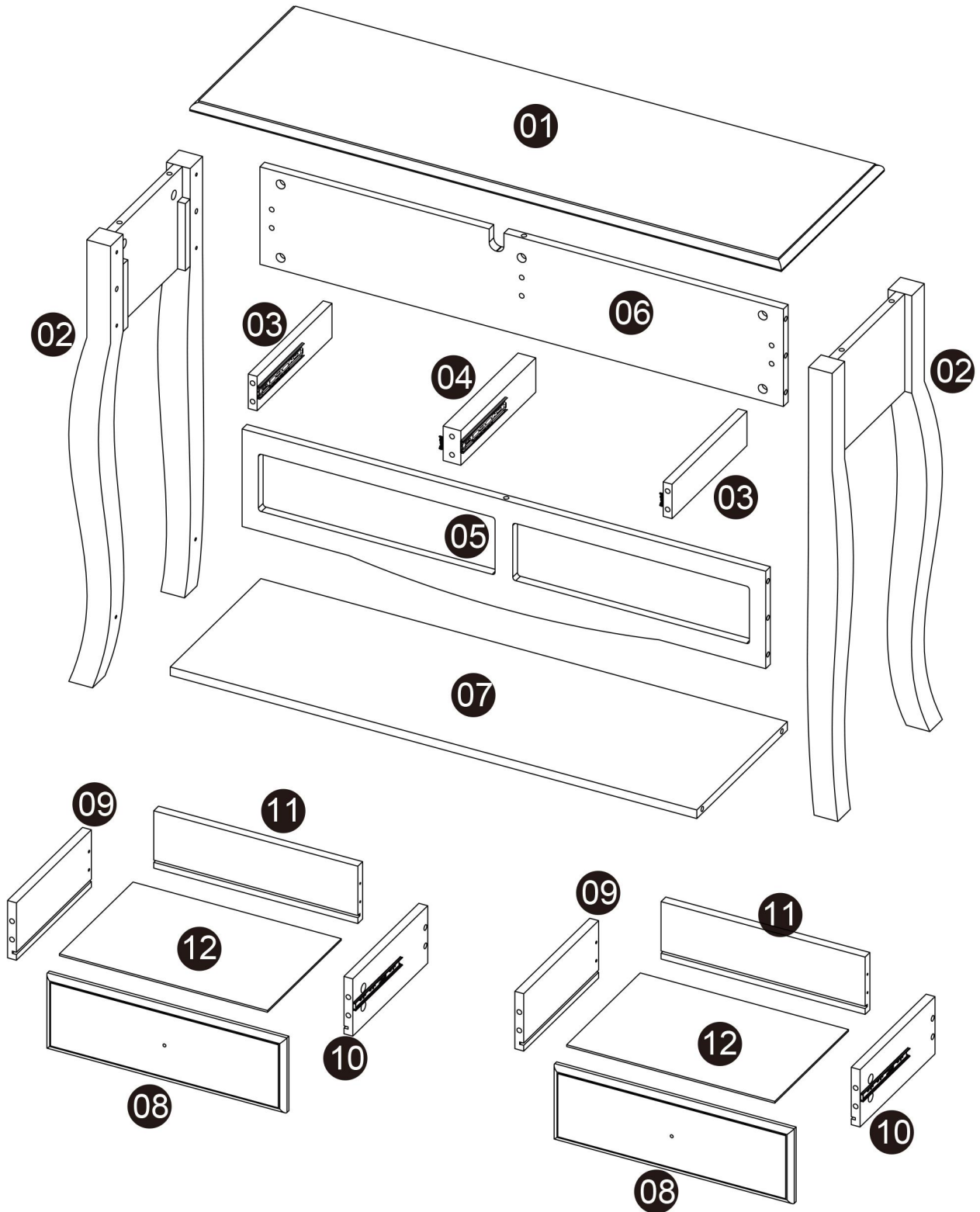
Please ensure that packaging is disposed of in a safe and environmentally friendly way, and recycle where possible. Please keep your assembly instructions safe to refer back to in the future.

CARE AND MAINTENANCE:

1. Only use clean , colourless sponge or cloth to avoid any colour transfer or smearing , do not use bleach or abrasive cleaners as they may damage the chest top over time.
2. Do not use a very wet cloth or allow any liquid to contact with the chest for a long period of time . Wipe any spillage immediately.
3. Do not scrub or rub the surface when cleaning.
4. Do not drag the chest when moving , lift it off the floor instead.
5. Use a placemat or a coaster when putting hot items (e . g . hot drinks and dishes) on the chest surface.
6. It is not recommended to place the item next to sources of heat such as radiators , fires or directly exposed to sunlight.
7. Regularly check all fixings to ensure none have come loose . Re - tighten if necessary.
8. Avoid sharp items such as a screwdriver or any pointy tools.
9. Dispose of all packaging carefully and responsibly - recycle where possible.
10. Due to the delicate nature of this product , please gently place hard items onto the chest top to avoid damaging the surface.

Parts

Before you begin building your bed frame, please take a moment to read through the instructions and make sure that you have all the relevant parts listed on parts check list.






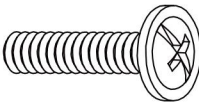
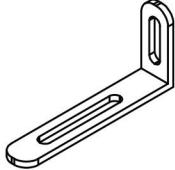
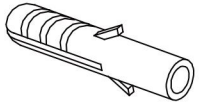

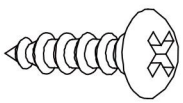
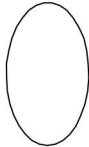
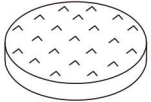


Parts Check List


No.	Part List	Qty	No.	Part List	Qty
1	Top Panel	1	7	Bottom Panel	1
2	Side Panels	2	8	Drawer Front Panels	2
3	Runner Support Side Rails	2	9	Drawer Left Side Panels	2
4	Runner Support Centre Rail	1	10	Drawer Right Side Panels	2
5	Front Plinth	1	11	Drawer End Panels	2
6	Back Plinth	1	12	Drawer Base Panels	2

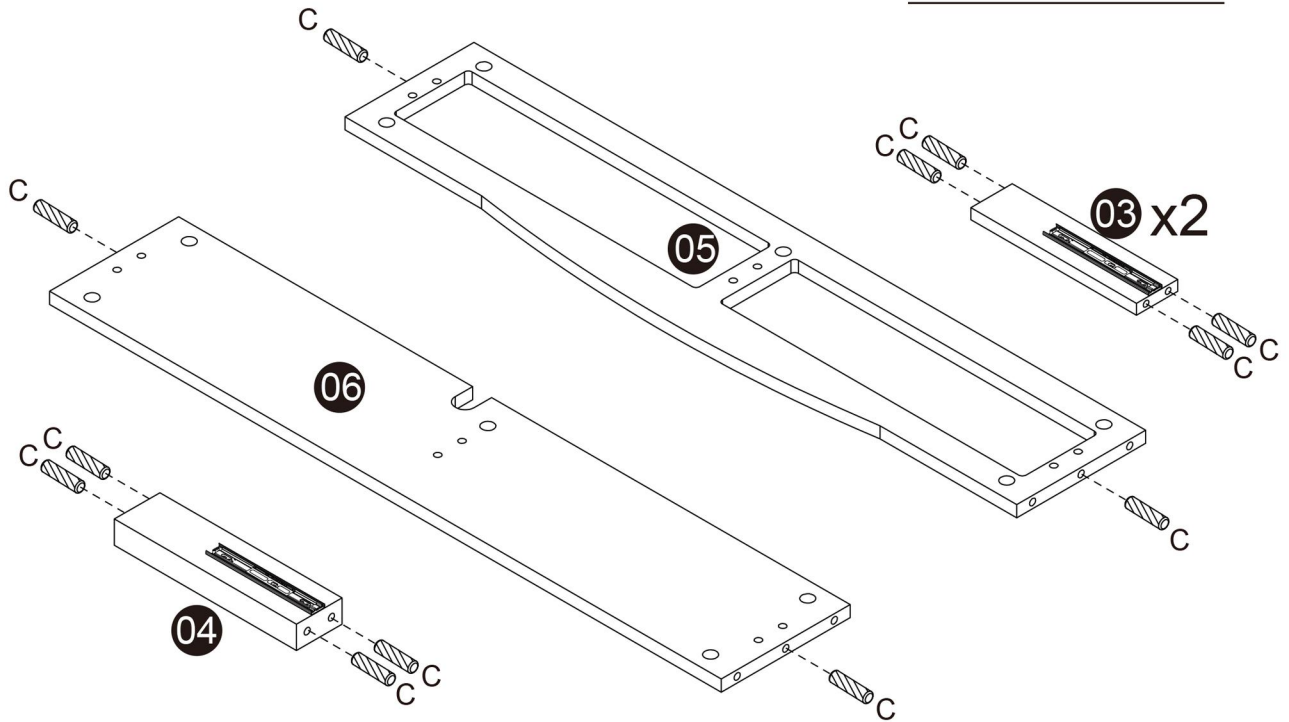
Fittings

Please check you have all the fitting listed below with you product.

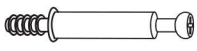
<p>A x26 + 1 extra</p>  <p>Cam Bolt (Ø4x40mm)</p>	<p>B x26 + 1 extra</p>  <p>Cam Lock</p>	<p>C x16 + 1 extra</p>  <p>Dowel (Ø8x30mm)</p>
<p>D x8 + 1 extra</p>  <p>Screw (Ø4x35mm)</p>	<p>E x2</p>  <p>Knob</p>	<p>F x2</p>  <p>Handle Bolt (M4x20mm)</p>
<p>G1 x1</p>  <p>Anti-tilt Metal Bracket</p>	<p>G2 x1</p>  <p>Expansion Bolts</p>	<p>G3 x1</p>  <p>Screw (Ø4x40mm)</p>
<p>G4 x1</p>  <p>Screw (Ø2.5x12mm)</p>	<p>H x8 + 1 extra</p>  <p>Sticker Cover (Ø20mm)</p>	<p>J x4</p>  <p>Flet Pads Ø30mm</p>


Step 1 Attach Dowels.

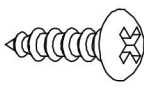
C  16 pcs

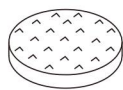


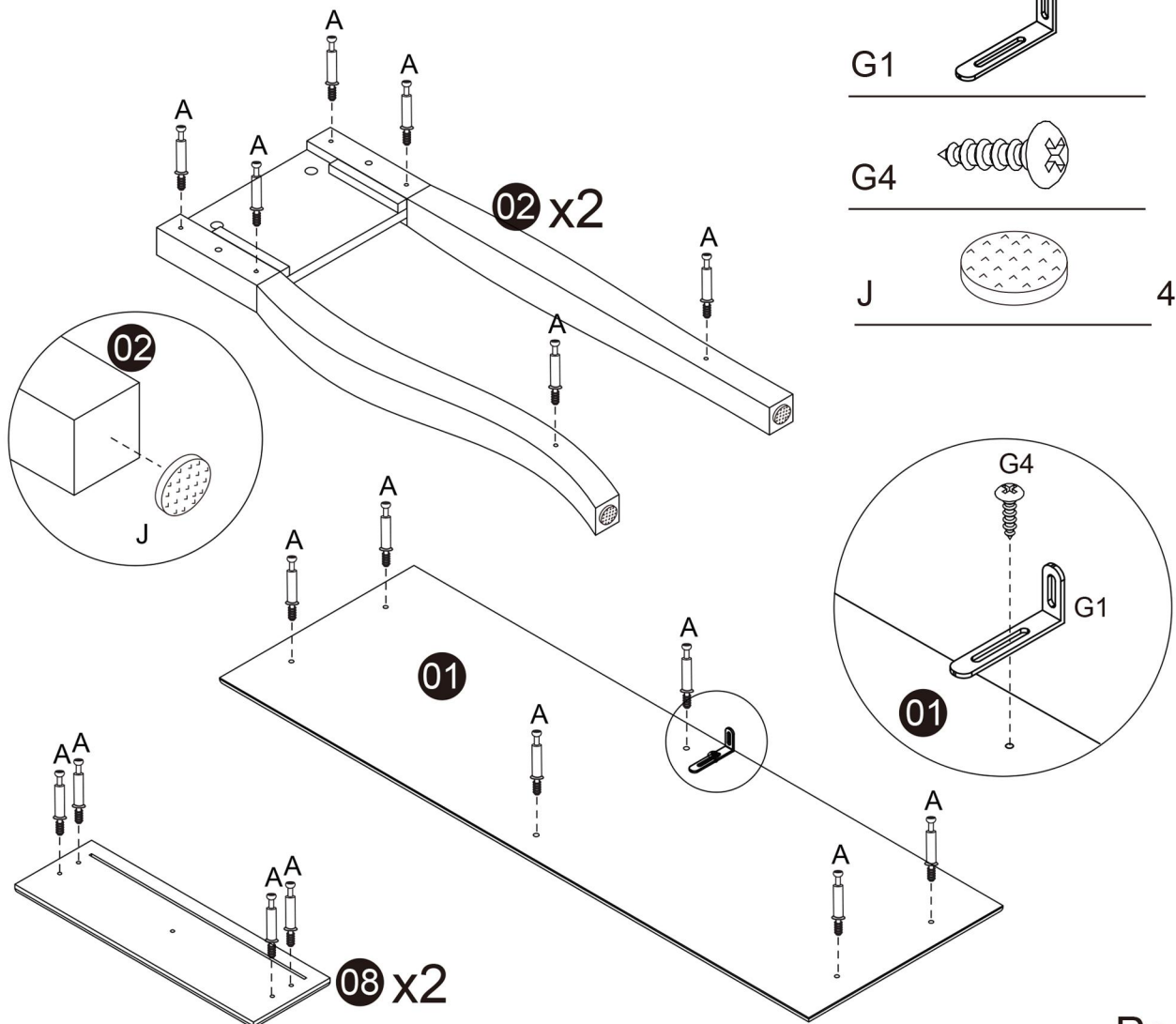
Step 2 Attach CAM Bolts and Anti-tilt Bracket.

A  26 pcs

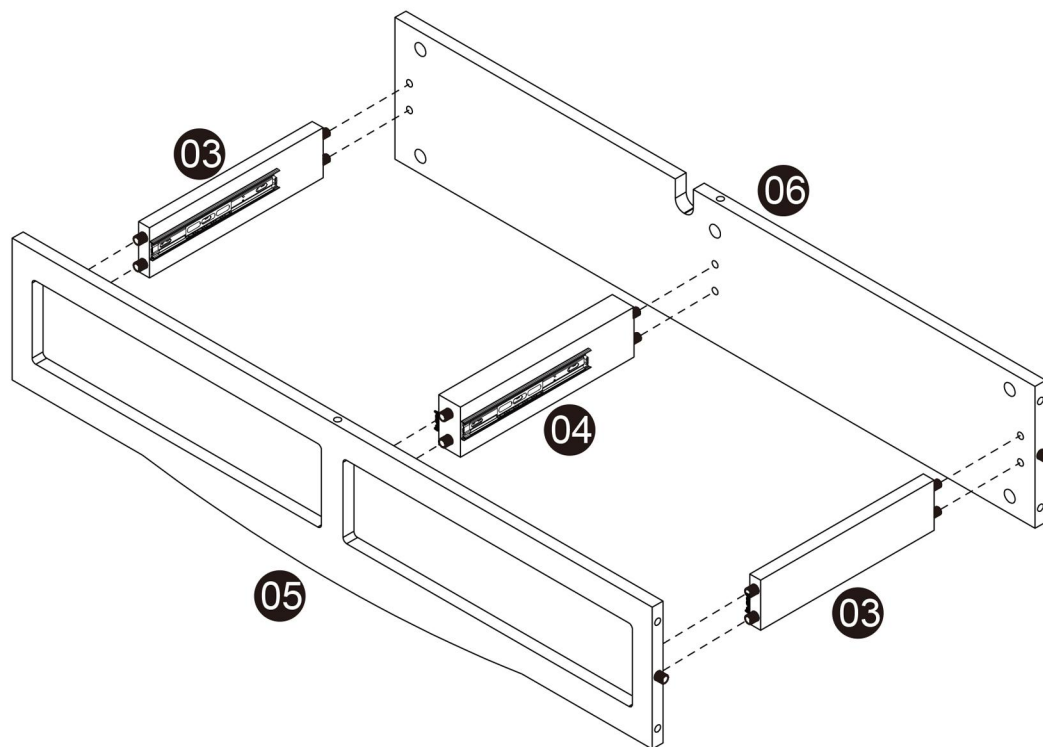
G1  1 pc

G4  1 pc

J  4 pcs

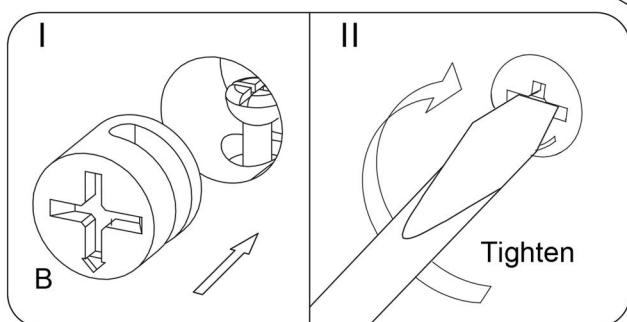
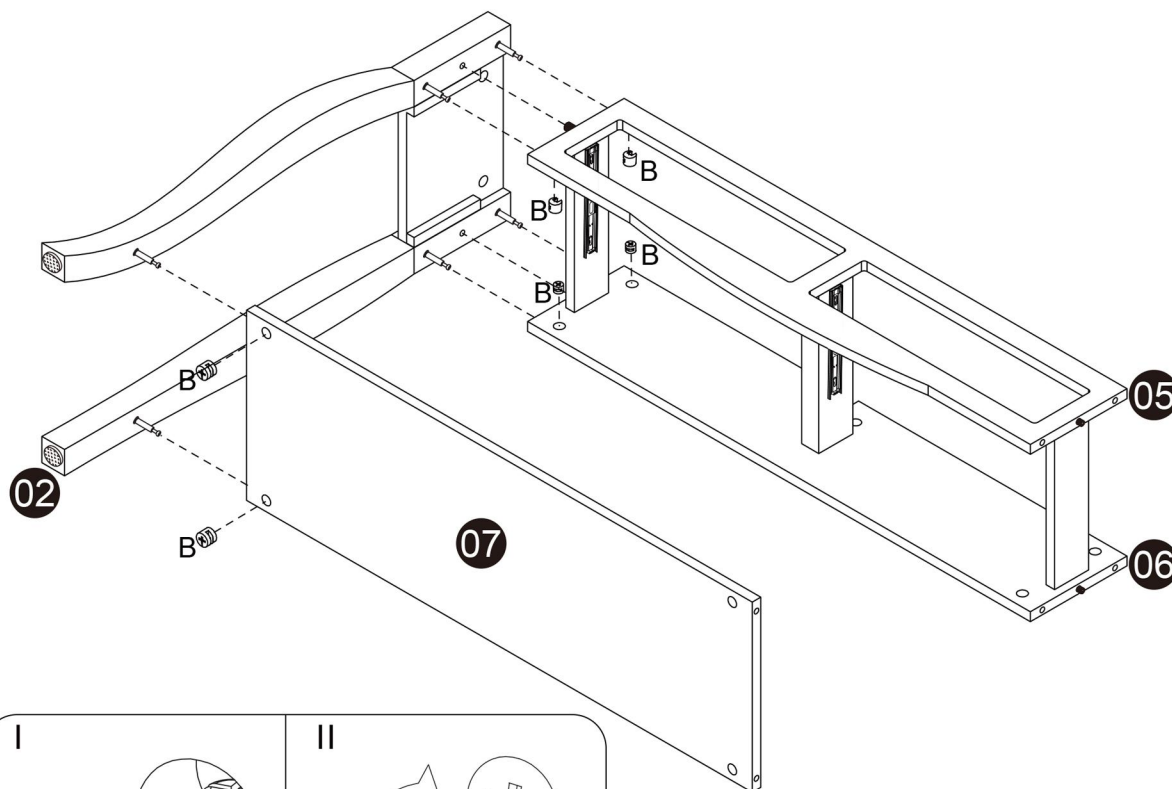


Step 3 Attach Runner Support Rail to Front and Back Plinth.



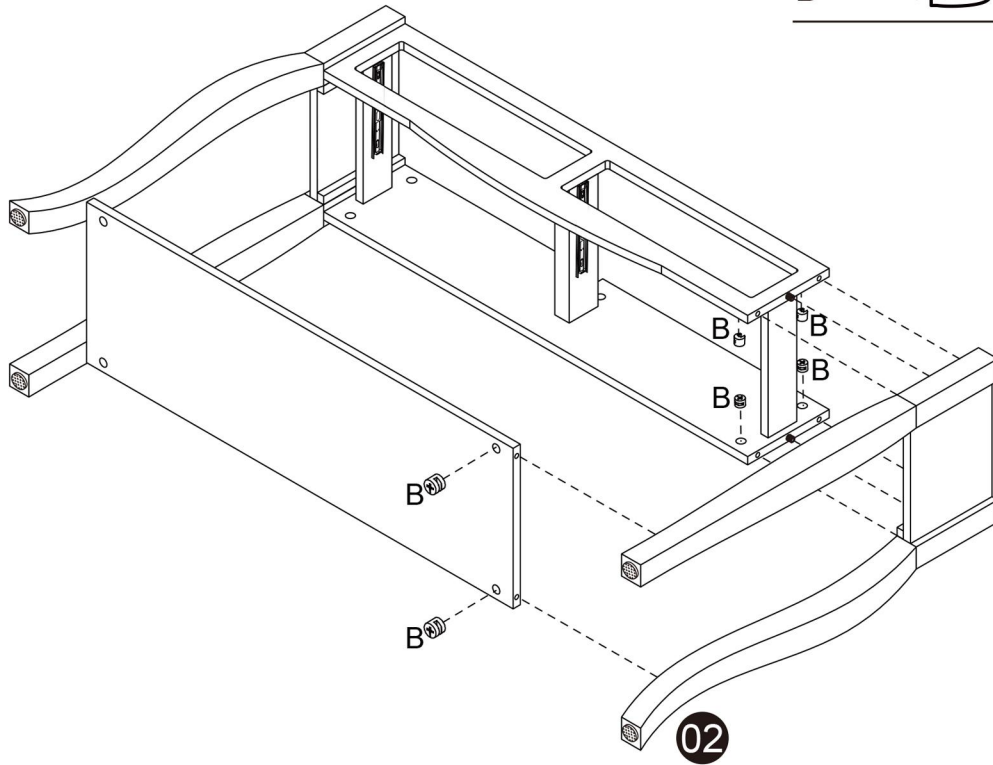
Step 4 Attach the Cabinet and Bottom Panel to the Side Panel.

B  6 pcs



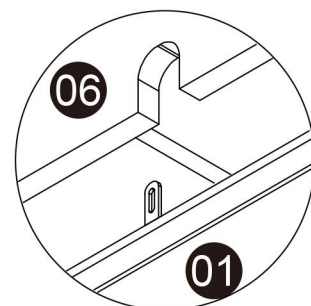
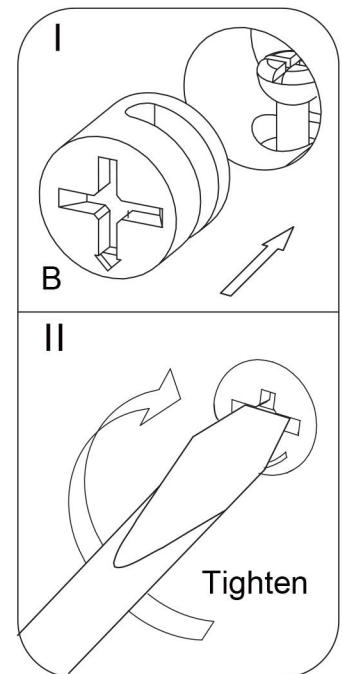
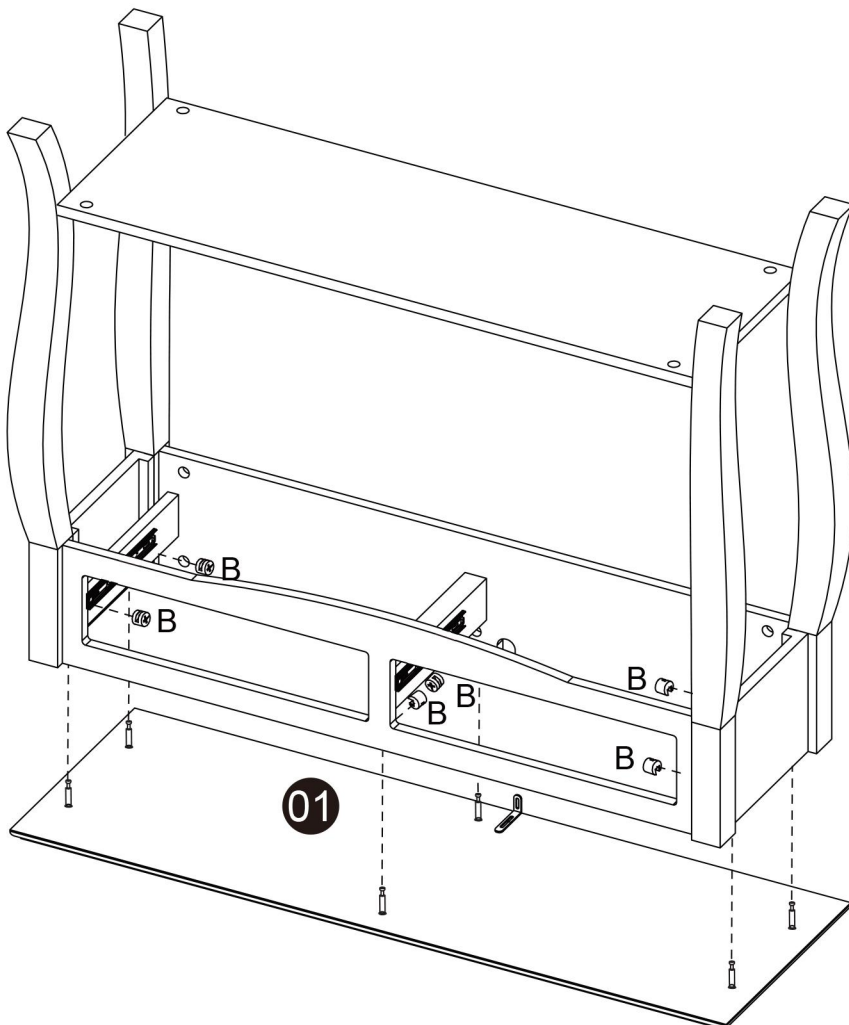
Step 5 Attach the other Side Panel.

B  6 pcs



Step 6 Attach the Top Panel.

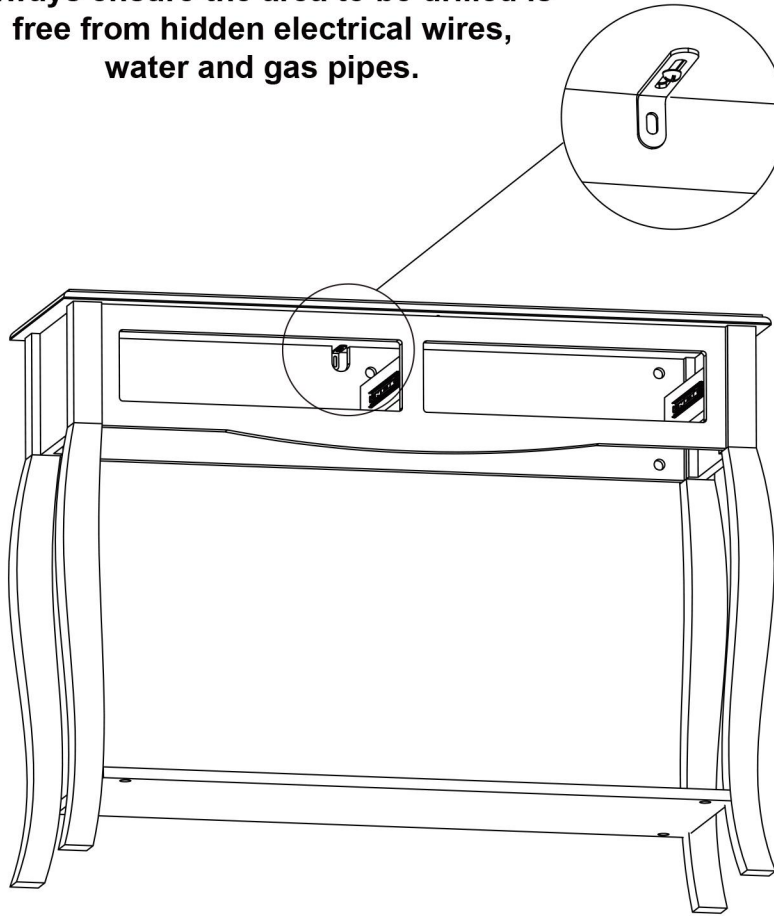
B  6 pcs



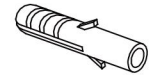
Step 7

Warning:

Always ensure the area to be drilled is free from hidden electrical wires, water and gas pipes.



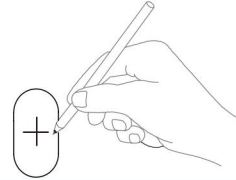
G2



1 pc

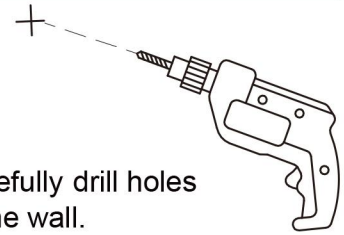
In the final position the cabinet is to be used, place it flat against the wall. From underside of the top carefully mark the wall with a sharp pencil, dead-centre of the holes in the short legs of the metal Anti-tilt Bracket.

I.



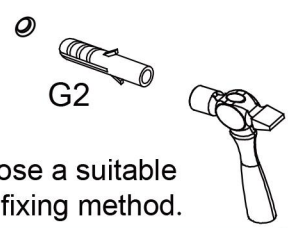
II.

Carefully drill holes in the wall.

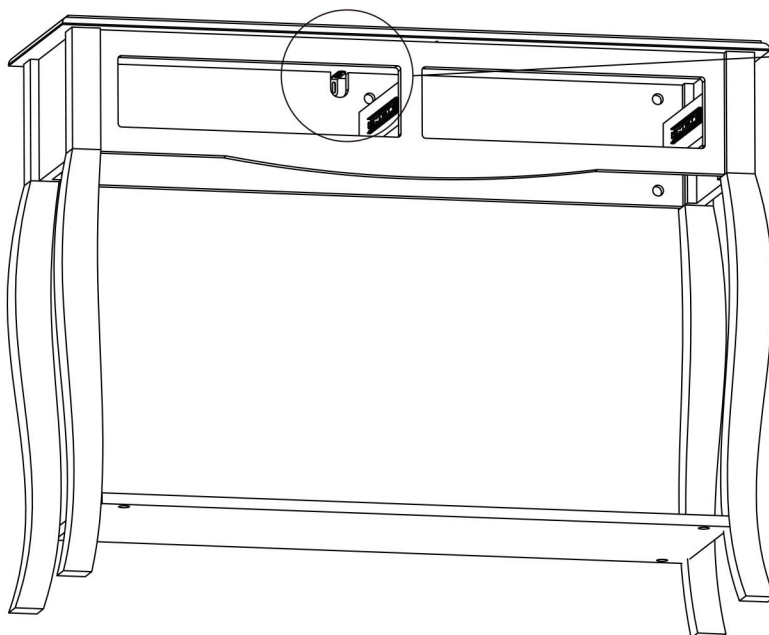


III.

Choose a suitable wall fixing method.



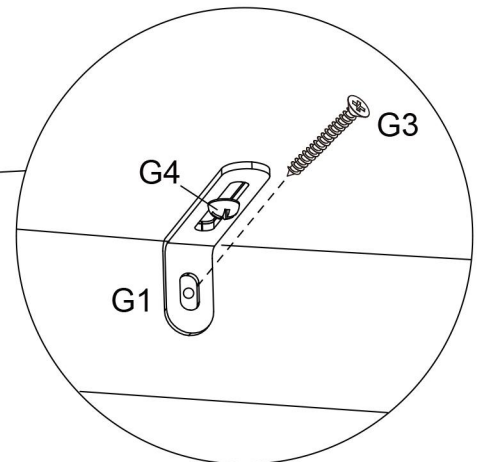
Step 8



G3



1 pc



Hold cabinet firmly against the wall. If necessary, loosen screw (G4) a little and push each metal bracket (G1) until touching the wall. Screw into your wall fixings making sure brackets are firm, finally re-tighten screws (G4).


Step 9

1. Attach Drawer Side Panels to Drawer End Panels.

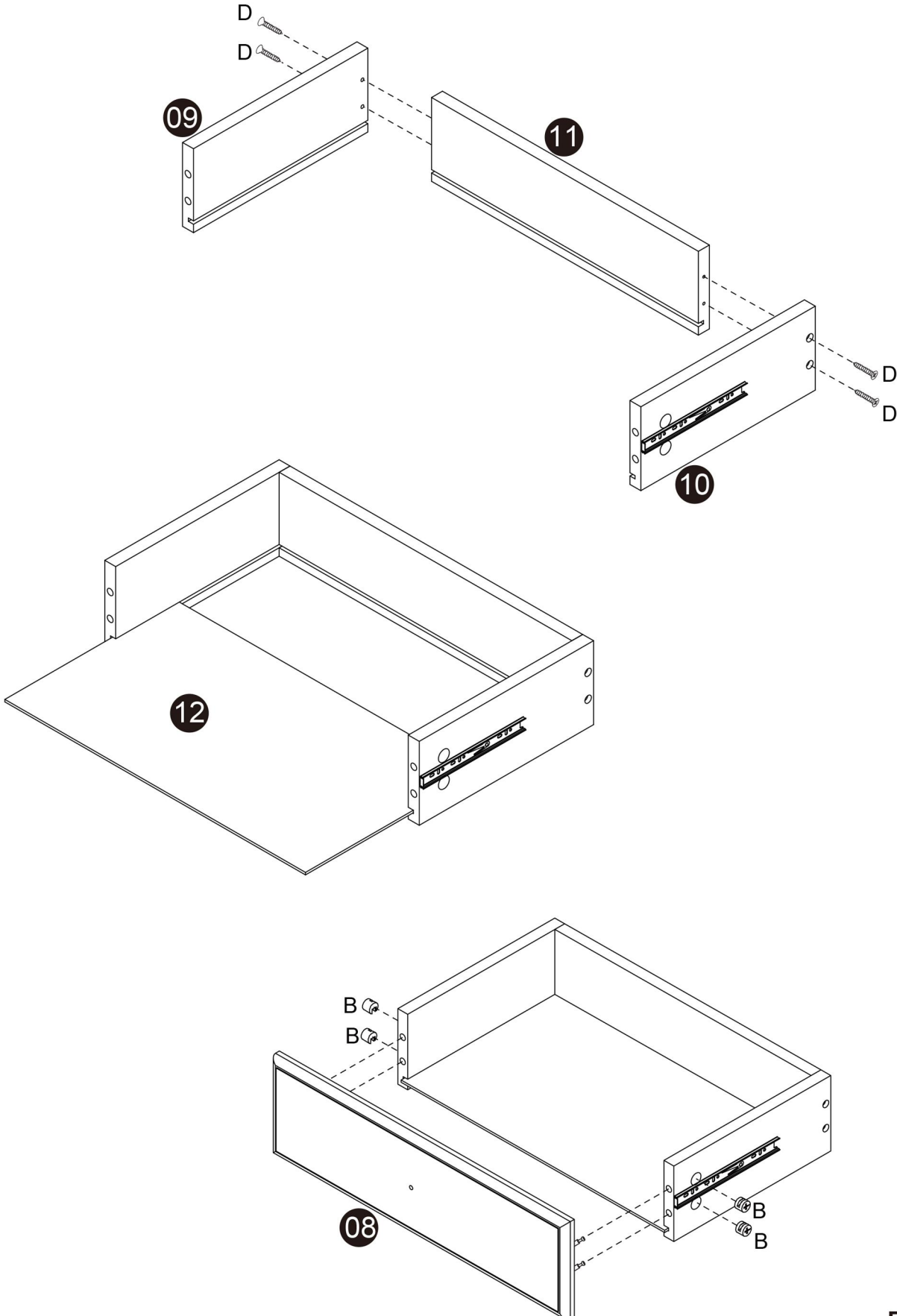
B  8 pcs

x2

2. Push Drawer Base Panel into Drawer.

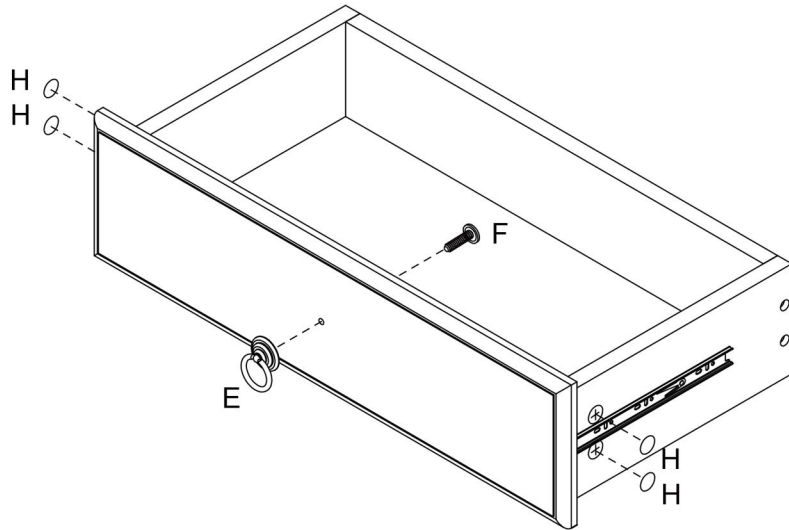
D  8 pcs


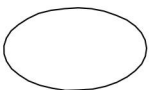

3. Attach Drawer Front Panel.



Step 10 Screw Knobs on the Drawer.

x2



- | | | |
|---|---|-------|
| F |  | 2 pcs |
| H |  | 8 pcs |
| E |  | 2 pcs |

Step 11 Push Drawers into the Table.

