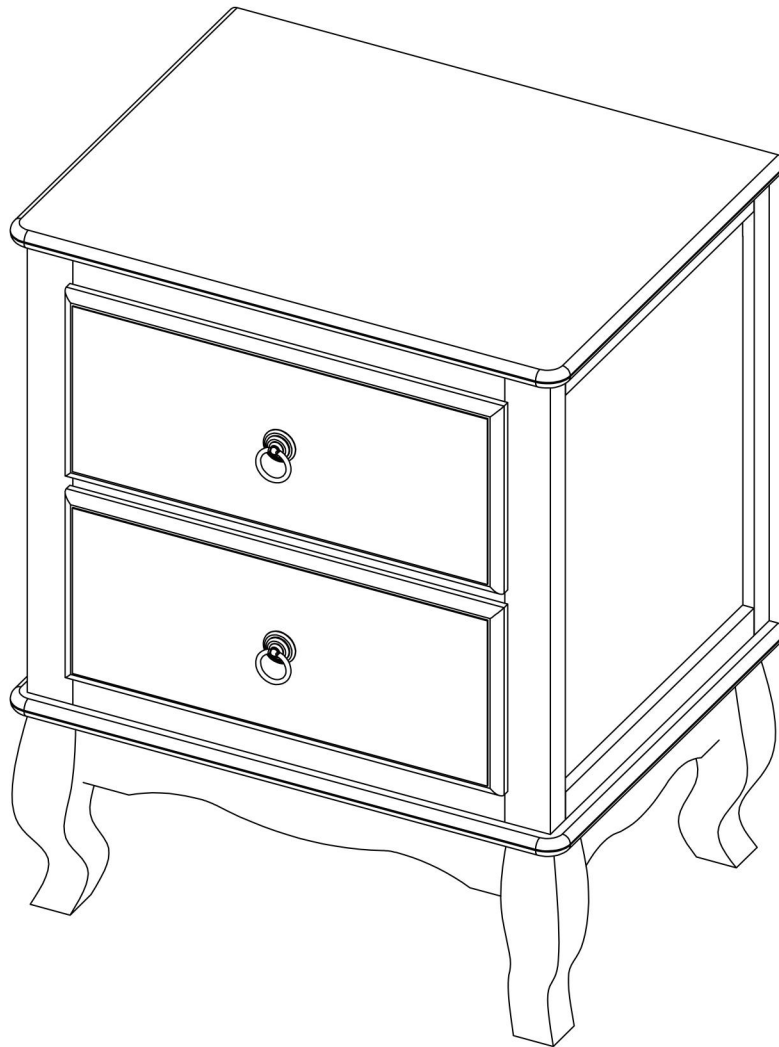
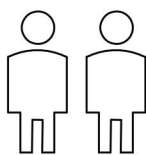


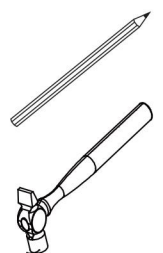
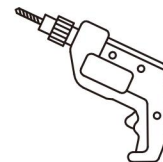
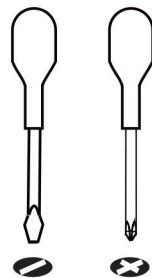
## Amelie Bedside



Up to 1 hour  
assembly time



Two person  
assembly



## **IMPORTANT**

### **ASSEMBLY TIP**

Before you begin , it's best to identify all of the parts and fittings to build your cabinet. We advise laying these out on the clean and flat floor to check you have everything , and to familiarise yourself with all of the parts and fittings before building.

### **TOP TIP**

We recommend that you assemble the cabinet in the room you'd like it to be located . This will help prevent any risk of damage to the cabinet whilst moving it .

### **SAFETY AND CARE**

1. Do not stand on your product. Pregnant women should take additional care when using this product. Do not leave the child unattended. Children should always be under direct adult supervision whilst using this product. Always use on firm level ground, ensuring all legs remain in contact with the ground.
2. It's important to ensure children and animals are kept away from the assembly area, as there are small components used in this product which could present a choking hazard. All plastic and wrapping materials should also be kept away from children and animals to prevent any risk of suffocation.

### **HELP AND SUPPORT**

Please contact our customer service team on 0113 519 0311 if you have any questions or issues with your purchase.

### **RECYCLING**

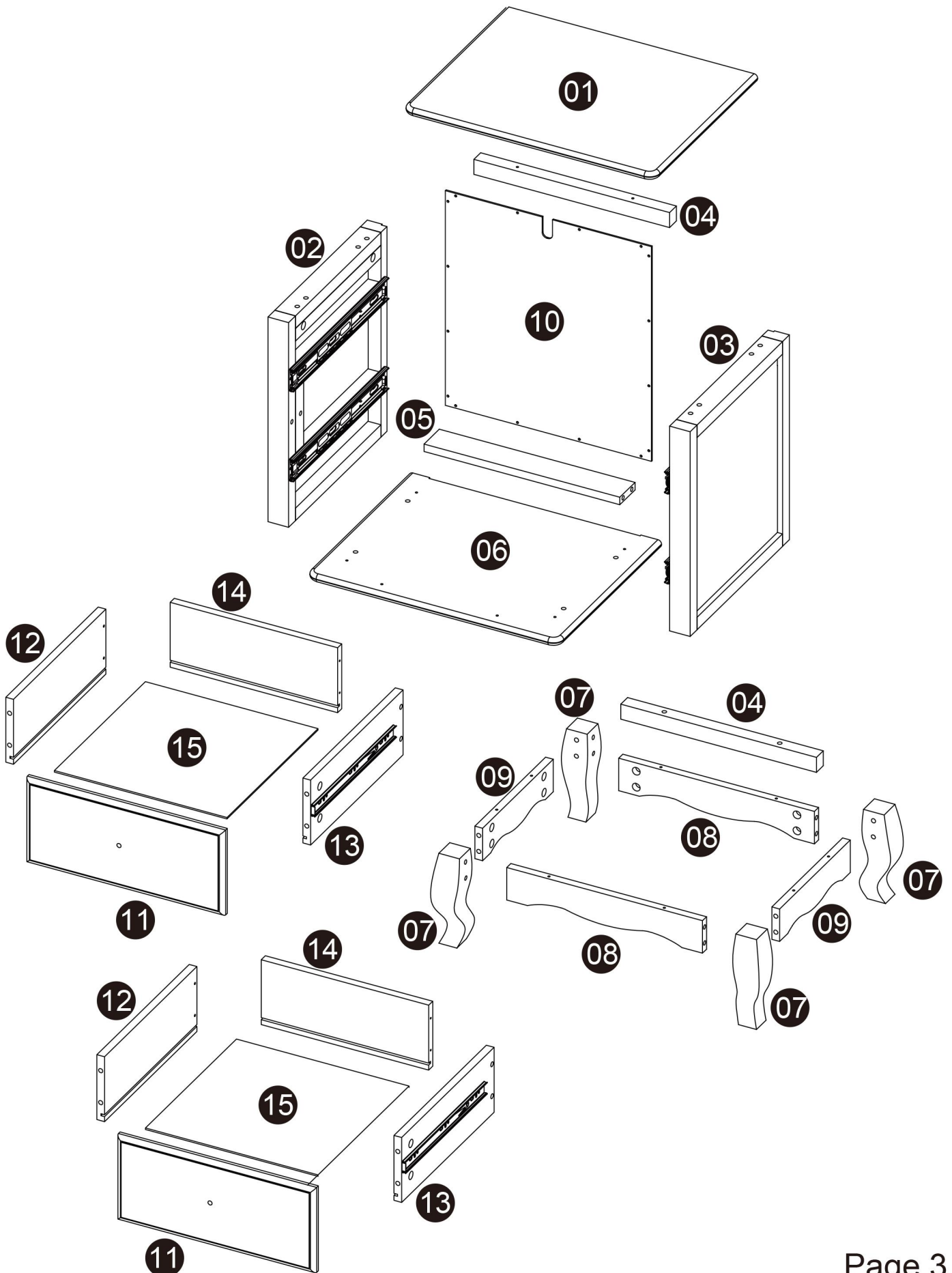
Please ensure that packaging is disposed of in a safe and environmentally friendly way, and recycle where possible. Please keep your assembly instructions safe to refer back to in the future.

### **CARE AND MAINTENANCE:**

1. Only use clean , colourless sponge or cloth to avoid any colour transfer or smearing , do not use bleach or abrasive cleaners as they may damage the chest top over time.
2. Do not use a very wet cloth or allow any liquid to contact with the chest for a long period of time . Wipe any spillage immediately.
3. Do not scrub or rub the surface when cleaning.
4. Do not drag the chest when moving , lift it off the floor instead.
5. Use a placemat or a coaster when putting hot items ( e . g . hot drinks and dishes ) on the chest surface.
6. It is not recommended to place the item next to sources of heat such as radiators , fires or directly exposed to sunlight.
7. Regularly check all fixings to ensure none have come loose . Re - tighten if necessary.
8. Avoid sharp items such as a screwdriver or any pointy tools.
9. Dispose of all packaging carefully and responsibly - recycle where possible.
10. Due to the delicate nature of this product , please gently place hard items onto the chest top to avoid damaging the surface.

# Parts

Before you begin building your bed frame, please take a moment to read through the instructions and make sure that you have all the relevant parts listed on parts check list.




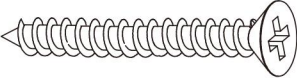

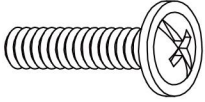
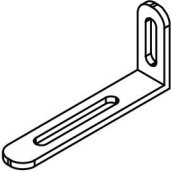
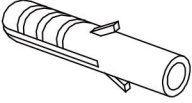
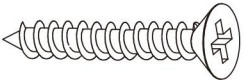


# Parts Check List

No.	Part List	Qty	No.	Part List	Qty
1	Top Panel	1	9	Side Plinths	2
2	Left Side Panel	1	10	Back Panel	1
3	Right Side Panel	1	11	Drawer Front Panels	2
4	End Cross Bars	2	12	Drawer Left Side Panels	2
5	Middle Cross Bar	1	13	Drawer Right Side Panels	2
6	Bottom Panel	1	14	Drawer End Panels	2
7	Legs	4	15	Drawer Base Panels	2
8	Front & Back Plinths	2			

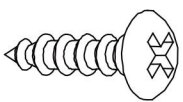

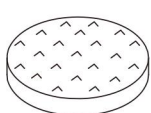
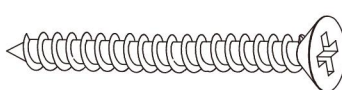
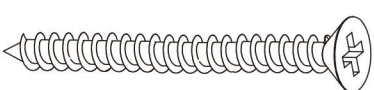
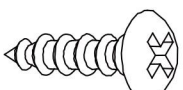
## Fittings

Please check you have all the fitting listed below with you product.


<p>A x30 + 1 extra</p>  <p>Cam Bolt (Ø4x40mm)</p>	<p>B x30 + 1 extra</p>  <p>Cam Lock</p>	<p>C x10 + 1 extra</p>  <p>Dowel (Ø8x30mm)</p>
<p>D x12 + 1 extra</p>  <p>Screw (Ø4x35mm)</p>	<p>E x2</p>  <p>Knob</p>	<p>F x2</p>  <p>Handle Bolt (M4x20mm)</p>
<p>G1 x1</p>  <p>Anti-tilt Metal Bracket</p>	<p>G2 x1</p>  <p>Expansion Bolts</p>	<p>G3 x1</p>  <p>Screw (Ø4x40mm)</p>


# Fittings

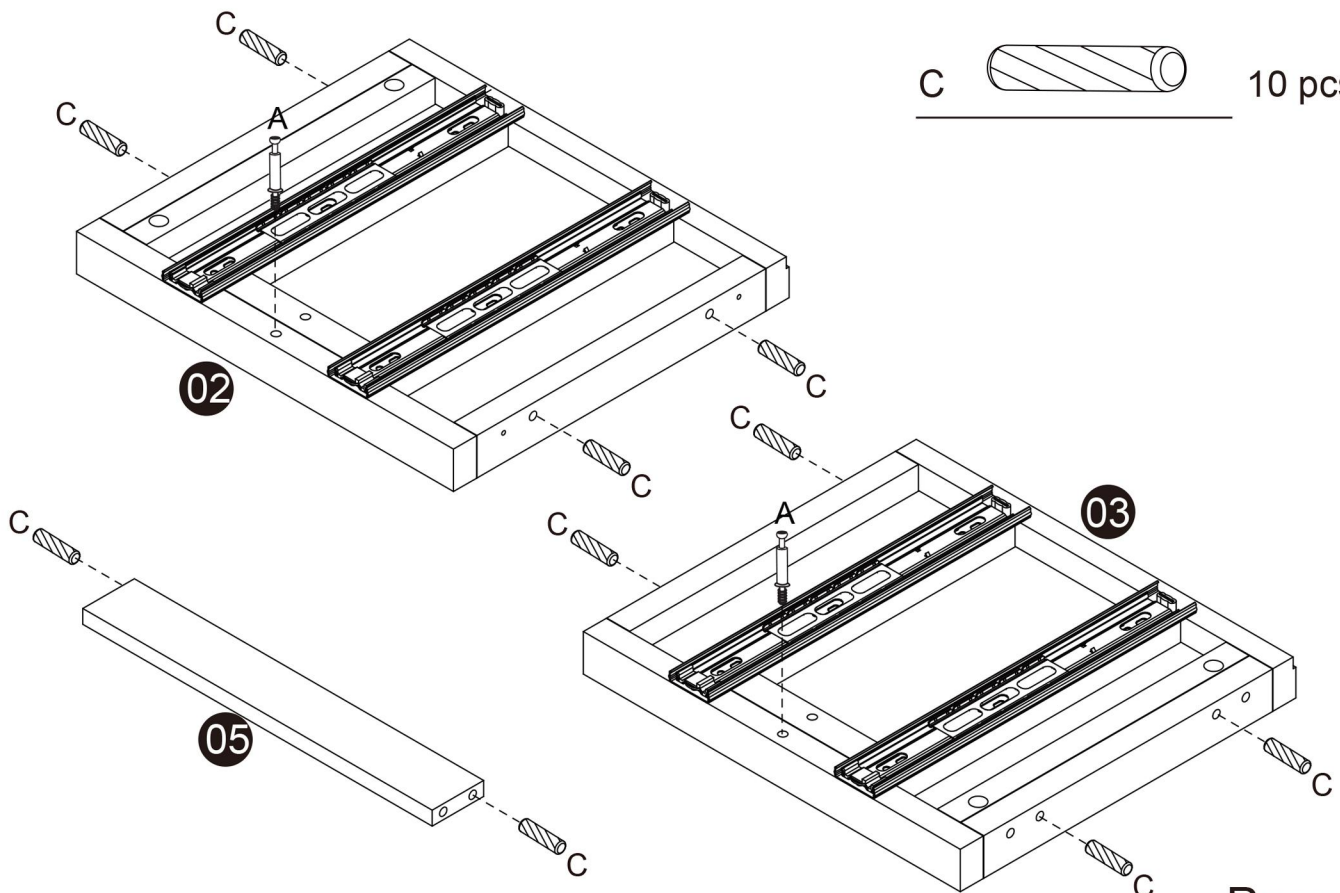
Please check you have all the fitting listed below with you product.

<p>G4 x1</p>  <p>Screw (Ø2.5x12mm)</p>	<p>H x8 + 1 extra</p>  <p>Sticker Cover (Ø20mm)</p>	<p>J x4</p>  <p>Flet Pads Ø30mm</p>
<p>K x4</p>  <p>Screw (Ø4x40mm)</p>	<p>L x8 + 1 extra</p>  <p>Screw (Ø4x45mm)</p>	<p>M x16 + 1 extra</p>  <p>Screw (Ø2.5x12mm)</p>

## Step 1 Attach Dowels and CAM Bolts.

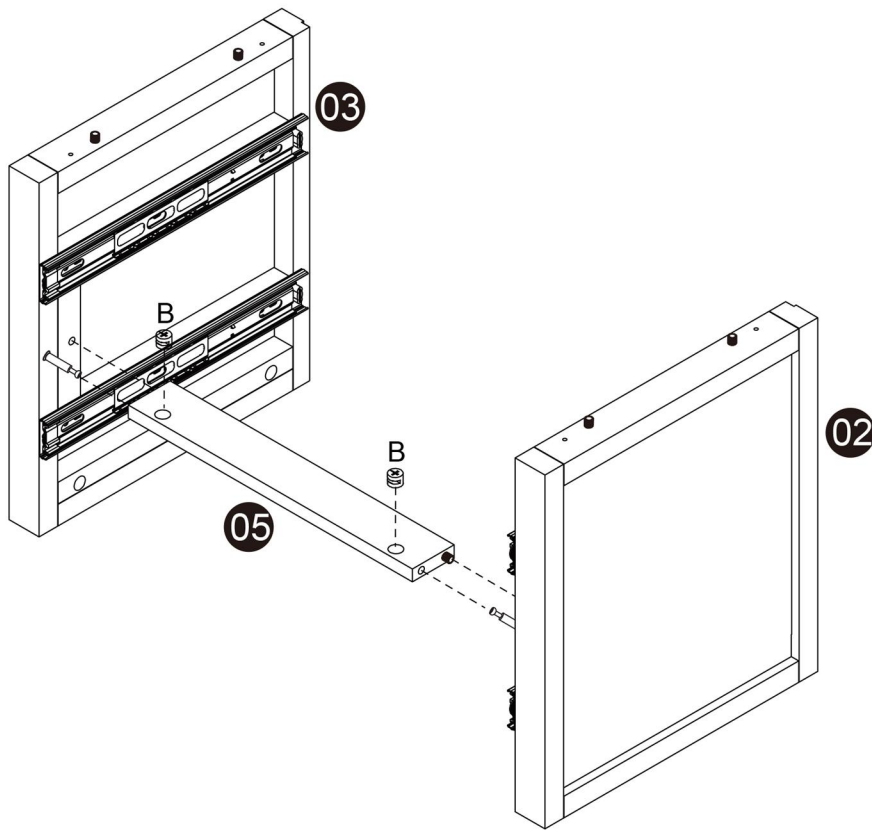
A  2 pcs

C  10 pcs




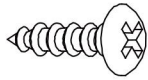
**Step 2** Attach Middle Cross Bar to Side Panles.

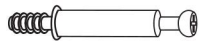
B  2 pcs



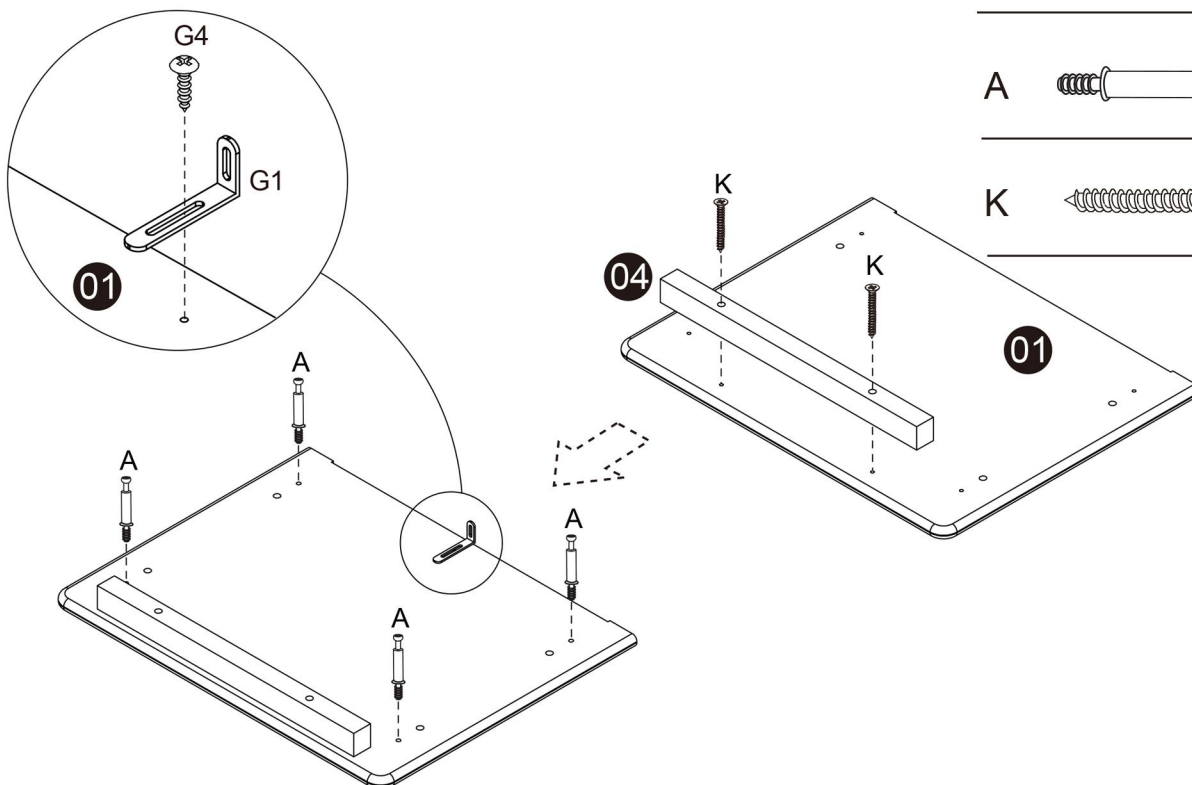
**Step 3** 1. Attach End Cross Bar to the Top Panel.  
2. Attach CAM Bolts.

G1  1 pc

G4  1 pc

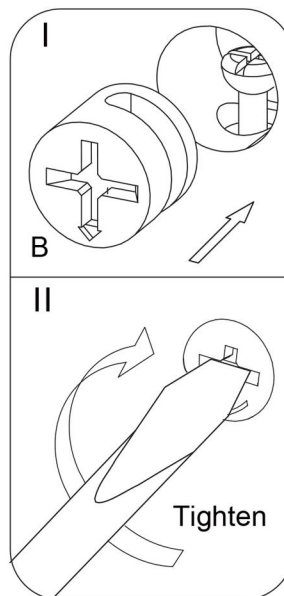
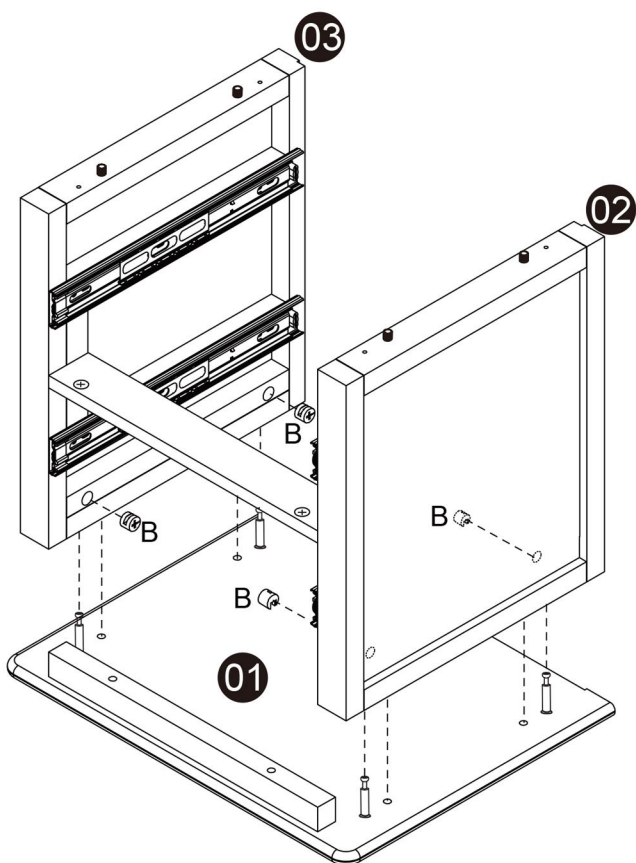
A  4 pcs

K  2 pcs




**Step 4** Attach Side Panels to the Top Panel.

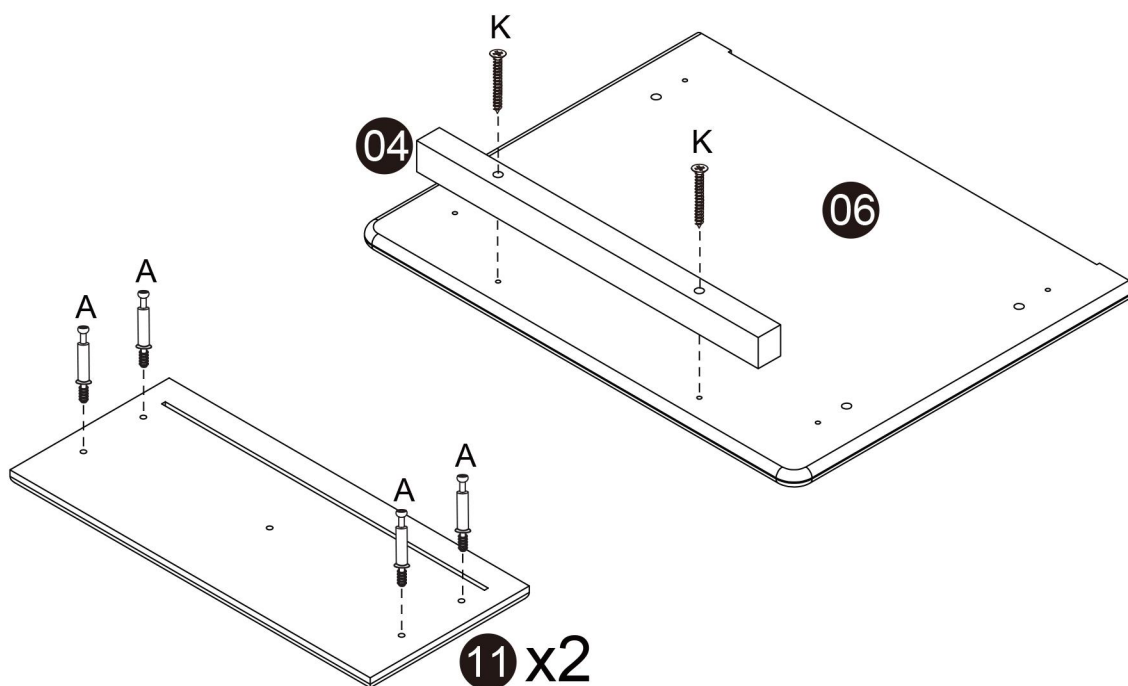
B  4 pcs



**Step 5** 1. Attach End Cross Bar to the Bottom Panel.  
2. Attach CAM Bolts.

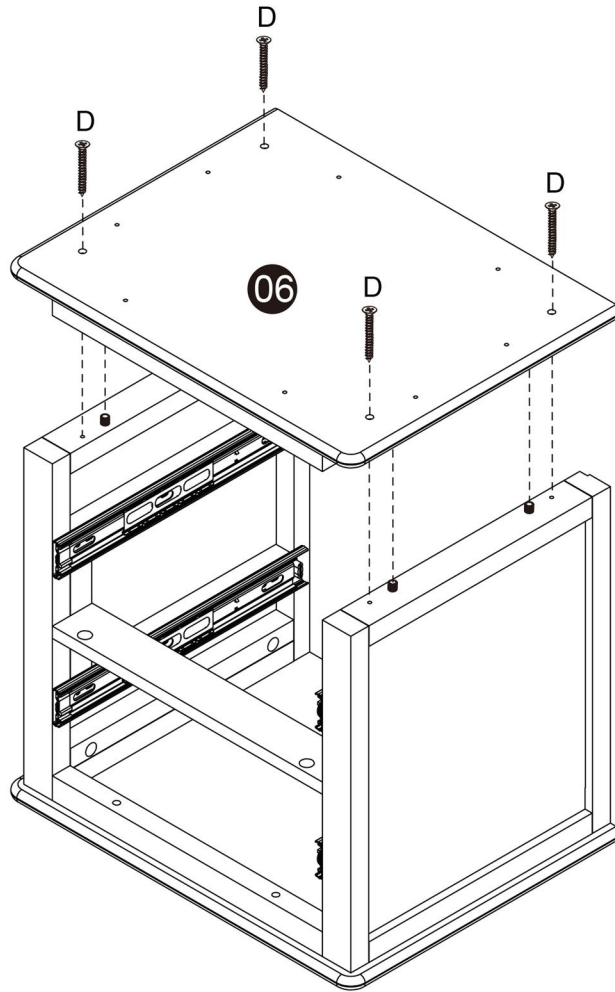
A  8 pcs

K  2 pcs



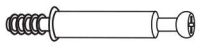
**Step 6** Attach the Bottom Panel to the Cabinet.

D  4 pcs

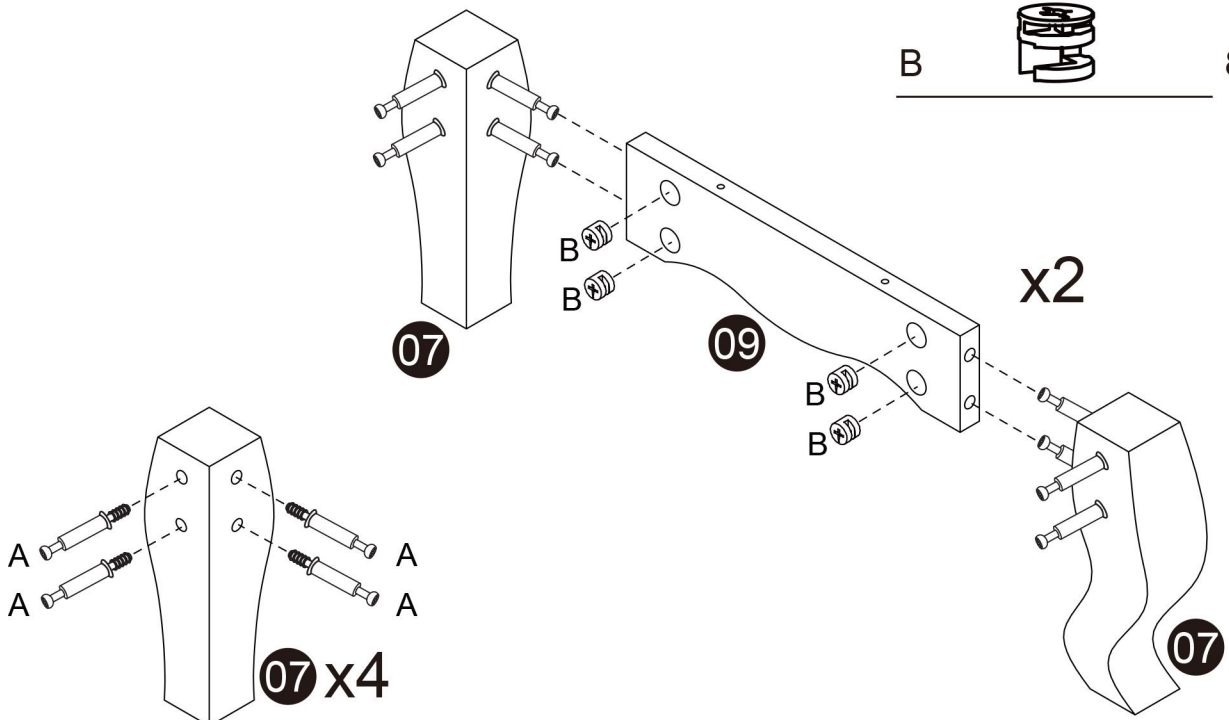


**Step 7** 1. Attach CAM Bolts .

2. Attach the Side Plinths to Legs.

A  16 pcs

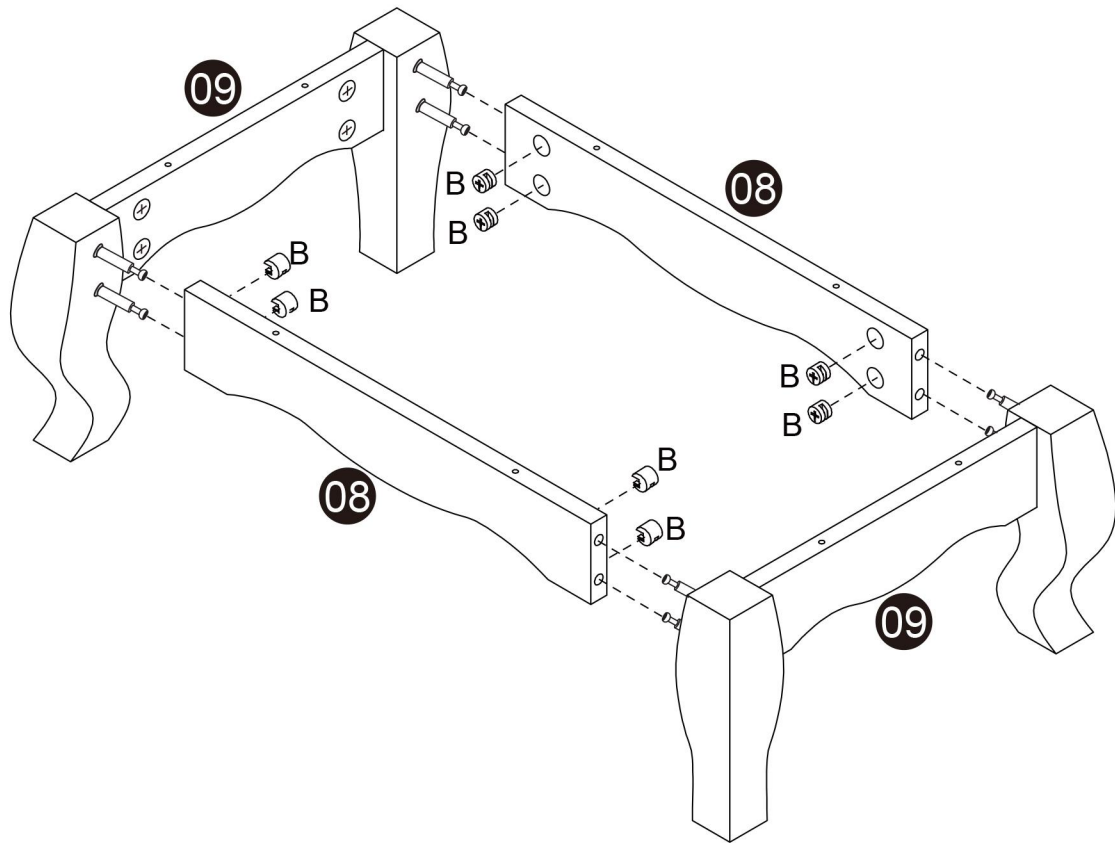
B  8 pcs





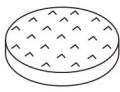
## Step 8 Attach Front and Back Plinths.

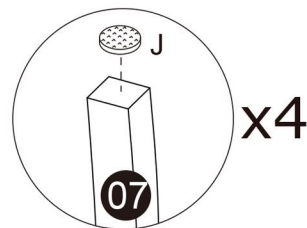
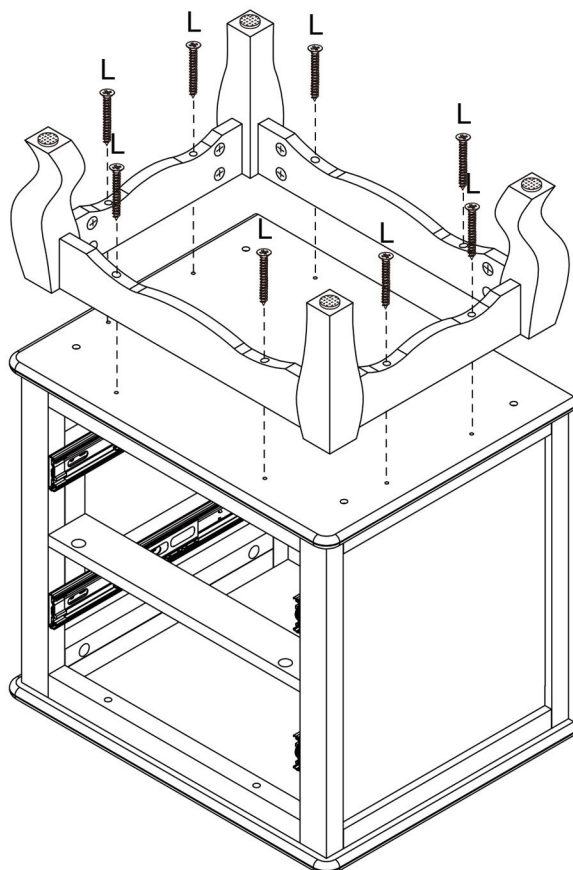
B  8 pcs



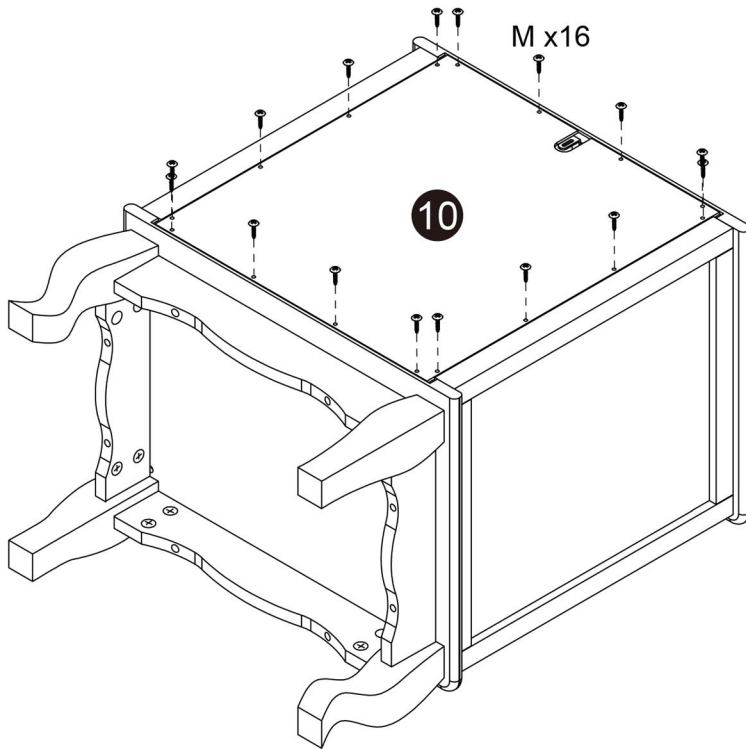
## Step 9 Attach the Base to the Cabinet.

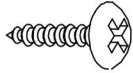
L  8 pcs

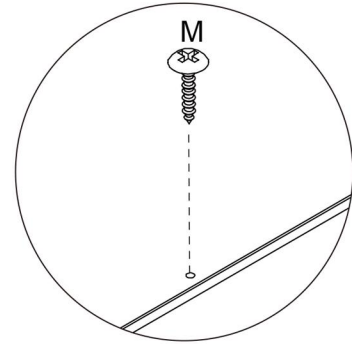
J  4 pcs



## Step 10 Attach Back Panel.

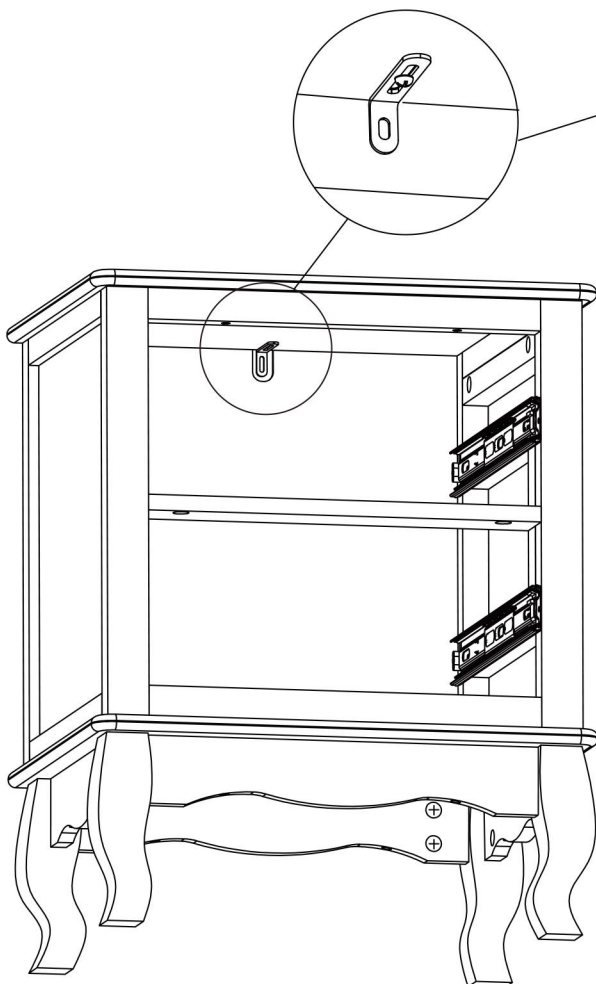


M  16 pcs



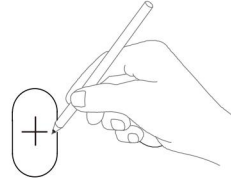
## Step 11 **Warning:** Always ensure the area to be drilled is free from hidden electrical wires, water and gas pipes.

G2  1 pc

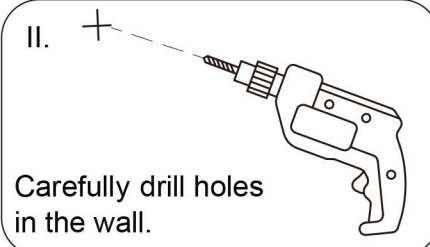


In the final position the cabinet is to be used, place it flat against the wall. From underside of the top carefully mark the wall with a sharp pencil, dead-centre of the holes in the short legs of the metal Anti-tilt Bracket.

I.

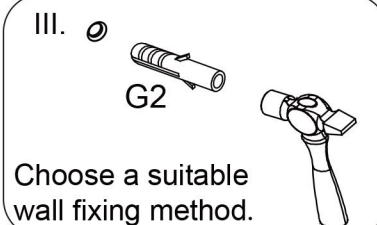


II.



Carefully drill holes in the wall.

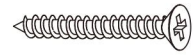
III.



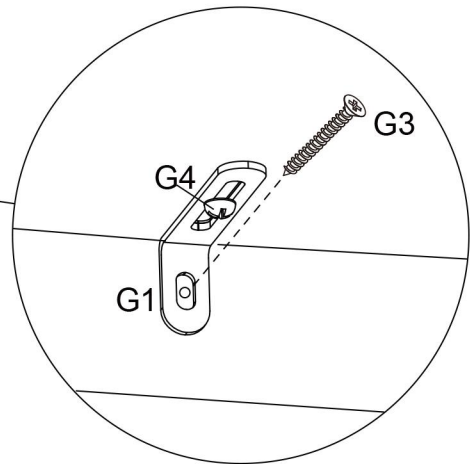
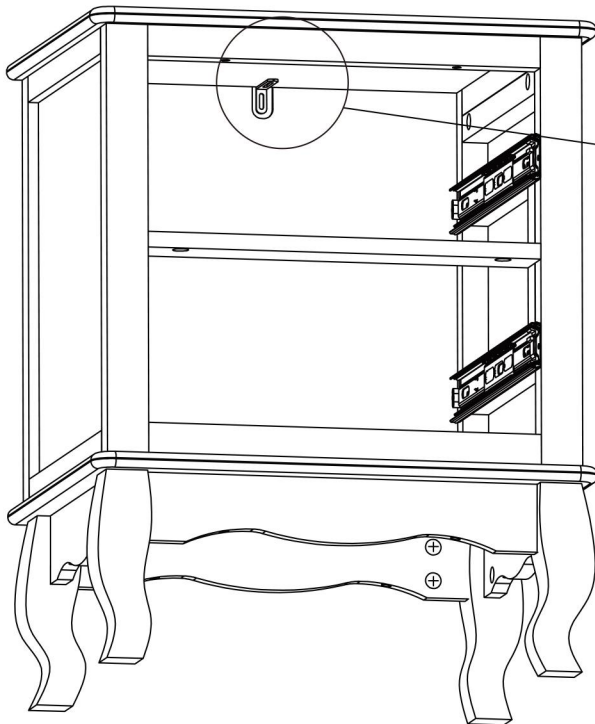
Choose a suitable wall fixing method.

## Step 12

G3



1 pc



Hold cabinet firmly against the wall. If necessary, loosen screw (G4) a little and push each metal bracket (G1) until touching the wall. Screw into your wall fixings making sure brackets are firm, finally re-tighten screws (G4).

## Step 13

1. Attach Drawer Side Panels to Drawer End Panels.

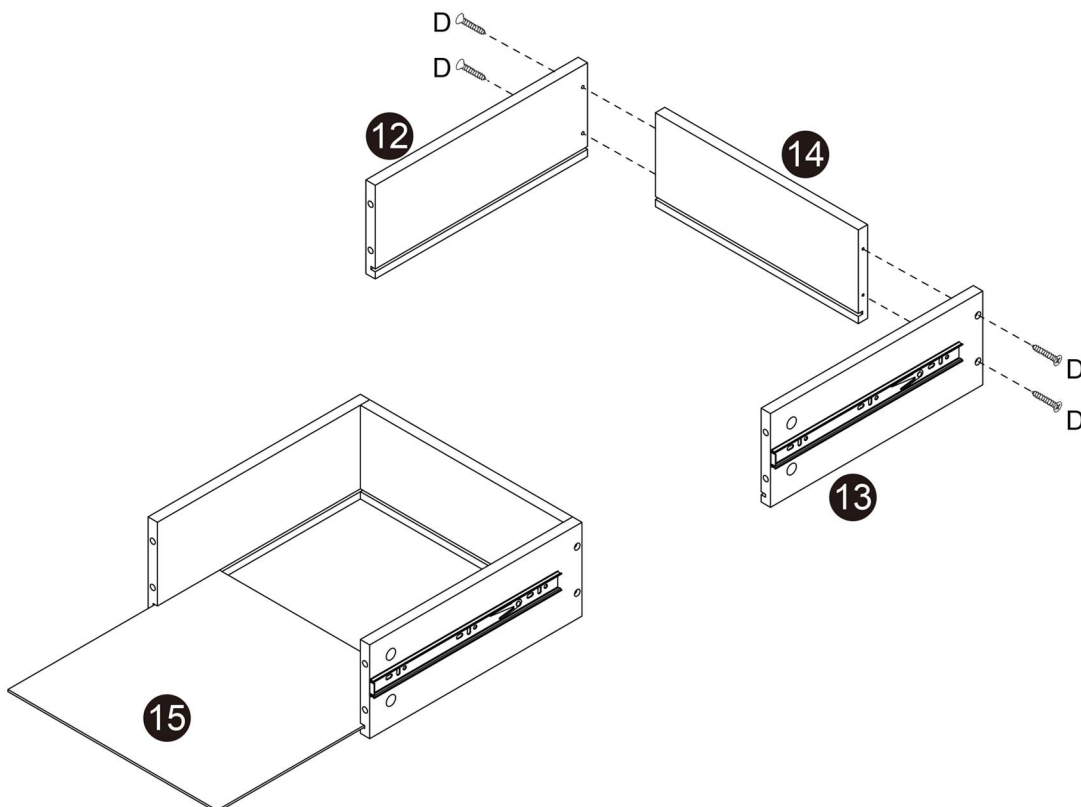
D



8 pcs

x2

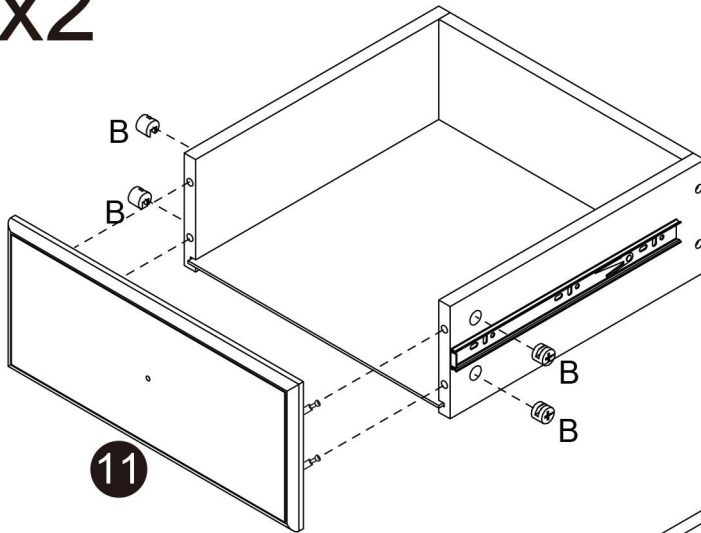
2. Push Drawer Base Panel into Drawer.



**Step 14** Attach Drawer Front Panels to Drawers.

**x2**

And Screw the Knobs

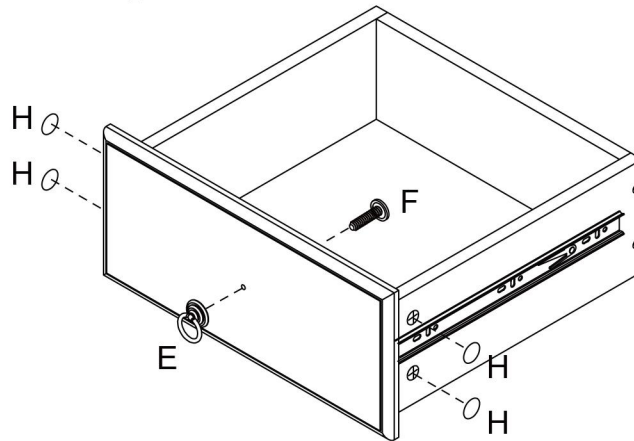


B  8 pcs

E  2 pcs

F  2 pcs

H  8 pcs



**Step 15** Push Drawers into the Cabinet.

