

# DUSK.COM

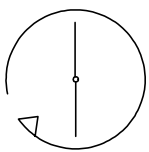
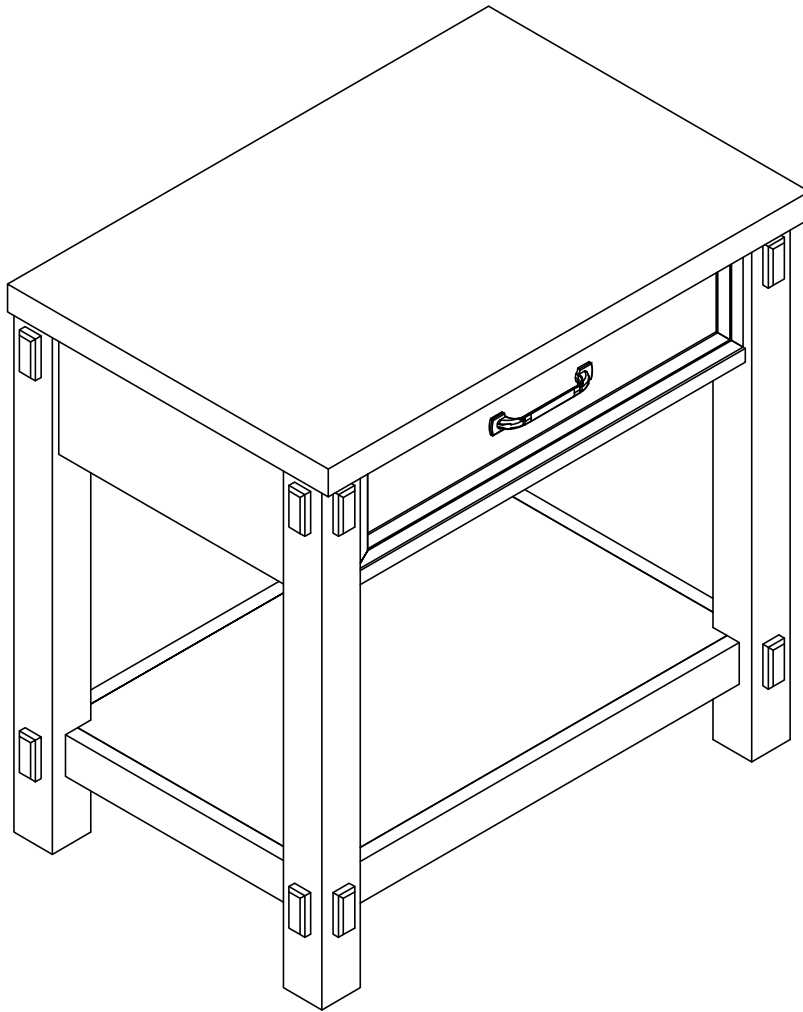
LIVING | BEDROOM | DINING

Range Name : Primrose

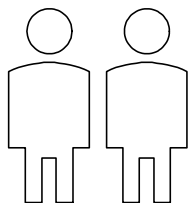
Box 1 dimensions : W72.5xD49xH25cm

Product Dimension : W60xD40xH59cm

## Primrose Nightstand



Up to 30 minutes  
assembly time



Two person  
assembly



Electric screwdriver  
prohibited

This product is intended for domestic use only, not for commercial purposes.

P-1-8  
V-1.0

## IMPORTANT

### ASSEMBLY TIP

Before you begin, it's best to identify all of the parts and fittings to build your Primrose Nightstand frame. We advise laying these out on the floor to check you have everything, and to familiarise yourself with all of the parts and fittings before building.

### TOP TIP

We recommend that you assemble the Primrose Nightstand in the room you'd like it to be located. This will help prevent any risk of damage to the frame whilst moving it.

### SAFETY AND CARE

It's important to ensure children and animals are kept away from the assembly area, as there are small components used in this product which could present a choking hazard. All plastic and wrapping materials should also be kept away from children and animals to prevent any risk of suffocation.

### HELP AND SUPPORT

Please contact our customer service team on 0113 519 0311 if you have any questions or issues with your purchase.

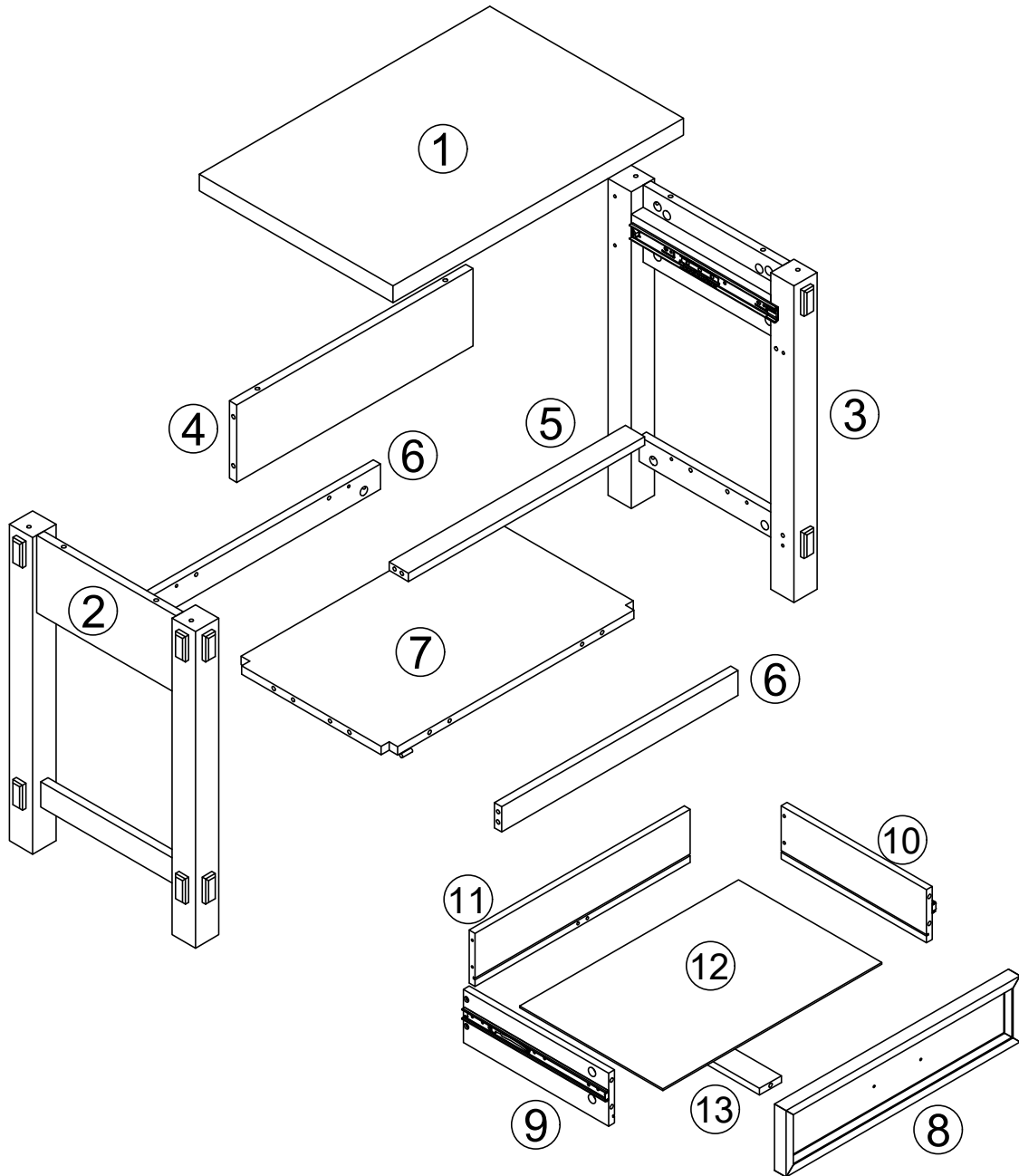
### RECYCLING

Please ensure that packaging is disposed of in a safe and environmentally friendly way, and recycle where possible. Please keep your assembly instructions safe to refer back to in the future.

### CARE AND MAINTENANCE:

1. Only clean using a damp cloth, do not use bleach or abrasive cleaners as they may damage the finish over time.
2. Do not use a very wet cloth or allow any liquid to contact with the veneer for a long period of time. Wipe any spillage immediately. Absorption can cause wood to warp or finishes to de-laminate.
3. Do not scrub or rub the surface when cleaning.
4. Do not drag the Primrose Nightstand when moving, lift it off the floor instead.
5. Use a placemat or a coaster when putting hot items (e.g. hot drinks and dishes) on the wood surface.
6. It is not recommended to place the item next to sources of heat such as radiators, fires or directly exposed to sunlight. This may cause the wood to crack, split or fade due to the heat and humidity.
7. Wood will mellow and change colour over time, we recommend that ornaments and items placed on the surface to be moved regularly to prevent uneven mellowing.
8. Regularly check all fixings to ensure none have come loose. Re-tighten if necessary.
9. Avoid sharp items such as a screwdriver or any pointy tools.
10. Dispose of all packaging carefully and responsibly - recycle where possible.

# Parts list



# Parts list

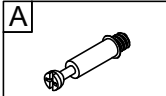

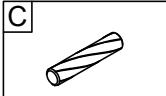
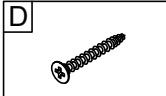


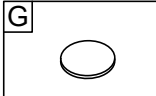
Before you begin building your Primrose Nightstand, please take a moment to read through the instructions and make sure that you have all the relevant parts listed on the parts check list.

Part Number	Part Description	Quantity	Box No
①	Top	1pc	Box 1
②	Left Side Panel With Slide	1pc	Box 1
③	Right Side Panel With Slide	1pc	Box 1
④	Back Panel	1pc	Box 1
⑤	Centre Support	1pc	Box 1
⑥	Centre Support	2pcs	Box 1
⑦	Shelf Panel	1pc	Box 1


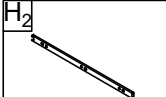
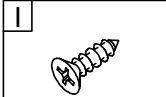

Part Number	Part Description	Quantity	Box No
⑧	Drawer Front	1pc	Box 1
⑨	Drawer Left Side With Slide	1pc	Box 1
⑩	Drawer Right Side With Slide	1pc	Box 1
⑪	Drawer Back Side	1pc	Box 1
⑫	Drawer Bottom	1pc	Box 1
⑬	Drawer Floor	1pc	Box 1

## Fittings

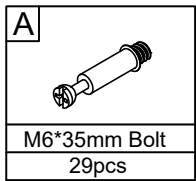
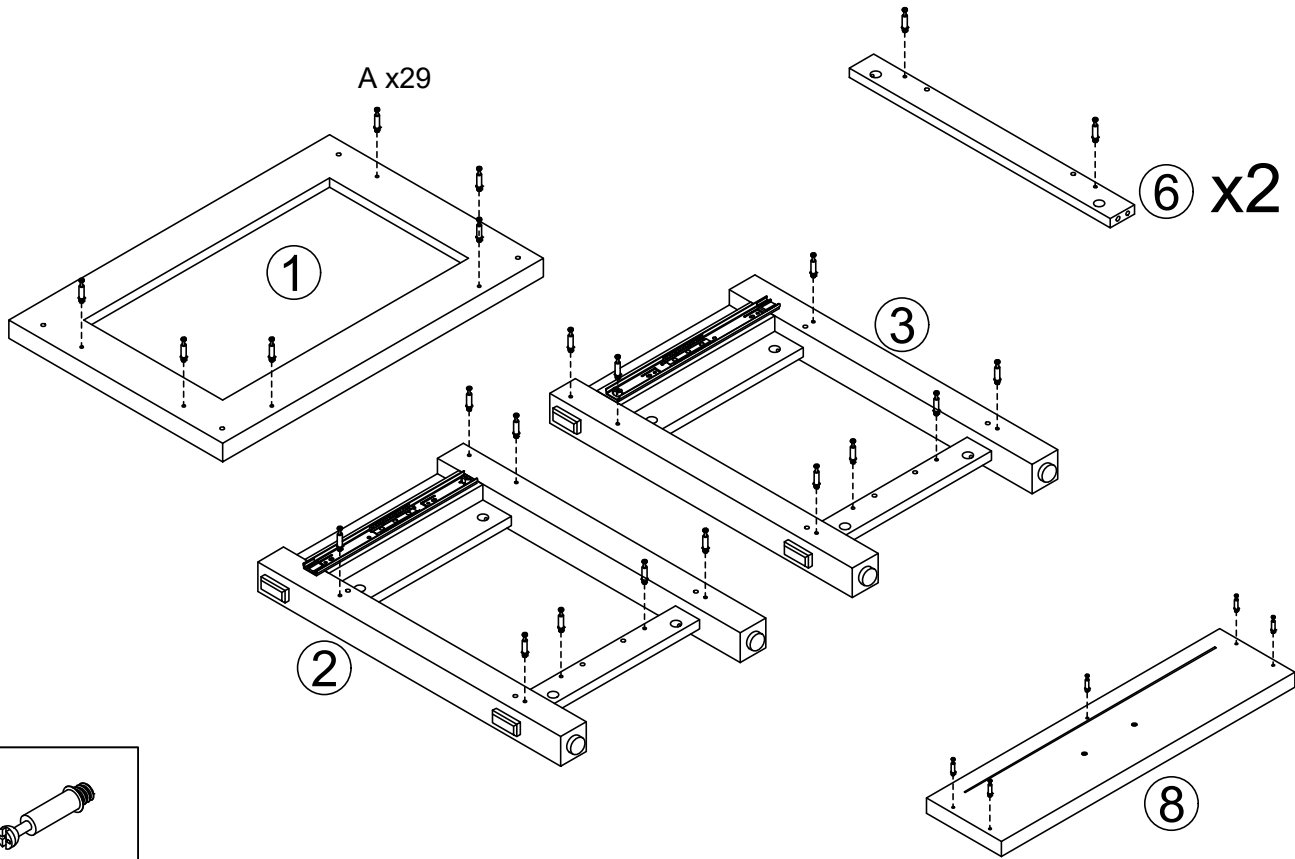
Please check you have all the fittings listed below with your product in box 1.

						
M6*35mm Bolt 29pcs+3pcs extra	Ø15x9.5mm Cam Lock 29pcs+3pcs extra	Ø6x30mm Dowel 18pcs+2pcs extra	Ø4x35mm Screw 6pcs	M4x18mm Bolt 2pcs	Handle 1pc	Cover 4pcs

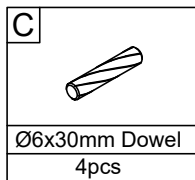
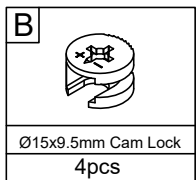
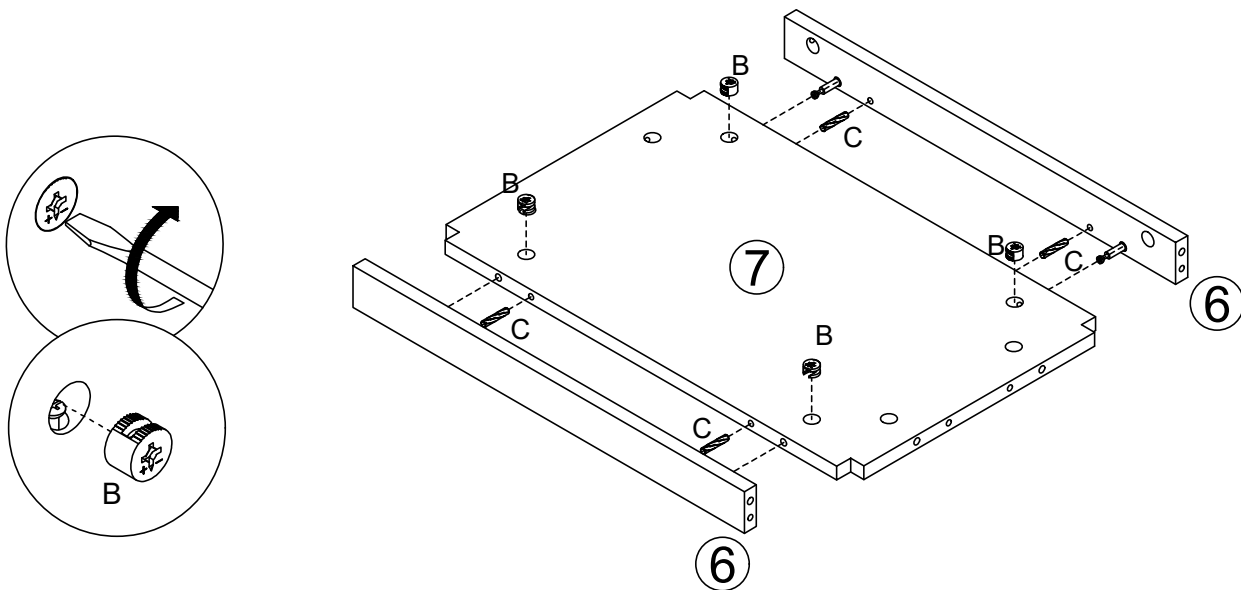
Pre-assembled Fittings.

			
Slide 2pcs	Slide 2pcs	Ø3x12mm Screw 12pcs	Felt pad 4pcs

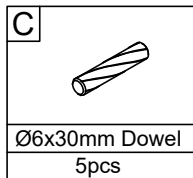
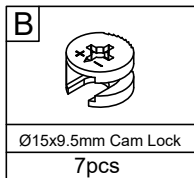
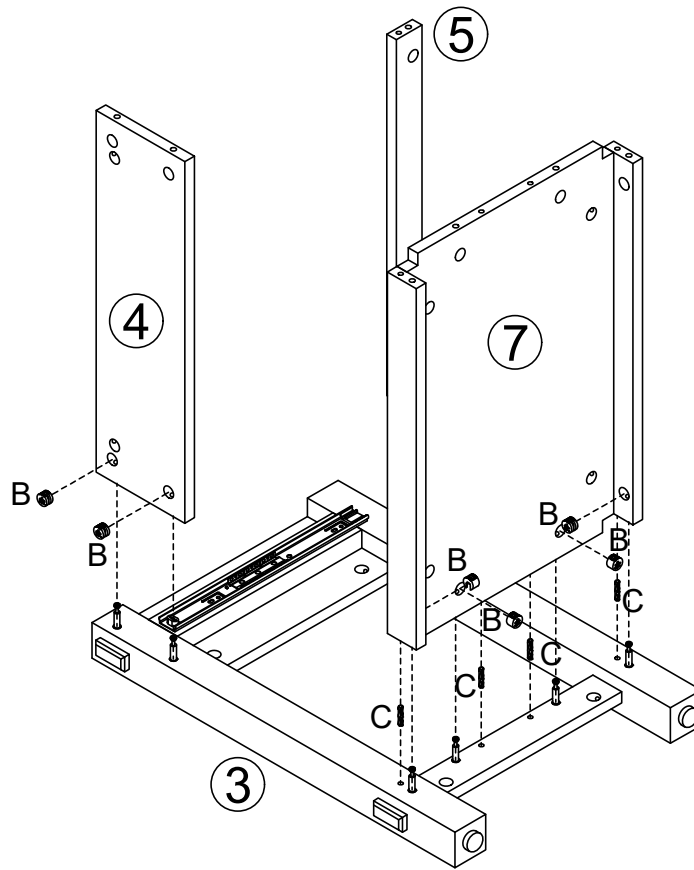
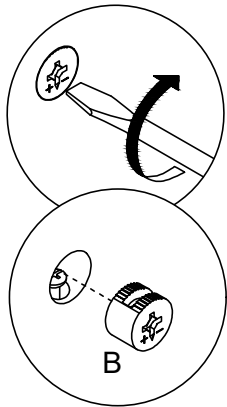
# 1. Attach parts to top panel, side panel and drawer front .



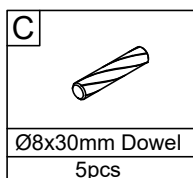
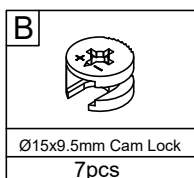
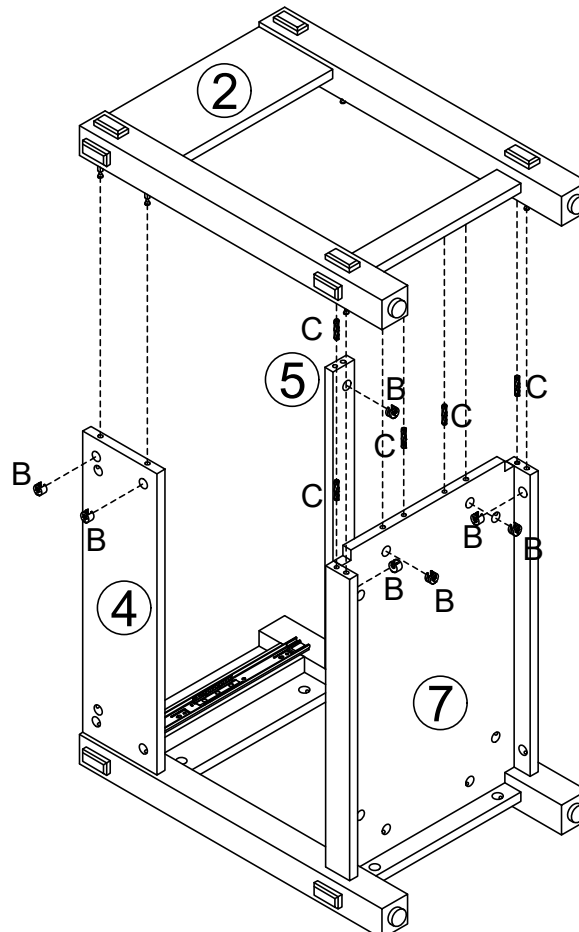
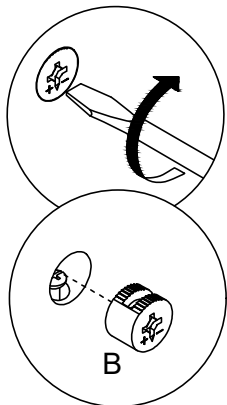
# 2. Attach centre support to shelf panel.



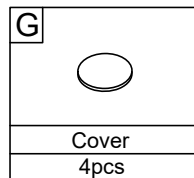
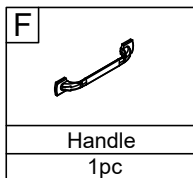
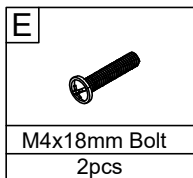
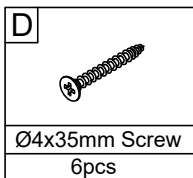
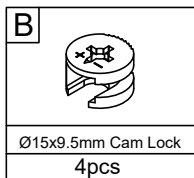
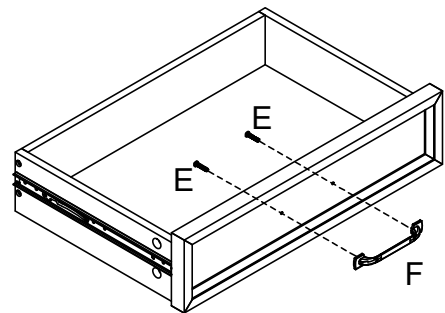
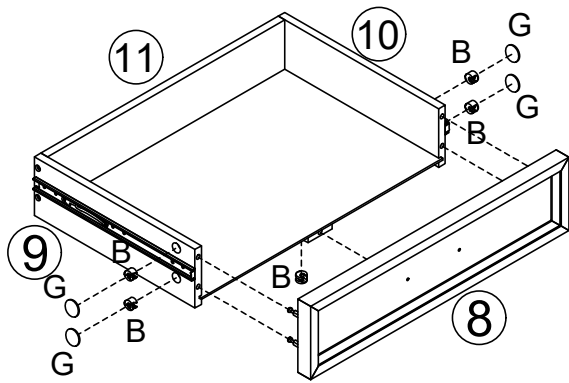
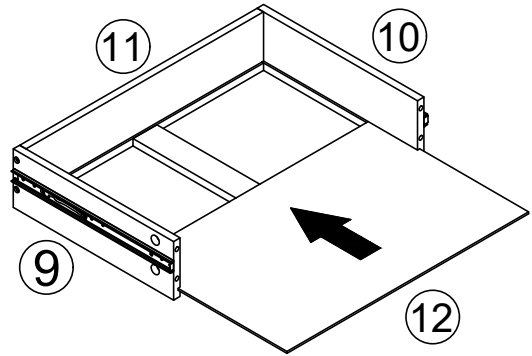
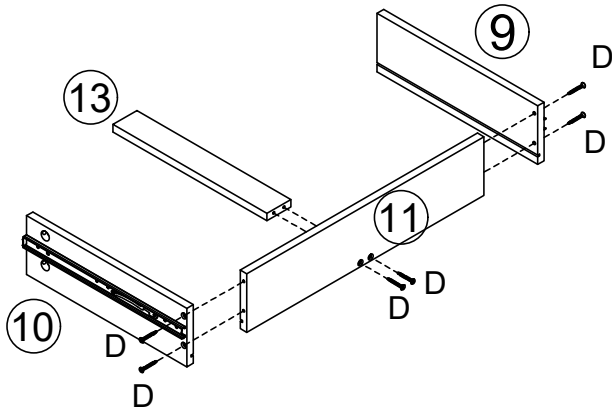
3. Attach the back panel, centre support and shelf panel to the right side panel.



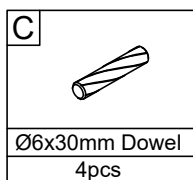
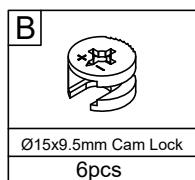
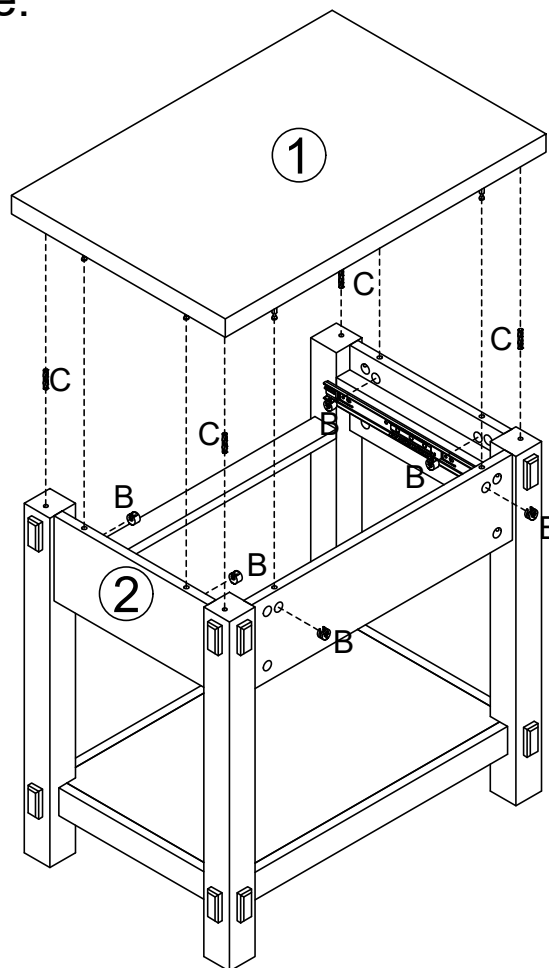
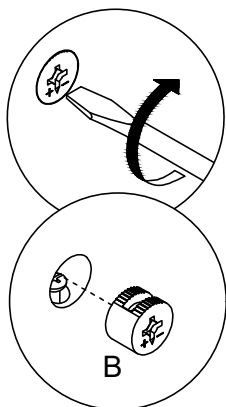
4. Attach the left side panel to the frame.



# 5. Assemble the drawer.



## 6. Attach top panel to the frame.



## 7. Assemble the drawer to the chest.

