

# DUSK.COM

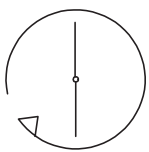
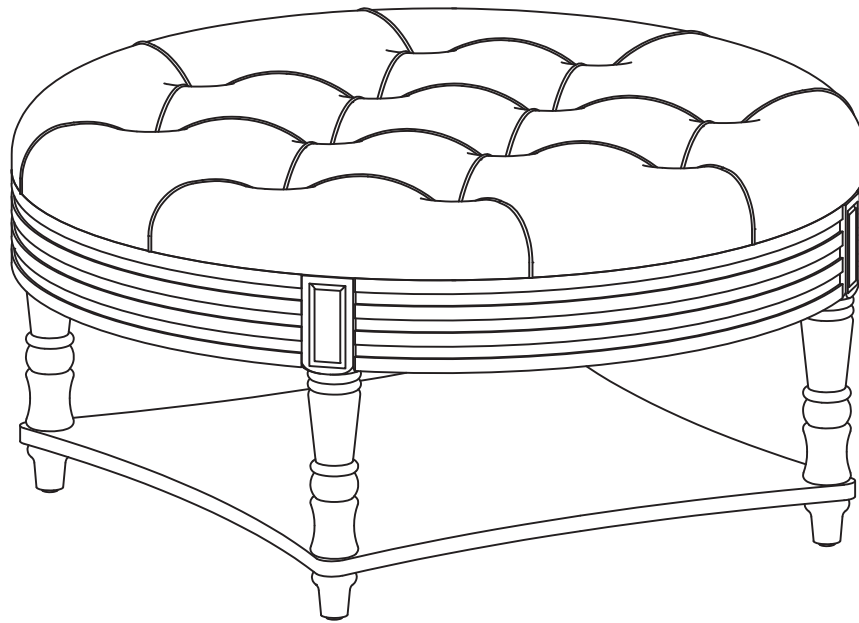
LIVING | BEDROOM | DINING

Range Name : Aubrey

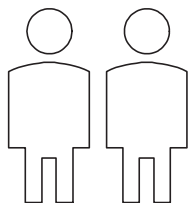
Box 1 dimensions : W88xD87xH21.5cm

Product Dimension : W80xD80xH40cm

## Aubrey Round Coffee Table Pouffe



Up to 15minutes  
assembly time



Two person  
assembly



Electric screwdriver  
prohibited

This product is intended for domestic use only, not for commercial purposes.

P-1-4  
V-1.0

## IMPORTANT

### ASSEMBLY TIP

Before you begin, it's best to identify all of the parts and fittings to build your Aubrey round Coffee Table Pouffe

We advise laying these out on the floor to check you have everything, and to familiarise yourself with all of the parts and fittings before building.

### TOP TIP

We recommend that you assemble the Aubrey round Coffee Table Pouffe in the room you'd like it to be located.

This will help prevent any risk of damage to the frame whilst moving it.

### SAFETY AND CARE

It's important to ensure children and animals are kept away from the assembly area, as there are small components used in this product which could present a choking hazard. All plastic and wrapping materials should also be kept away from children and animals to prevent any risk of suffocation.

### HELP AND SUPPORT

Please contact our customer service team on 0113 519 0311 if you have any questions or issues with your purchase.

### RECYCLING

Please ensure that packaging is disposed of in a safe and environmentally friendly way, and recycle where possible. Please keep your assembly instructions safe to refer back to in the future.

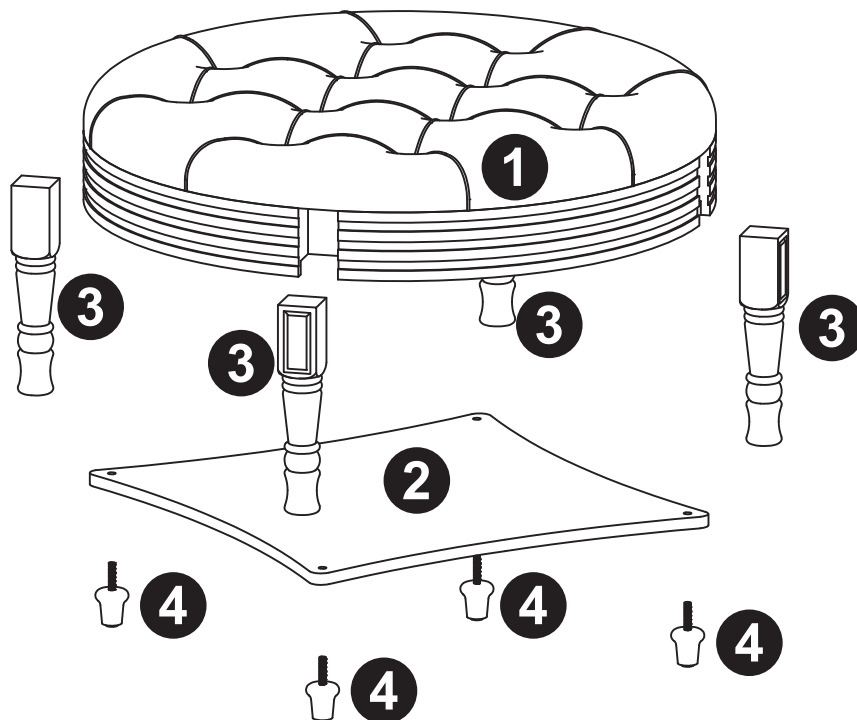
### CARE AND MAINTENANCE:

1. Only clean using a damp cloth, do not use bleach or abrasive cleaners as they may damage the finish over time.
2. Do not use a very wet cloth or allow any liquid to contact with the veneer for a long period of time. Wipe any spillage immediately. Absorption can cause wood to warp or finishes to de-laminate.
3. Do not scrub or rub the surface when cleaning.
4. Do not drag the Aubrey round Coffee Table Pouffe when moving, lift it off the floor instead.
5. Use a placemat or a coaster when putting hot items (e.g. hot drinks and dishes) on the wood surface.
6. It is not recommended to place the item next to sources of heat such as radiators, fires or directly exposed to sunlight. This may cause the wood to crack, split or fade due to the heat and humidity.
7. Wood will mellow and change colour over time, we recommend that ornaments and items placed on the surface to be moved regularly to prevent uneven mellowing.
8. Regularly check all fixings to ensure none have come loose. Re-tighten if necessary.
9. Avoid sharp items such as a screwdriver or any pointy tools.
10. Dispose of all packaging carefully and responsibly - recycle where possible.

# Parts list

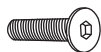


Before you begin building your Aubrey round Coffee Table Pouffe ,please take a moment to read through the instructions andmake surethat you have all the relevant parts listed on the parts check list.

Part Number	Part Description	Quantity	Box No
①	Desktop	1pc	Box 1
②	Shelf	1pc	Box 1
③	Top legs	4pcs	Box 1
④	Lower legs	4pcs	Box 1

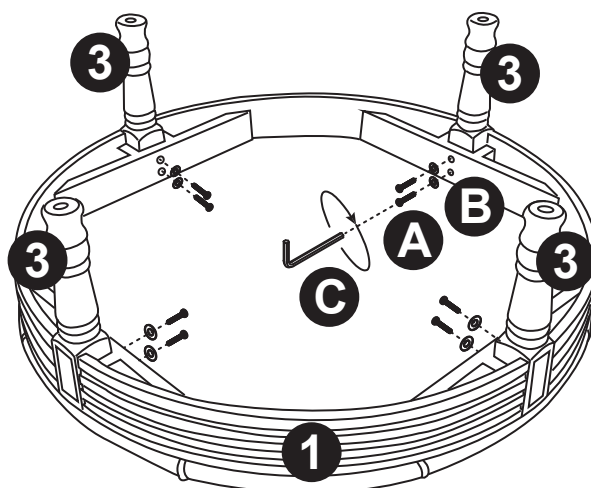


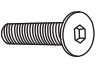


## Fittings

Please check you have all the fittings listed below with your product in box 1

A	B	C
		
M6x40mm Bolt 8pcs+1pc extra	Lock Washer 8pcs+1pc extra	4mm Allen Key 1pc

1. Assemble the top legs to desktop.



A	B	C
		
M6x40mm Bolt 8pcs	Lock Washer 8pcs	4mm Allen Key 1pc

2. Assemble shelf together with lower legs.

