

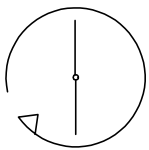
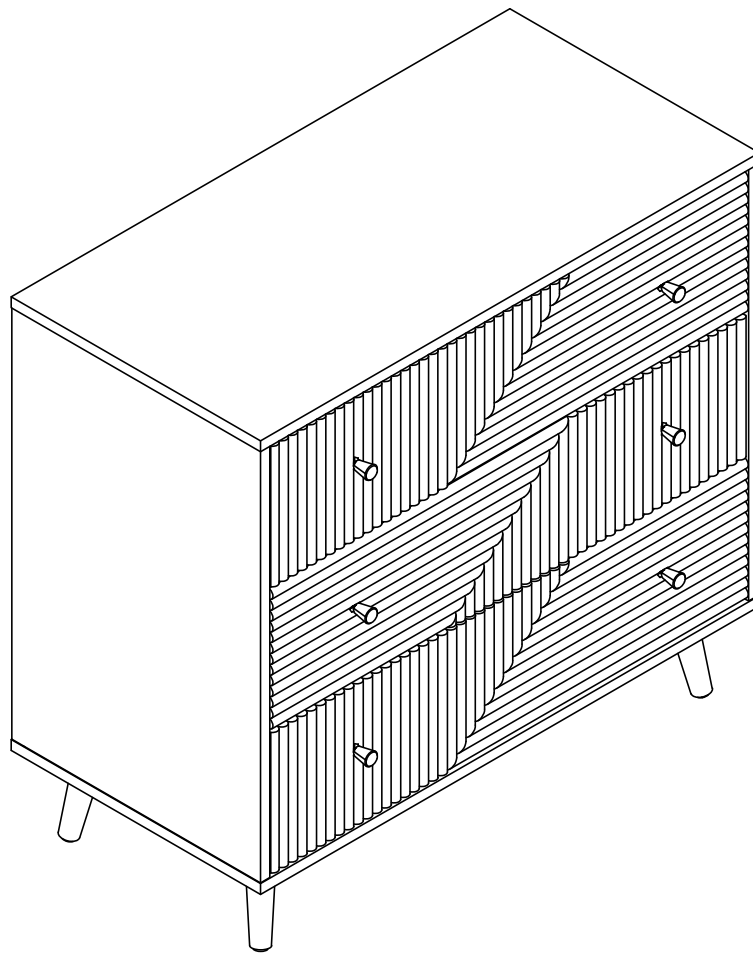
DUSK.COM

LIVING | BEDROOM | DINING

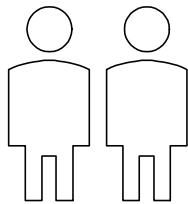
Range Name : DORA

Box dimensions : 94x49x23cm

Dora 3 Drawer Chest



Up to 30 minutes
assembly time



Two person
assembly

This product is intended for domestic use only, not for commercial purposes.

P-1-12

IMPORTANT

ASSEMBLY TIP

Before you begin, it's best to identify all of the parts and fittings to build your Dora 3 Drawer Chest frame. We advise laying these out on the floor to check you have everything, and to familiarise yourself with all of the parts and fittings before building.

TOP TIP

We recommend that you assemble the Dora 3 Drawer Chest in the room you'd like it to be located. This will help prevent any risk of damage to the frame whilst moving it.

SAFETY AND CARE

It's important to ensure children and animals are kept away from the assembly area, as there are small components used in this product which could present a choking hazard. All plastic and wrapping materials should also be kept away from children and animals to prevent any risk of suffocation.

HELP AND SUPPORT

Please contact our customer service team on 0113 519 0311 if you have any questions or issues with your purchase.

RECYCLING

Please ensure that packaging is disposed of in a safe and environmentally friendly way, and recycle where possible. Please keep your assembly instructions safe to refer back to in the future.

CARE AND MAINTENANCE:

1. Only clean using a damp cloth, do not use bleach or abrasive cleaners as they may damage the finish over time.
2. Do not use a very wet cloth or allow any liquid to contact with the veneer for a long period of time. Wipe any spillage immediately. Absorption can cause wood to warp or finishes to de-laminate.
3. Do not scrub or rub the surface when cleaning.
4. Do not drag the Dora 3 Drawer Chest when moving, lift it off the floor instead.
5. Use a placemat or a coaster when putting hot items (e.g. hot drinks and dishes) on the wood surface.
6. It is not recommended to place the item next to sources of heat such as radiators, fires or directly exposed to sunlight. This may cause the wood to crack, split or fade due to the heat and humidity.
7. Wood will mellow and change colour over time, we recommend that ornaments and items placed on the surface to be moved regularly to prevent uneven mellowing.
8. Regularly check all fixings to ensure none have come loose. Re-tighten if necessary.
9. Avoid sharp items such as a screwdriver or any pointy tools.
10. Dispose of all packaging carefully and responsibly - recycle where possible.

Parts list

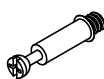

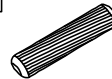


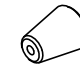

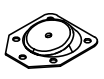
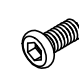

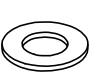
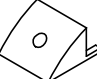

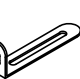


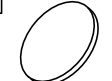

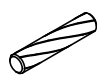
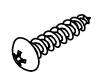
Before you begin building your Dora 3 Drawer Chest, please take a moment to read through the instructions and make sure that you have all the relevant parts listed on the parts check list.

Part Number	Part Description	Quantity
①	Top	1pc
②	Left Side Panel	1pc
③	Right Side Panel	1pc
④	Bottom Panel	1pc
⑤	Supporting metal tube	1pc
⑥	Centre Support	2pcs
⑦	Back Panel	1pc
⑧	Centre Support	1pc
⑨	Back Panel	1pc

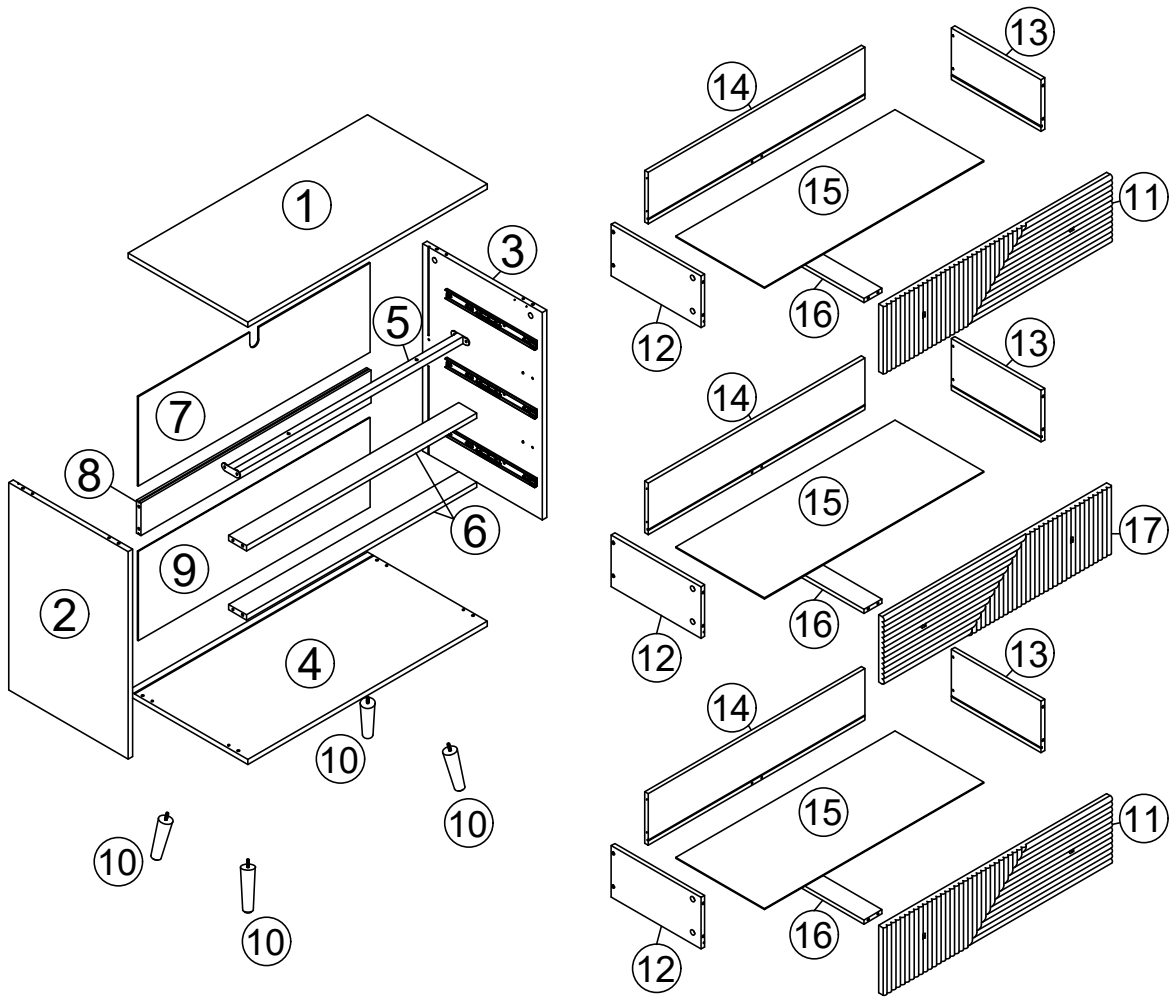
Part Number	Part Description	Quantity
⑩	Leg	4pc
⑪	Drawer Front	2pc
⑫	Drawer Left Side	3pc
⑬	Drawer Right Side	3pc
⑭	Drawer Back Side	3pc
⑮	Drawer Bottom	3pc
⑯	Drawer Floor	3pc
⑰	Drawer Front	1pcs

Fittings

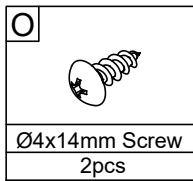
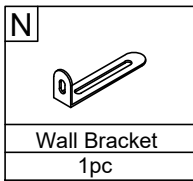
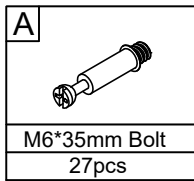
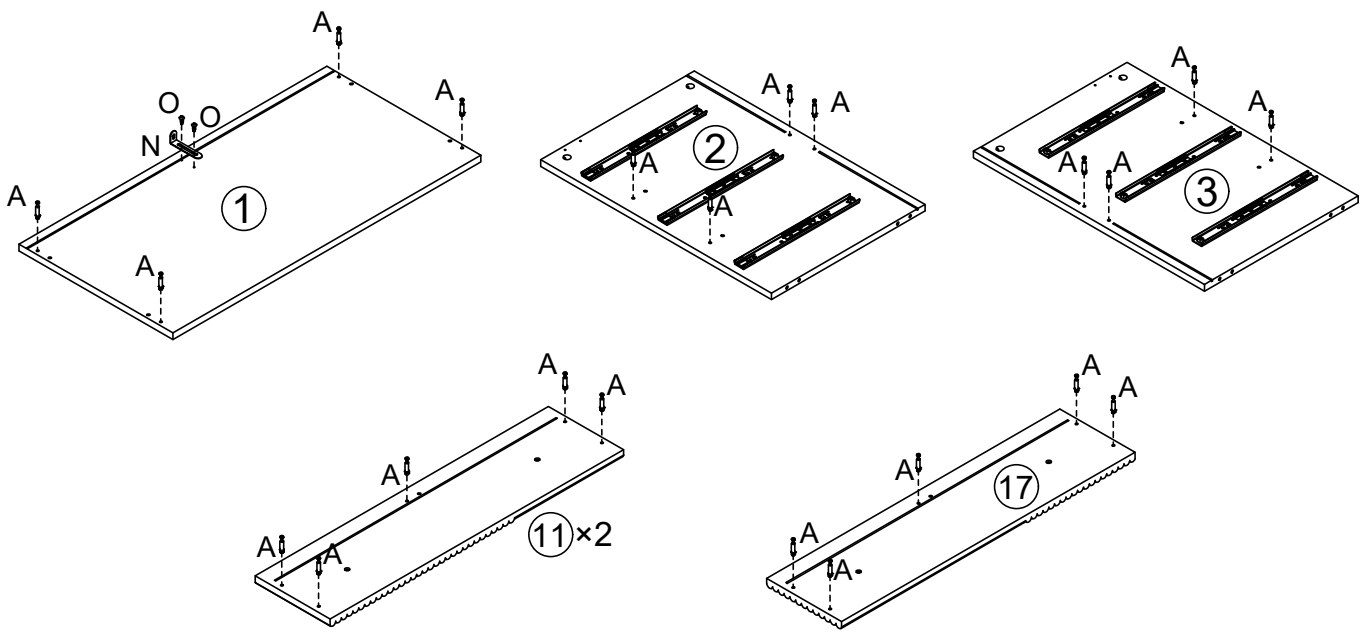
Please check you have all the fittings listed below with your product.

 M6*35mm Bolt 27pcs+3pcs extra	 Ø15x9.5mm Cam Lock 27pcs+3pcs extra	 Ø8x30mm Dowel 12pcs+1pc extra	 Ø4x35mm Screw 19pcs+2pcs extra	 Ø7x40mm Screw 4pcs	 Handle 6pcs	 M4*18mm Bolt 6pcs
 Metal Plate 4pcs	 M6*14mm Bolt 20pcs+2pcs extra	 Spring Washer 20pcs+2pcs extra	 Lock Washer 20pcs+2pcs extra	 Plastic Buckle 8pcs+1pc extra	 Ø3x16mm Screw 8pcs+1pc extra	 Wall Bracket 1pc
 Ø4x14mm Screw 6pcs	 Wall Plug 1pc	 Cover 16pcs+2pcs extra	 4mm Allen Key 1pc	 Ø6x30mm Dowel 3pcs	 Ø4x30mm Screw 2pcs	

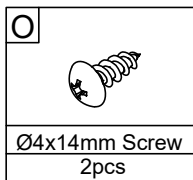
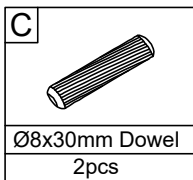
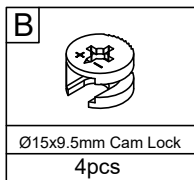
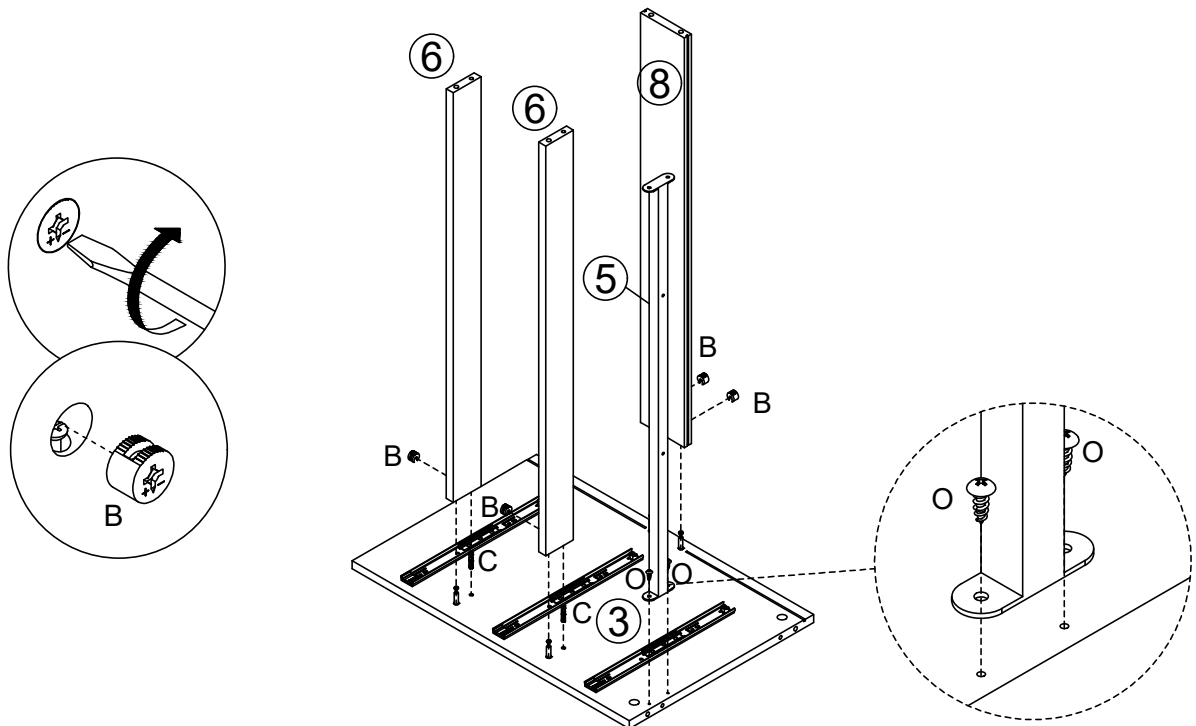
Parts list



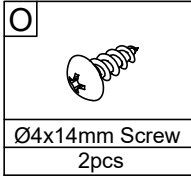
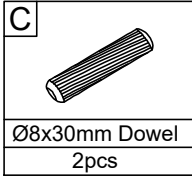
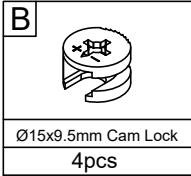
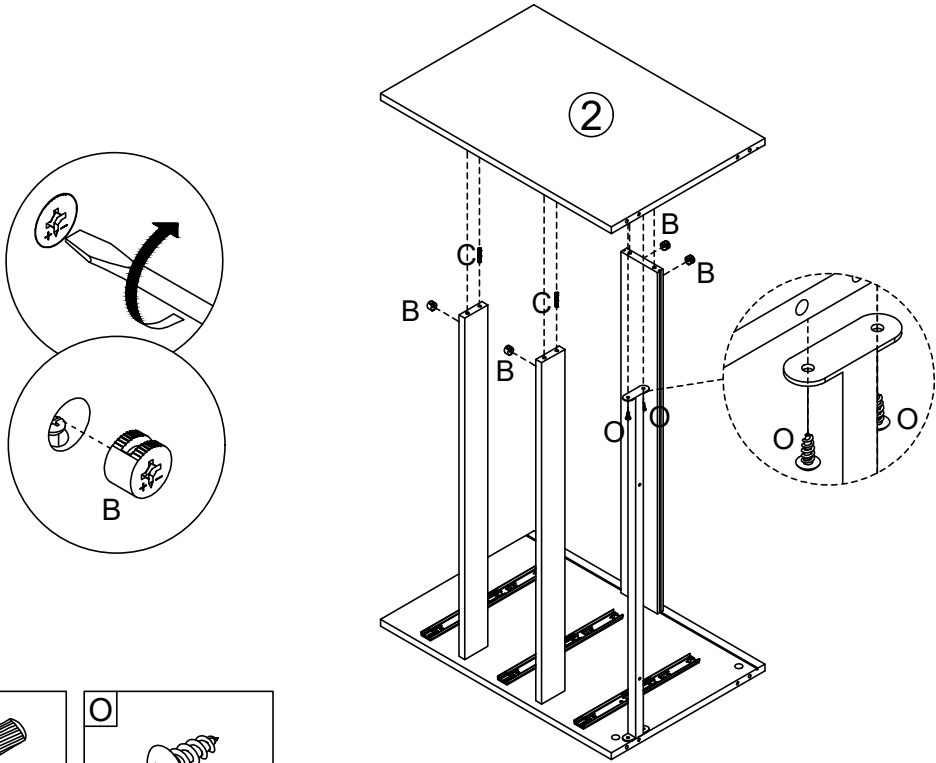
1. Attach parts to top panel, side panel and drawer front .



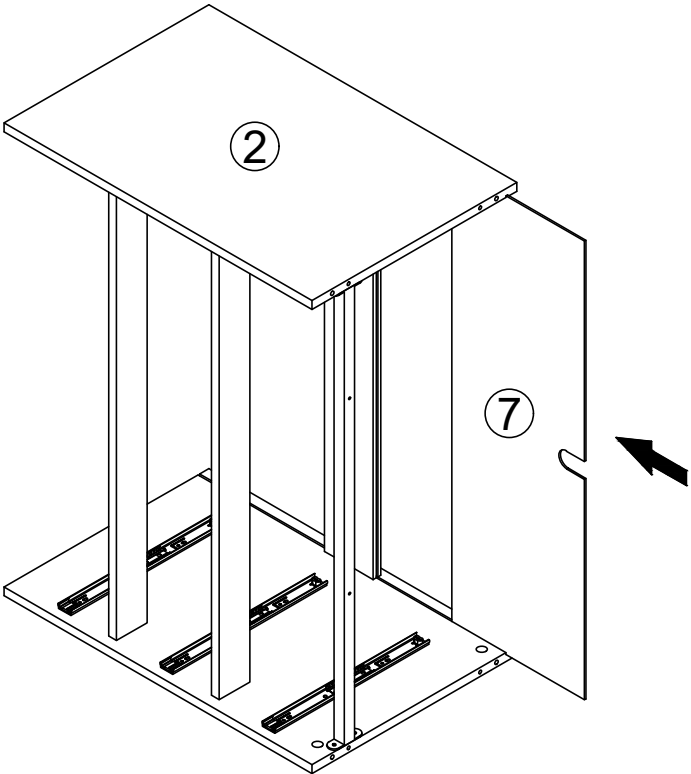
2. Attach centre support to right side panels.



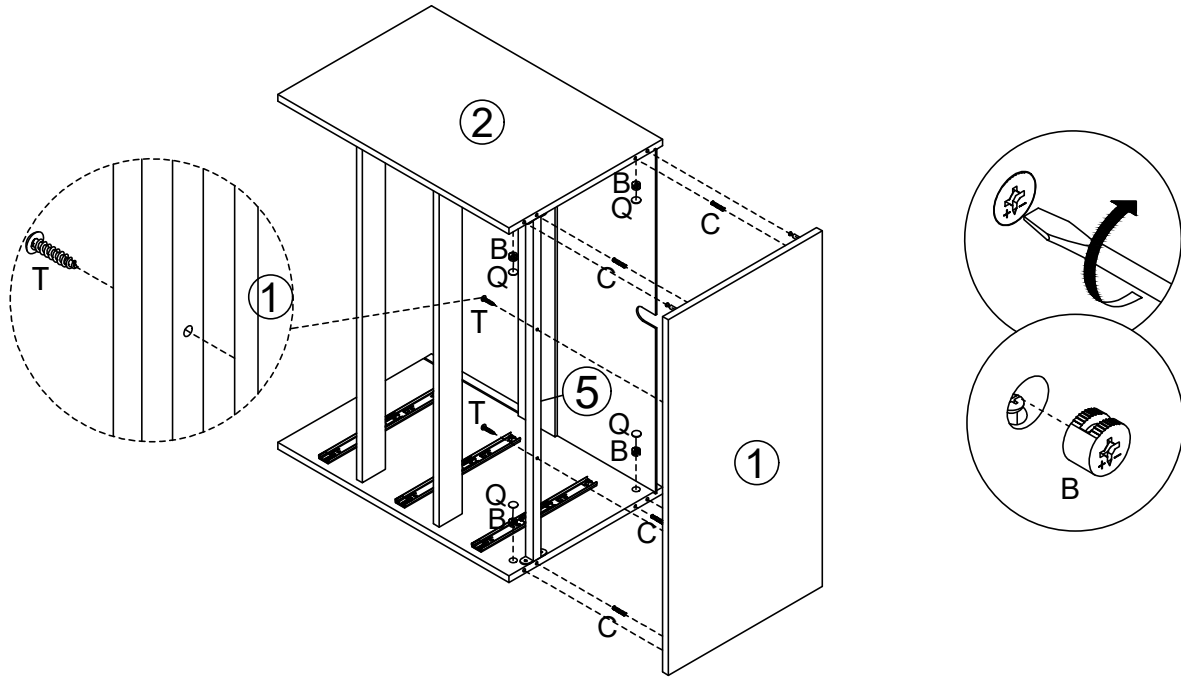
3. Attach the left side panel to the frame.


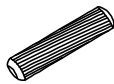

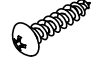


4. Assemble the back panel.

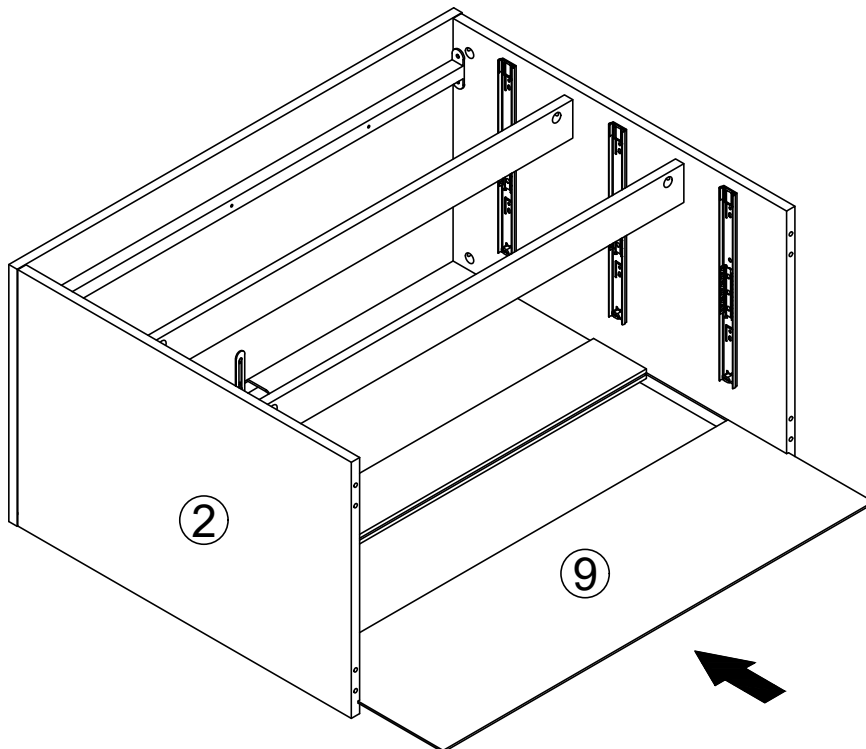


5. Attach the top panel to the frame.

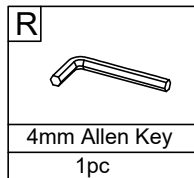
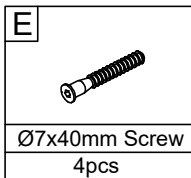
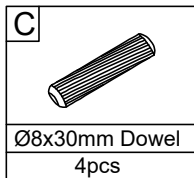
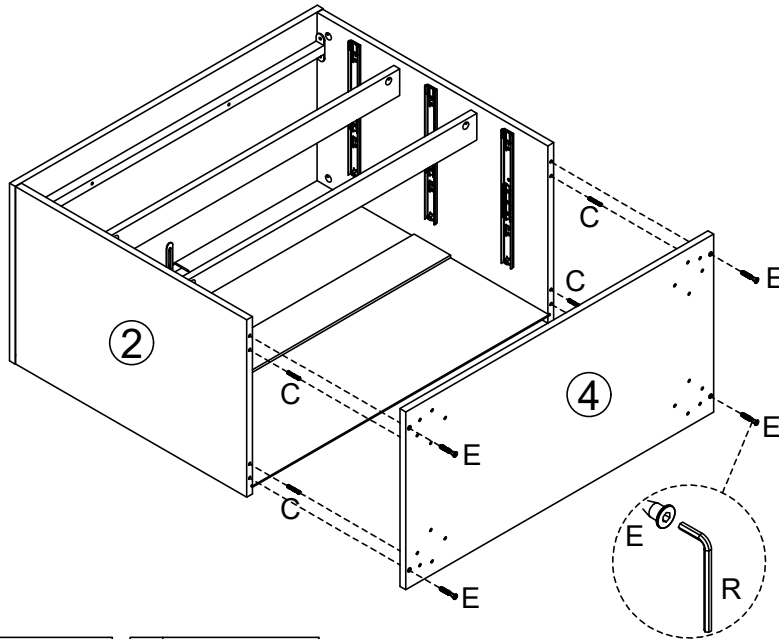


B  Ø15x9.5mm Cam Lock 4pcs	C  Ø8x30mm Dowel 4pcs	Q  Cover 4pcs	T  Ø4x30mm Screw 2pcs
--	---	---	---

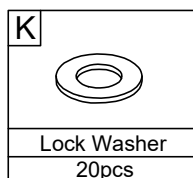
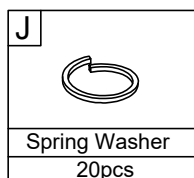
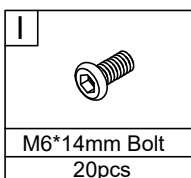
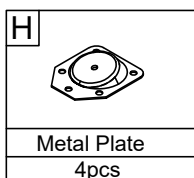
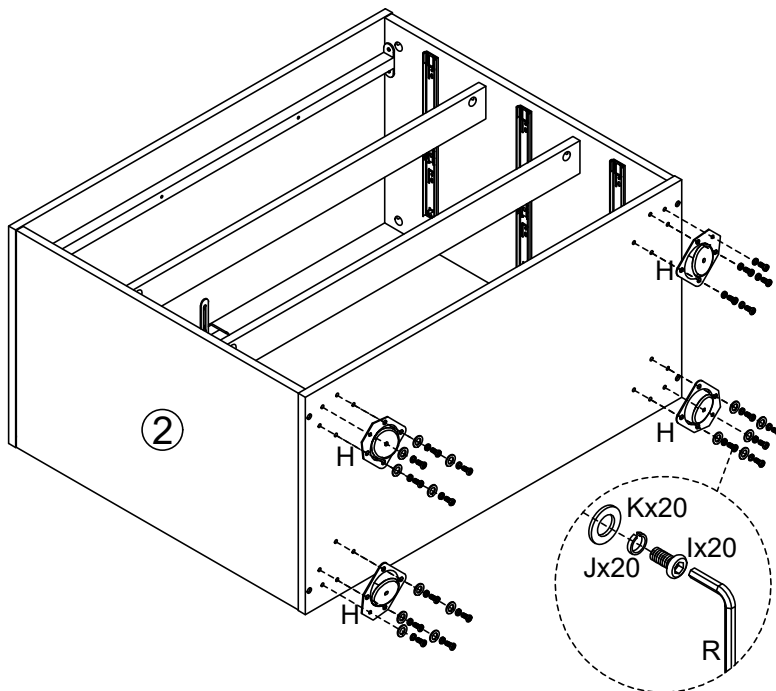
6. Assemble the back panel.



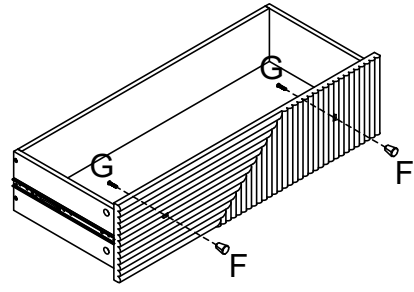
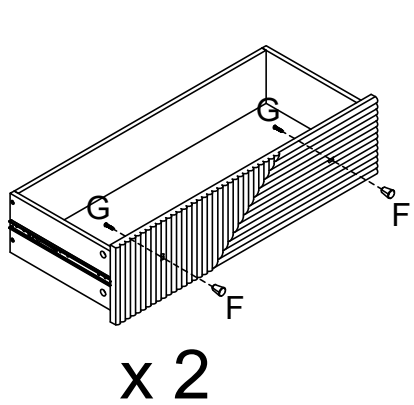
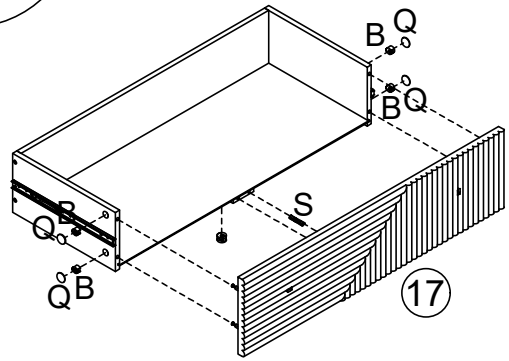
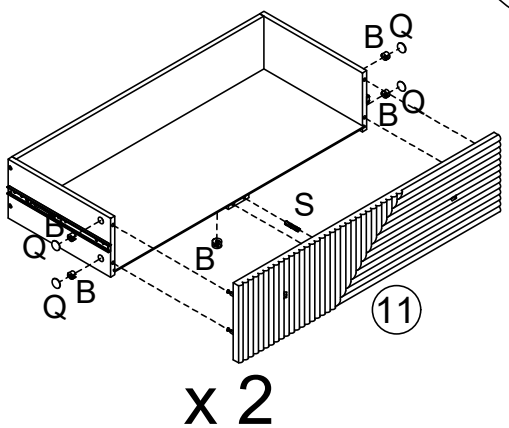
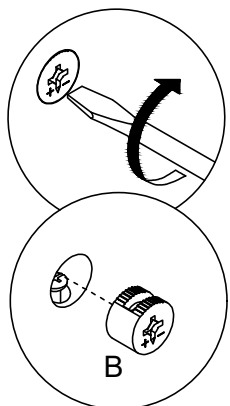
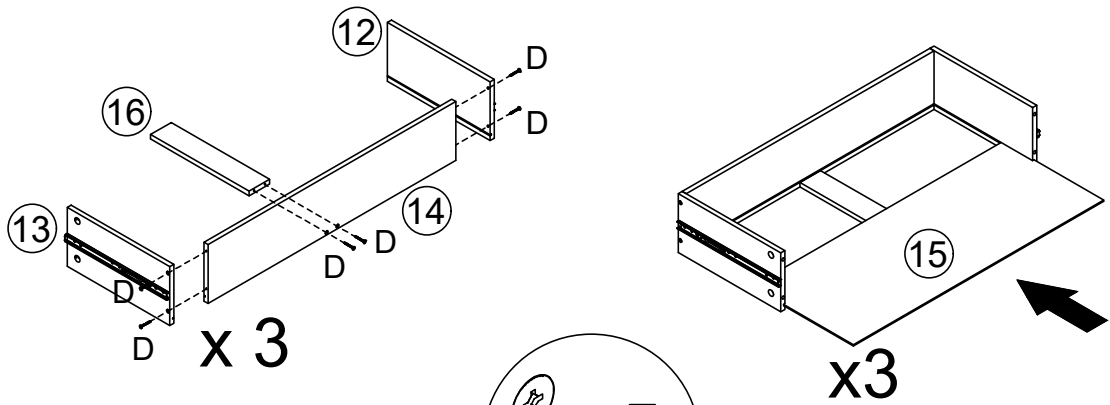
7. Attach bottom panel to the frame.



8. Attach the metal plate to the bottom panel.

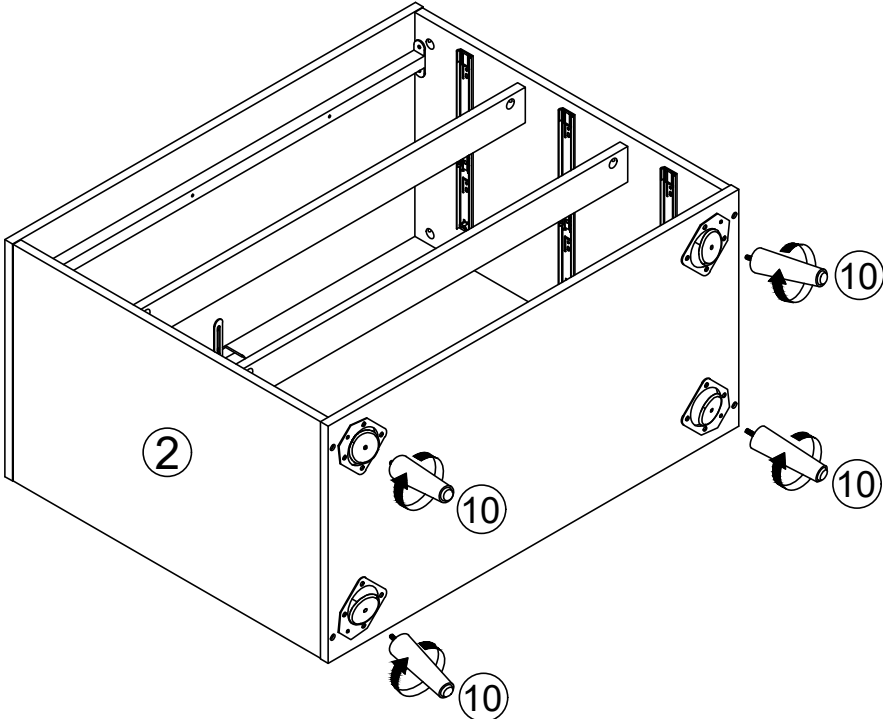


9. Assemble the drawer.

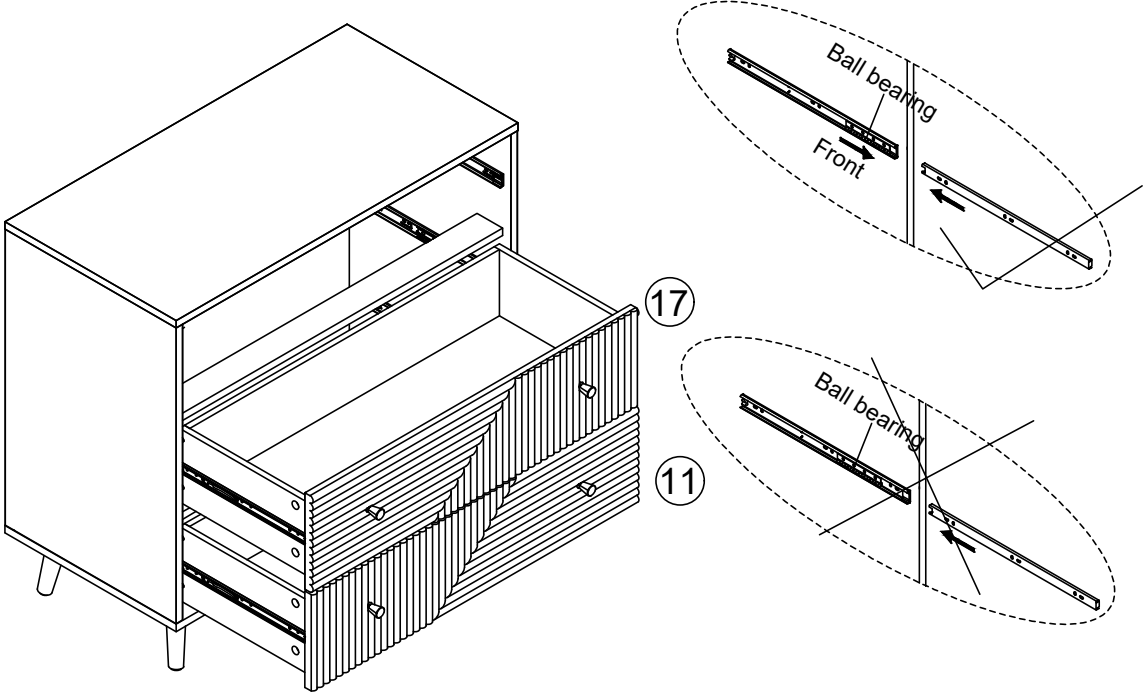


B Ø15x9.5mm Cam Lock 15pcs	D Ø4x35mm Screw 18pcs	F Handle 6pcs	G M4*18mm Bolt 6pcs	Q Cover 12pcs	S Ø6x30mm Dowel 3pcs

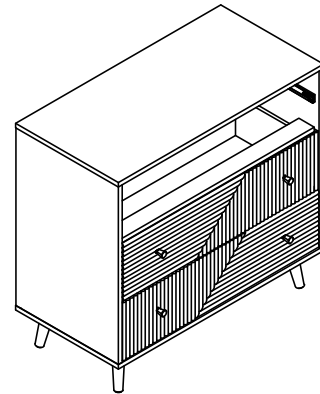
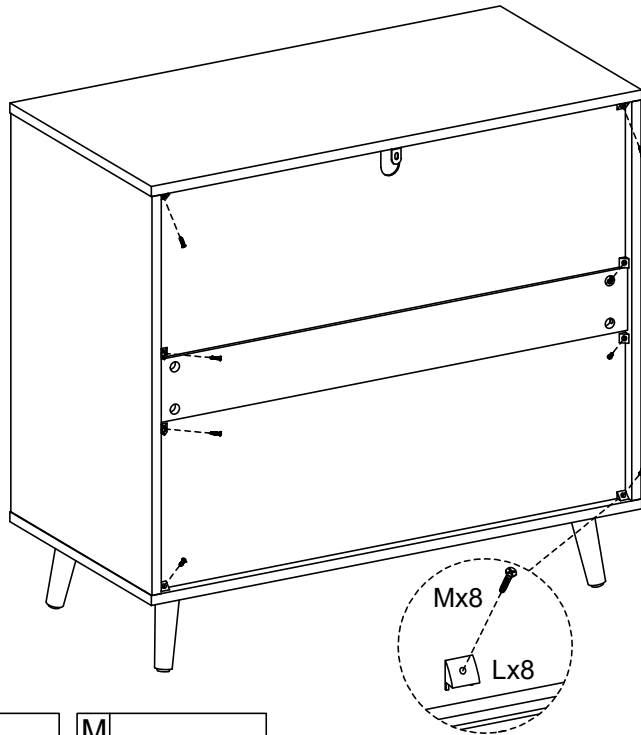
10. Attach legs to the frame.



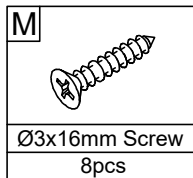
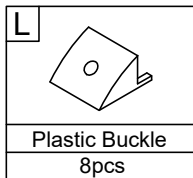
11. Assemble the drawer to the chest.



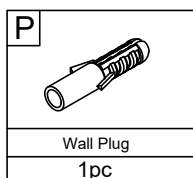
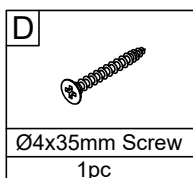
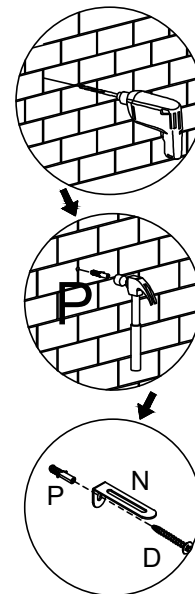
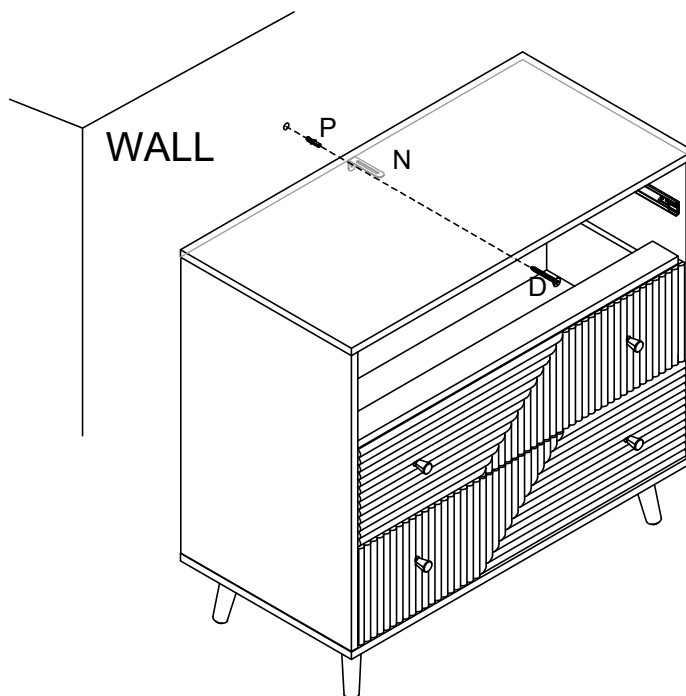
12. Attach the plastic buckle.



Manually adjust the frame slightly to ensure the drawers are in the correct position, even and parallel before attaching the plastic buckles.



13. Fix the wall bracket to the wall.



14. Assemble the drawer to the chest.

