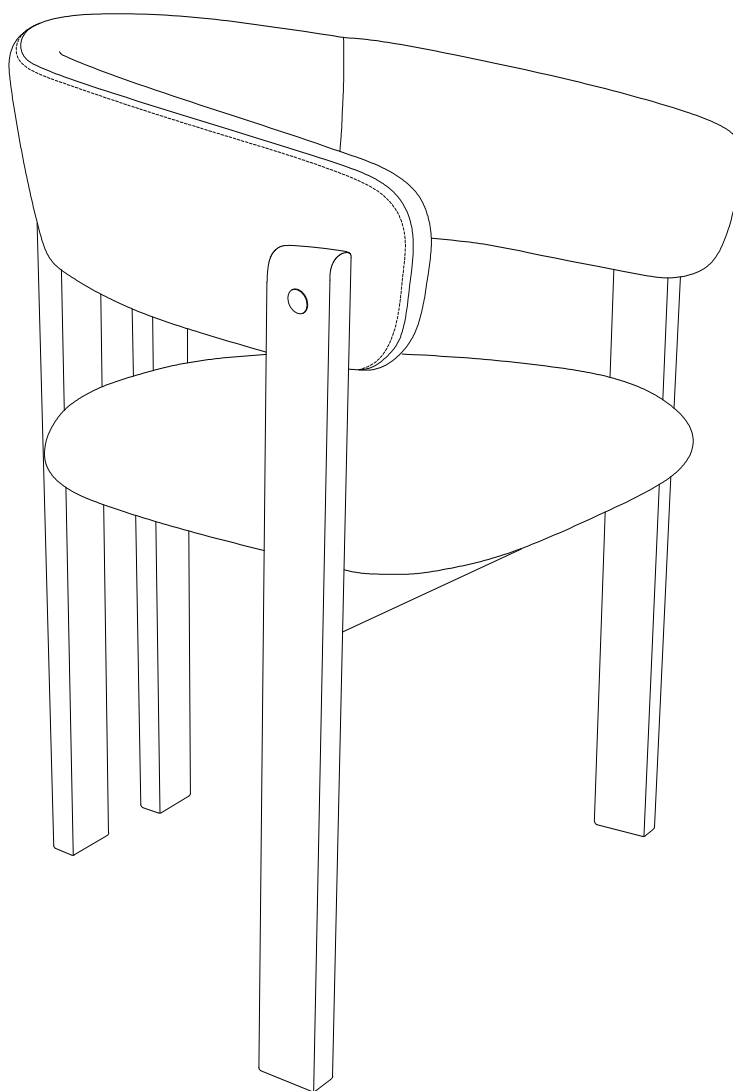


DUSK.COM

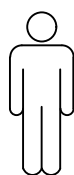
LIVING | BEDROOM | DINING

Bridget Dining Chair
Box Dimensions: W82xD61xH48 (cm)
Product Dimensions: W58xD54xH78 (cm)

Bridget Dining Chair



Up to 10 minutes
assembly time

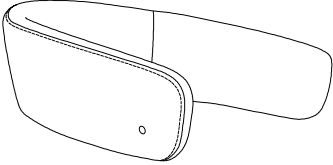
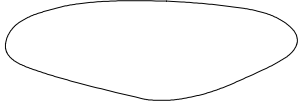
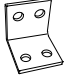
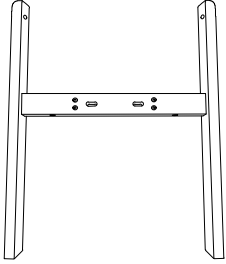
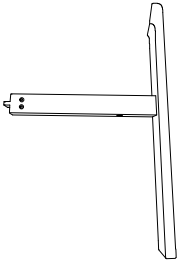
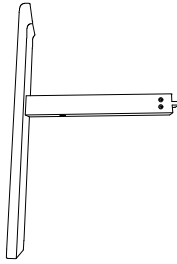


One person
assembly

V2.0







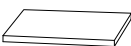
Page-1-5

Parts Check List

<div data-bbox="76 264 124 331" style="border: 1px solid black; padding: 2px; display: inline-block; font-weight: bold;">1</div> 	<div data-bbox="561 264 609 331" style="border: 1px solid black; padding: 2px; display: inline-block; font-weight: bold;">2</div> 	<div data-bbox="1056 264 1104 331" style="border: 1px solid black; padding: 2px; display: inline-block; font-weight: bold;">3</div> 
<p style="text-align: center;">Back 1pc</p>	<p style="text-align: center;">Seat 1pc</p>	<p style="text-align: center;">Connecting iron 2pcs</p>
<div data-bbox="76 766 124 833" style="border: 1px solid black; padding: 2px; display: inline-block; font-weight: bold;">4</div> 	<div data-bbox="561 766 609 833" style="border: 1px solid black; padding: 2px; display: inline-block; font-weight: bold;">5</div> 	<div data-bbox="1056 766 1104 833" style="border: 1px solid black; padding: 2px; display: inline-block; font-weight: bold;">6</div> 
<p style="text-align: center;">Front leg 1pc</p>	<p style="text-align: center;">Left rear leg 1pc</p>	<p style="text-align: center;">Right rear leg 1pc</p>

Fittings Check List

please check you have all the fittings listed below with you product

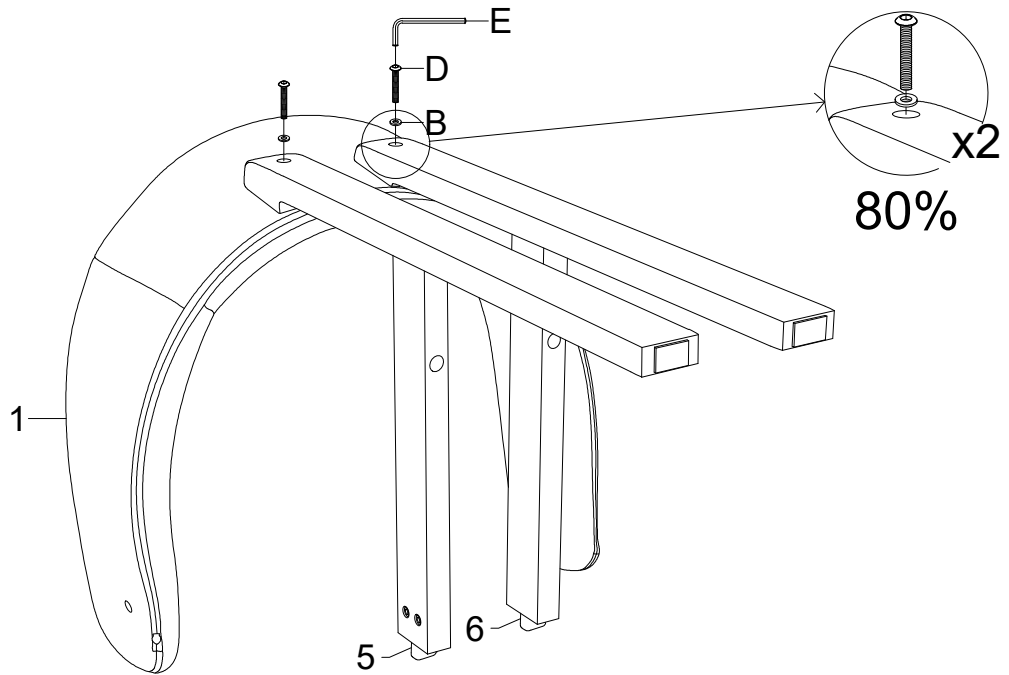
<div data-bbox="71 1438 119 1505" style="border: 1px solid black; padding: 2px; display: inline-block; font-weight: bold;">A</div> 	<div data-bbox="438 1438 486 1505" style="border: 1px solid black; padding: 2px; display: inline-block; font-weight: bold;">B</div> 	<div data-bbox="810 1438 858 1505" style="border: 1px solid black; padding: 2px; display: inline-block; font-weight: bold;">C</div> 	<div data-bbox="1182 1438 1230 1505" style="border: 1px solid black; padding: 2px; display: inline-block; font-weight: bold;">D</div> 
<p style="text-align: center;">M6*20MM 8pcs+1pc extra</p>	<p style="text-align: center;">6*12*1.2MM 8pcs+1pc extra</p>	<p style="text-align: center;">M6*50MM 4pcs+1pc extra</p>	<p style="text-align: center;">M6*35MM 4pcs+1pc extra</p>
<div data-bbox="71 1774 119 1841" style="border: 1px solid black; padding: 2px; display: inline-block; font-weight: bold;">E</div> 	<div data-bbox="438 1774 486 1841" style="border: 1px solid black; padding: 2px; display: inline-block; font-weight: bold;">F</div> 	<div data-bbox="810 1774 858 1841" style="border: 1px solid black; padding: 2px; display: inline-block; font-weight: bold;">G</div> 	
<p style="text-align: center;">M6 1pc</p>	<p style="text-align: center;">Wood cap 4pcs+1pc extra</p>	<p style="text-align: center;">Felt pad 2pcs extra</p>	

Step 1: Attach these legs (5) (6) to the back (1).
Remember do not tighten fully until the structure is assembled.

B  2pcs

D  2pcs

E  1pc

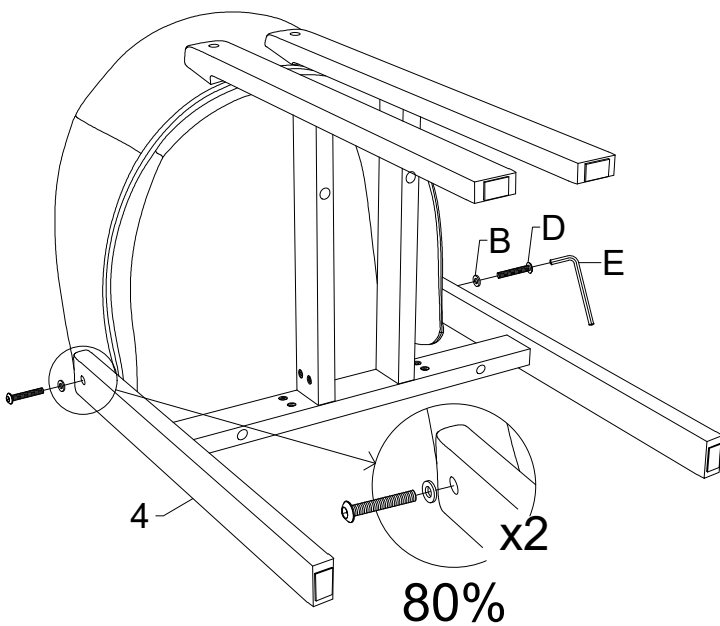


Step 2: Insert the assembled rear legs into the mounting holes of the front leg (4), then tighten the screws.

B  2pcs

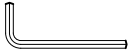
D  2pcs

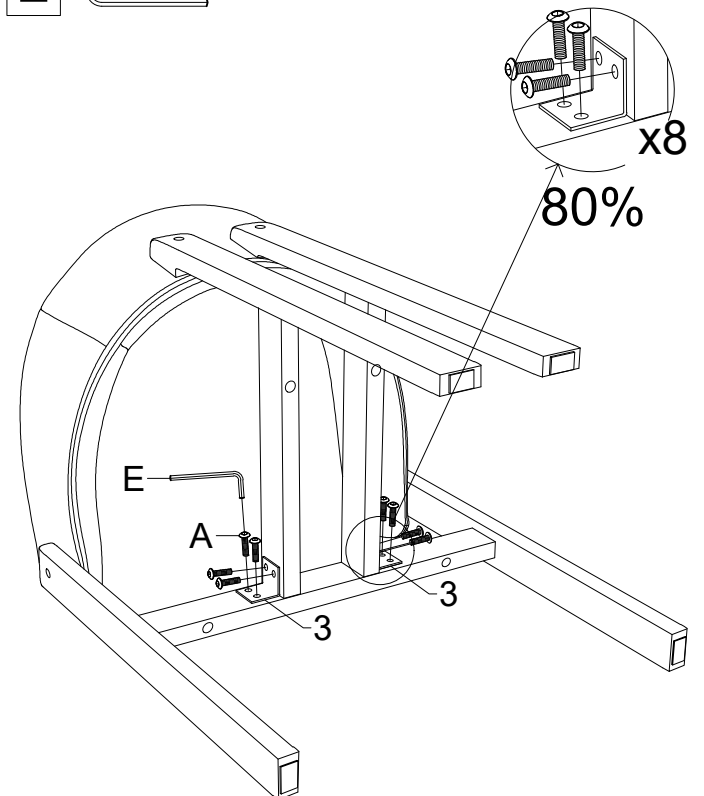
E  1pc



Step 3: Install the connecting brackets (3) for the front and rear legs.

A  8pcs

E  1pc

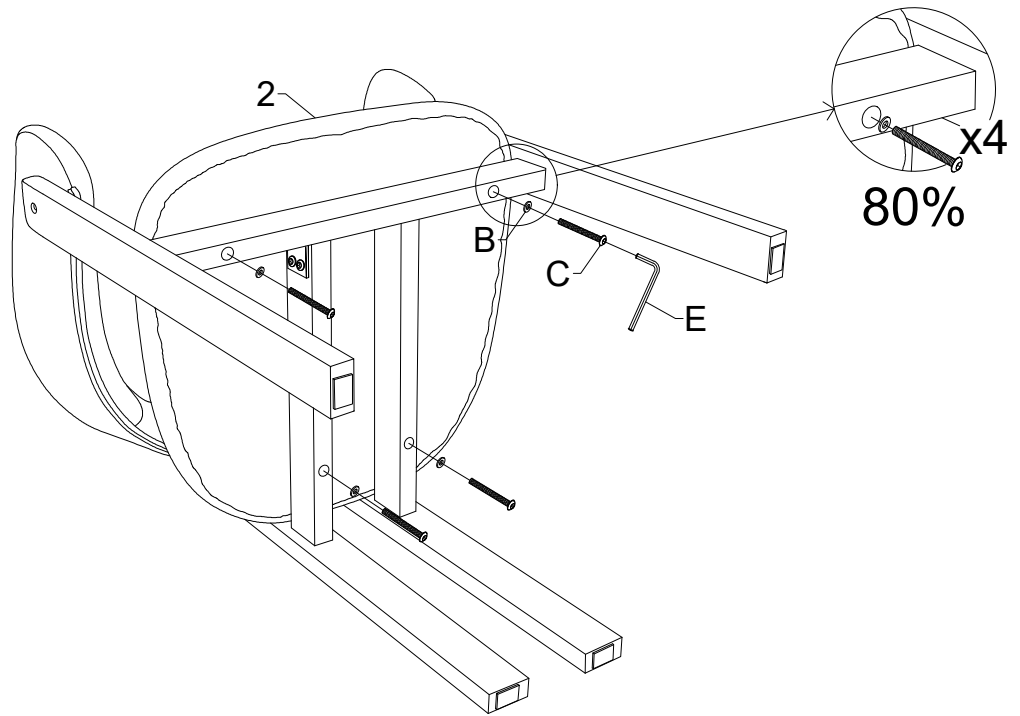


Step 4: Attach the seat (2) to the assembled frame.

B  4pcs

C  4pcs

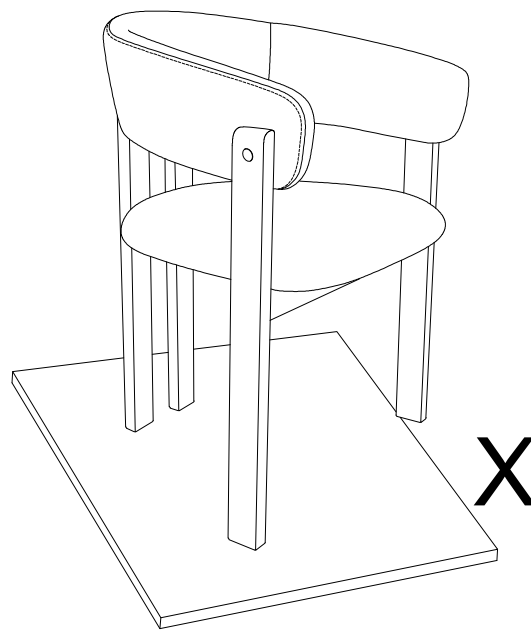
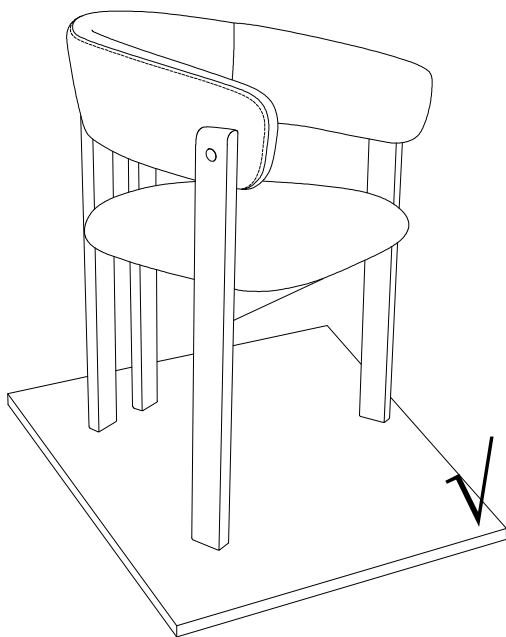
E  1pc



Step 5: Put the assembled chair onto a flat base and then fully tighten all bolts. Finally, insert the wood cap (F).

F  4pcs

100%



Care and Maintenance

- 1.Clean with your vacuum curtain attachment (the one with a lint-catching fabric strip) or a lint roller to stop dust build up.Do this regularly to keep the chair in its best condition.
- 2.Try to keep your chair away from direct sunlight, and not too close to heat sources, as this can cause fading over time.Do not allow the chair to make direct contact with any radiators or sources of heat.
- 3.Wipe up the spillages as quickly as possible by gently dabbing or blotting with a dry cloth until the mark fades away. Some tougher spills, such as oil and grease,can be more persistent and leave a stain. In this case, it's best to contact a specialist cleaning service.
- 4.Do not drag the chair. When moving, lift the chair off the floor.
- 5.Keep children and pets away while assembling the chair. Small parts could be a choking hazard.
- 6.Re-tighten all nuts and bolts after two weeks of use and regularly thereafter.
- 7.Do not sit on the arms of the chair.
- 8.Do not jump on the chair.
- 9.Only use the chair on a flat and level surface.
- 10.Dispose of all packaging carefully and responsibly - recycle where possible.
- 11.This product is intended for domestic use only, not commercial purposes.

Important

Assembly Tip

Before you begin, it's best to identify all of the parts and fittings to build your chair.

We advise laying these out on the floor to check you have everything, and to familiarise your-self with all of the parts and fittings before building.

Top Tip

We recommend that you build your new chair in the room you'd like it to be located. This will help prevent any risk of damage to the frame whilst moving it.

Safety and Care

It's important to ensure children and animals are kept away from the assembly area.As there are small components used in this product which could present a choking hazard.All plastic and wrapping materials should also be kept away from children and animals to prevent any risk of suffocation.

Help and Support

Please contact our customer service team on 0113 519 0311 if you have any questions or issues with your purchase.

Recycling

Please ensure that packaging is disposed of in a safe and environmentally friendly way, and recycle where possible.Please keep your assembly instructions safe to refer back to in the future.