

DUSK.COM

LIVING | BEDROOM | DINING

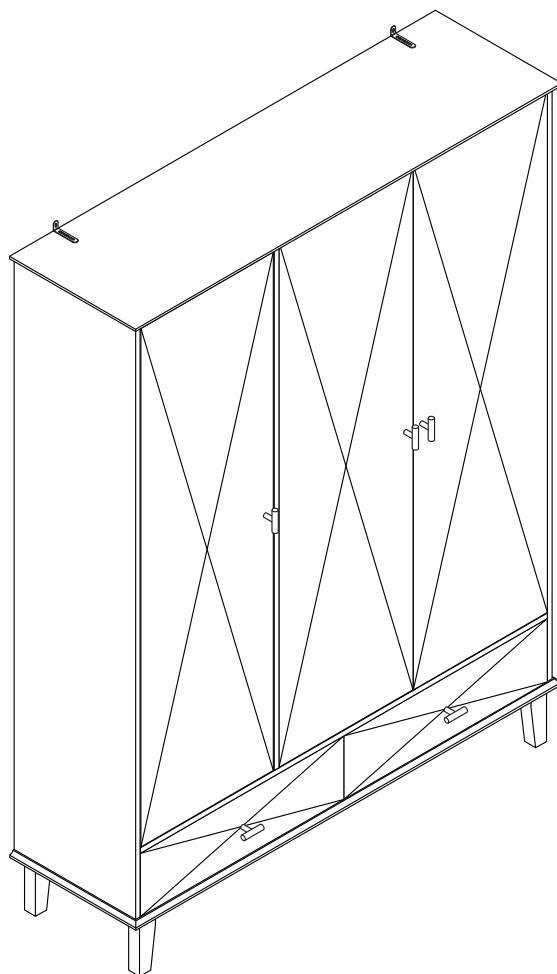
Range Name: Brianna

Box1 Dimensions: W178xD62.5xH19 (cm)

Box2 Dimensions: W152xD64xH24 (cm)

Product Dimensions: W135xD55xH180 (cm)

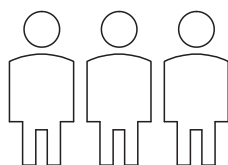
3 door wardrobe - walnut



THIS INSTRUCTION BOOKLET CONTAINS IMPORTANT SAFETY INFORMATION.
PLEASE READ AND KEEP FOR FUTURE REFERENCE.



Up to 120 minutes
assembly time



Three person
assembly



Electric screwdriver
prohibited

This product is intended for domestic use only, not for commercial purposes.

V-1.0
P-1/18

IMPORTANT

ASSEMBLY TIP

Before you begin, it's best to identify all of the parts and fittings to build your 3 door wardrobe frame. We advise laying these out on the floor to check you have everything, and to familiarise yourself with all of the parts and fittings before building.

TOP TIP

We recommend that you assemble the bedside in the room you'd like it to be located. This will help prevent any risk of damage to the frame whilst moving it.

SAFETY AND CARE

1. It's important to ensure children and animals are kept away from the assembly area, as there are small components used in this product which could present a choking hazard. All plastic and wrapping materials should also be kept away from children and animals to prevent any risk of suffocation.
2. Do not stand on your product.
3. Always use the item on firm level ground, ensuring all legs remain in contact with the ground.
4. Place heaviest items in the lowest drawers.
5. Do not set TV or other heavy objects on top of the product.
6. Children should always be under supervision whilst using this product. Never allow children to climb on the drawers.
7. Never keep more than one drawer open at the same time.
8. In order to prevent overturning, this product must be used with the wall attachment device provided.
9. Serious or fatal crushing injuries can occur from tipping furniture.

HELP AND SUPPORT

Please contact our customer service team on 0113 519 0311 if you have any questions or issues with your purchase.

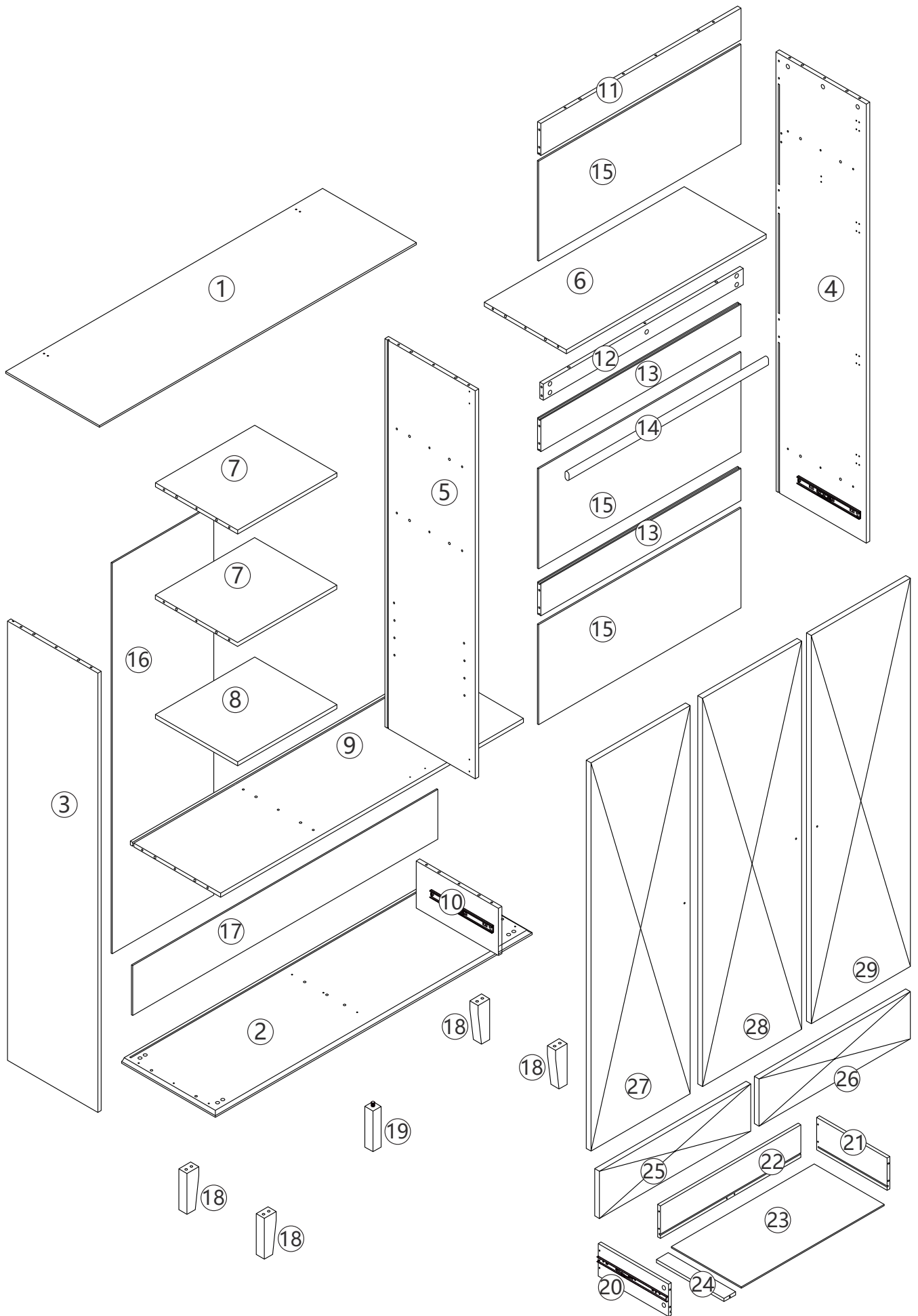
RECYCLING

Please ensure that packaging is disposed of in a safe and environmentally friendly way, and recycle where possible. Please keep your assembly instructions safe to refer back to in the future.

CARE AND MAINTENANCE

1. Only clean using a damp cloth, do not use bleach or abrasive cleaners as they may damage the finish over time.
2. Do not use a very wet cloth or allow any liquid to contact with the surface for a long period of time. Wipe any spillage immediately. Absorption can cause wood to warp or finishes to de-laminate.
3. Do not scrub or rub the surface when cleaning.
4. Do not drag the 3 door wardrobe when moving, lift it off the floor instead.
5. Use a placemat or a coaster when putting hot items (e.g. hot drinks and dishes) on the wood surface.
6. It is not recommended to place the item next to sources of heat such as radiators, fires or directly exposed to sunlight. This may cause the wood to crack, split or fade due to the heat and humidity.
7. Wood will mellow and change colour over time, we recommend that ornaments and items placed on the surface to be moved regularly to prevent uneven mellowing.
8. Regularly check all fixings to ensure none have come loose. Re-tighten if necessary.
9. Avoid sharp items such as a screwdriver or any pointy tools.

Parts list



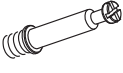


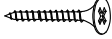



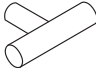

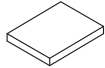

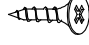


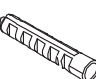

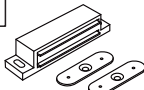




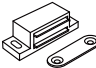


Parts list

Before you begin building your 3 door wardrobe, please take a moment to read through the instructions and make sure that you have all the relevant parts listed on the parts check list.



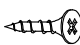

Part Number	Part Description	Quantity	Box No
1	Top Panel	1 pc	Box2
2	Bottom Panel	1 pc	Box2
3	Left Side Panel With Slide Pre-assembled	1 pc	Box1
4	Right Side Panel With Slide Pre-assembled	1 pc	Box1
5	Middle Panel	1 pc	Box1
6	Shelf Side Panel	1 pc	Box2
7	Shelf Side Panel	2 pcs	Box2
8	Shelf Side Panel	1 pc	Box2
9	Shelf Centre Panel	1 pc	Box2
10	Middle Panel	1 pc	Box2
11	Back Support Bar	1 pc	Box2
12	Back Support Bar	1 pc	Box2
13	Back Support Bar	2 pcs	Box2
14	Hanging Bar	1 pc	Box2
15	Back Panel	3 pcs	Box2
16	Back Panel	1 pc	Box1
17	Back Panel	1 pc	Box2
18	Leg	4 pcs	Box2
19	Centre Leg	1 pc	Box2
20	Drawer Left Side With Slide Pre-assembled	2 pcs	Box2
21	Drawer Right Side With Slide Pre-assembled	2 pcs	Box2
22	Drawer Back Side	2 pcs	Box2
23	Drawer Bottom	2 pcs	Box2
24	Drawer Bottom Support Bar	2 pcs	Box2
25	Left Drawer Front	1 pc	Box2
26	Right Drawer Front	1 pc	Box2
27	Left Door Panel	1 pc	Box1
28	Centre Door Panel	1 pc	Box1
29	Right Door Panel	1 pc	Box1

Fittings

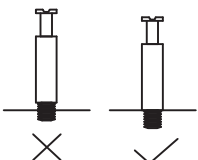
Please check you have all the fittings listed below with your product in Box2.

A 	B 	C 	D 	E 	F 	G 
M5*35mm Cam Lock Screw	Ø15*10mm Cam Lock	Ø8*30mm Dowel	M4*35mm Screw	Cover	Plastic Buckle	M3*16mm Screw
67pcs+4pcs extra	67pcs+4pcs extra	36pcs+4pcs extra	12pcs+1pc extra	22pcs+2pcs extra	34pcs+4 pcs extra	42pcs+4pcs extra
H 	I 	J 	K 	L 	M 	N 
Handle	M4*12mm Bolt	Mat	M4*40mm Screw	M4*14mm Screw	Wall Bracket	M4*12mm Screw
5pcs	2pcs	4pcs	14pcs+1pc extra	76pcs+4pcs extra	2pcs	4pcs
O 	P 	Q 	R 	S 	T 	U 
M8*40mm Wall Anchor	Tube Bracket	Door Catch	M3*12mm Screw	Hinge	M8*35mm Hex Screw	Hex Key
2pcs	2pcs	2pcs	8pcs+1pc extra	12pcs	8pcs+1pc extra	1pc
V 	W 	X 				
Door Catch	Shelf Support	M4*18mm Bolt				
2pcs	4pcs	3pcs				

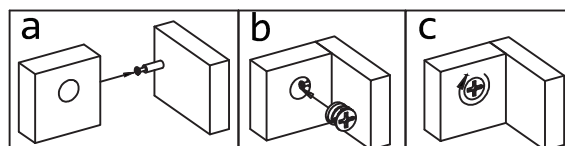
Pre- assembled Fitting

Y1 	Y2 	Z 	a 
Slide	Slide	M3.5*12mm Screw	Adjustable Foot
4pcs	4pcs	24pcs	1pc

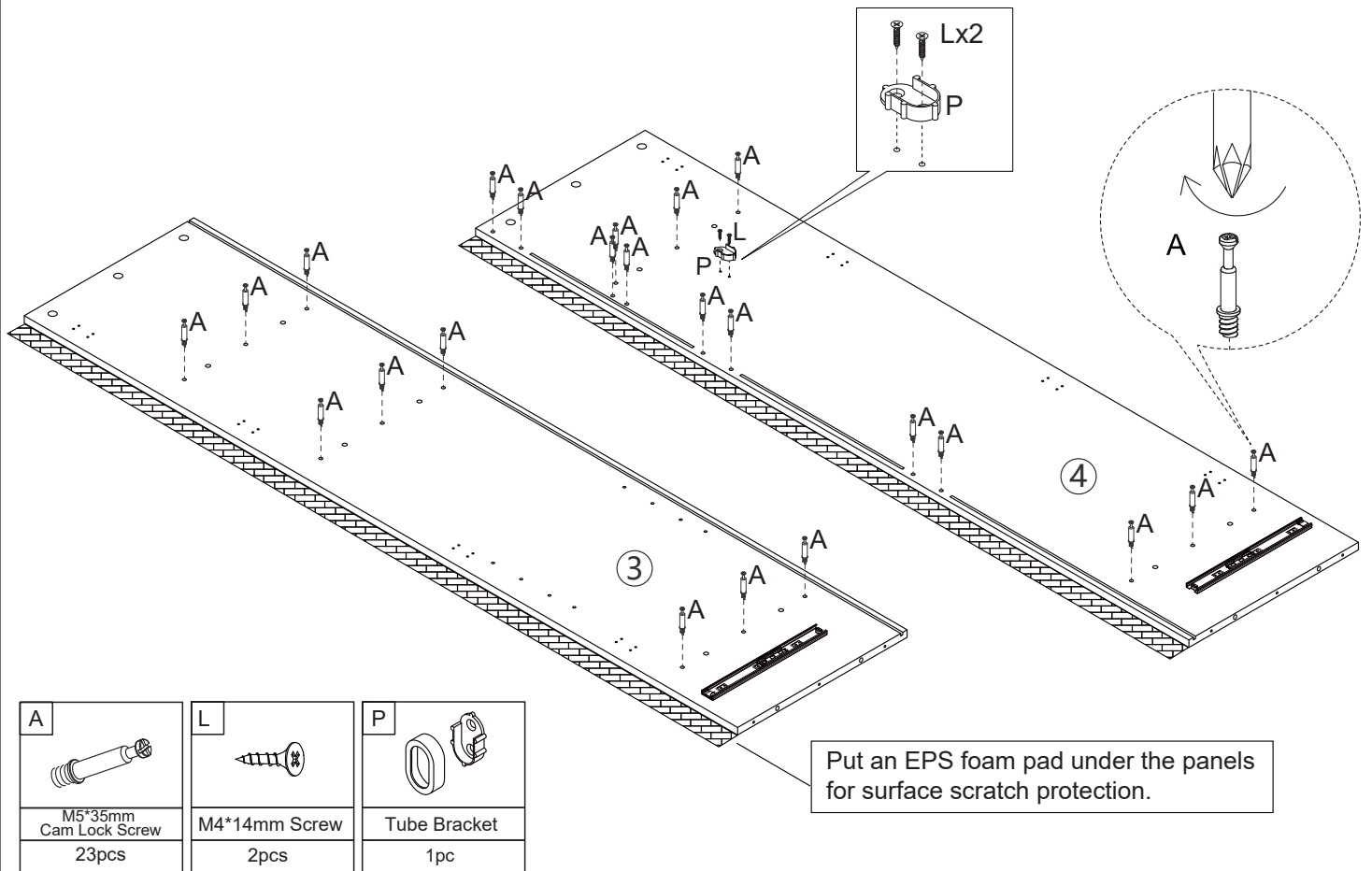
Ensure the cam lock screws are installed correctly, as indicated by the "check mark" below.



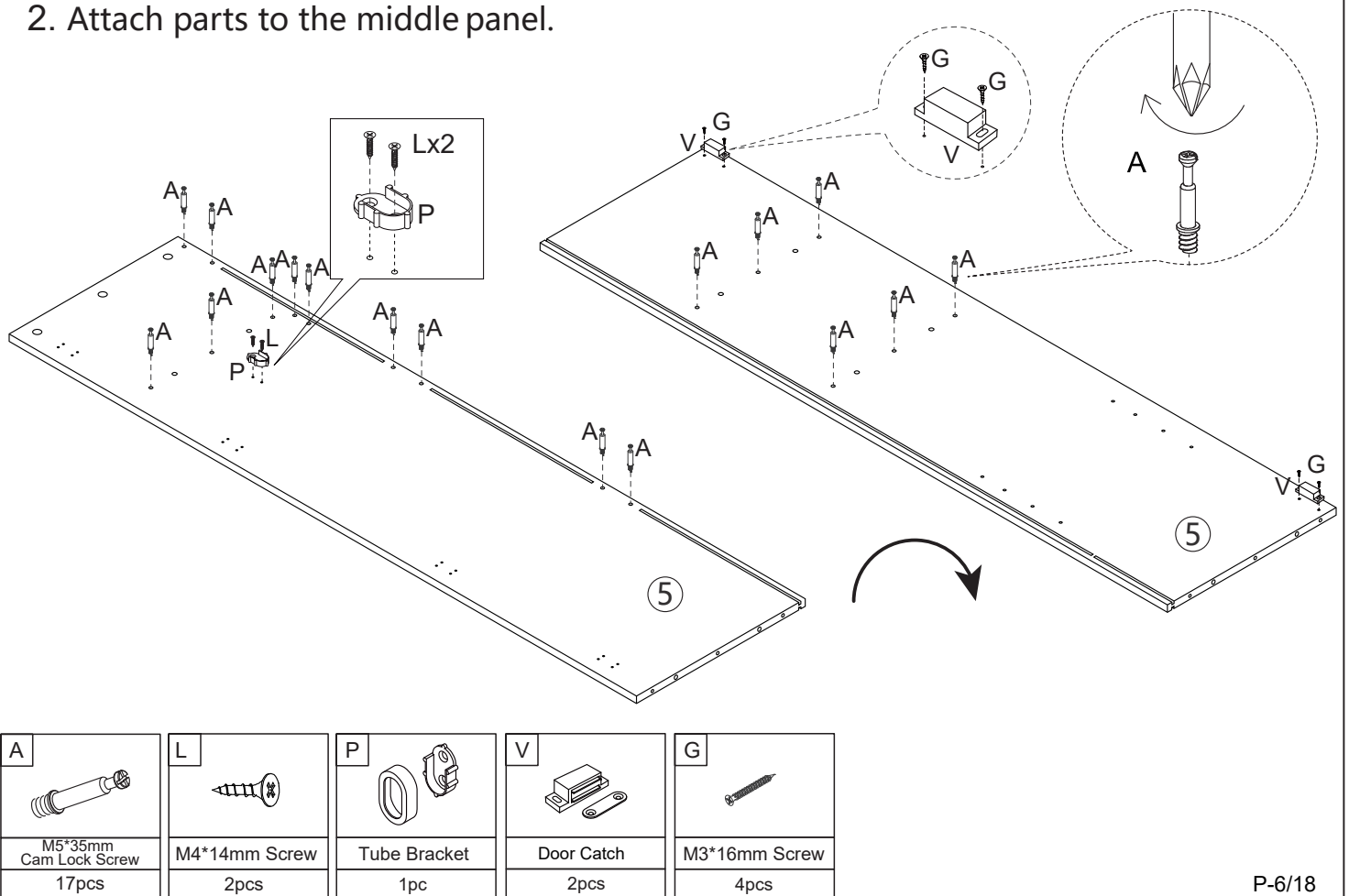
Refer to the illustration below to correctly use the cam lock screws for assembling the panels.



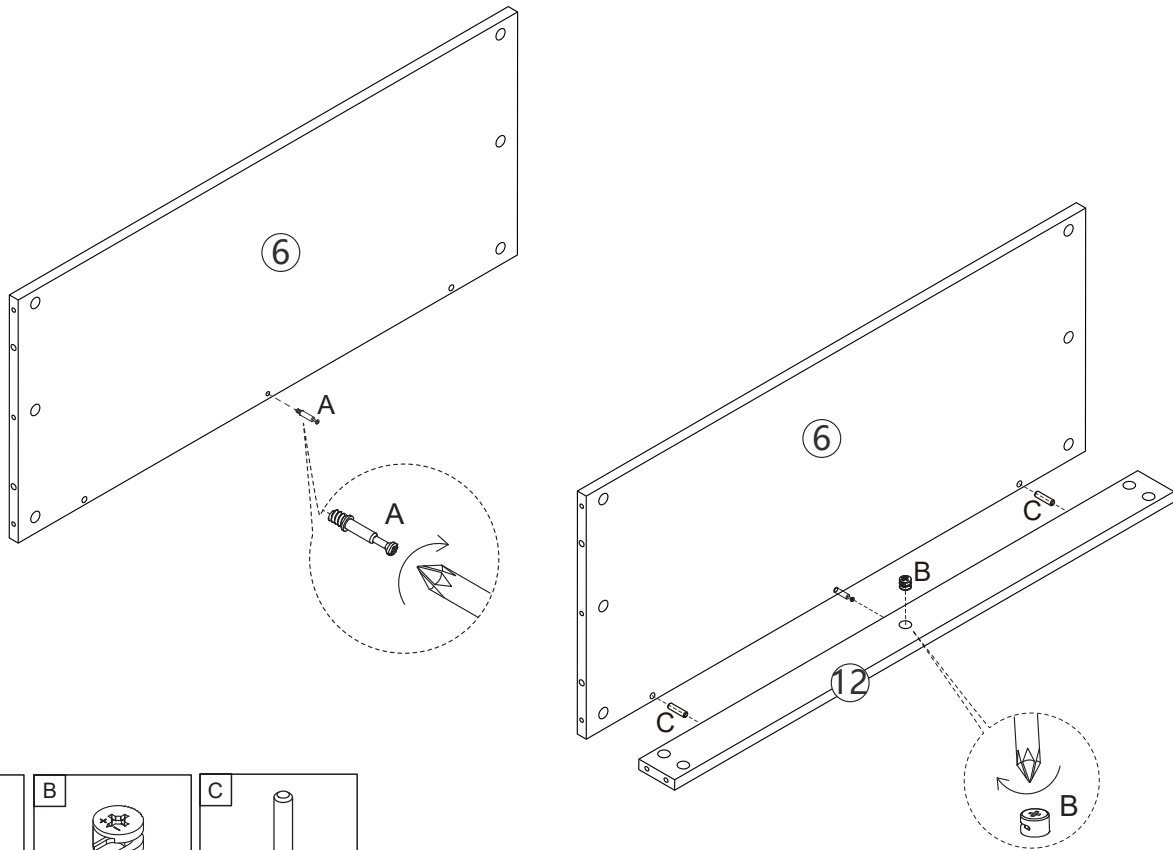
1. Attach parts to the side panel.

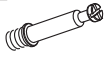




2. Attach parts to the middle panel.

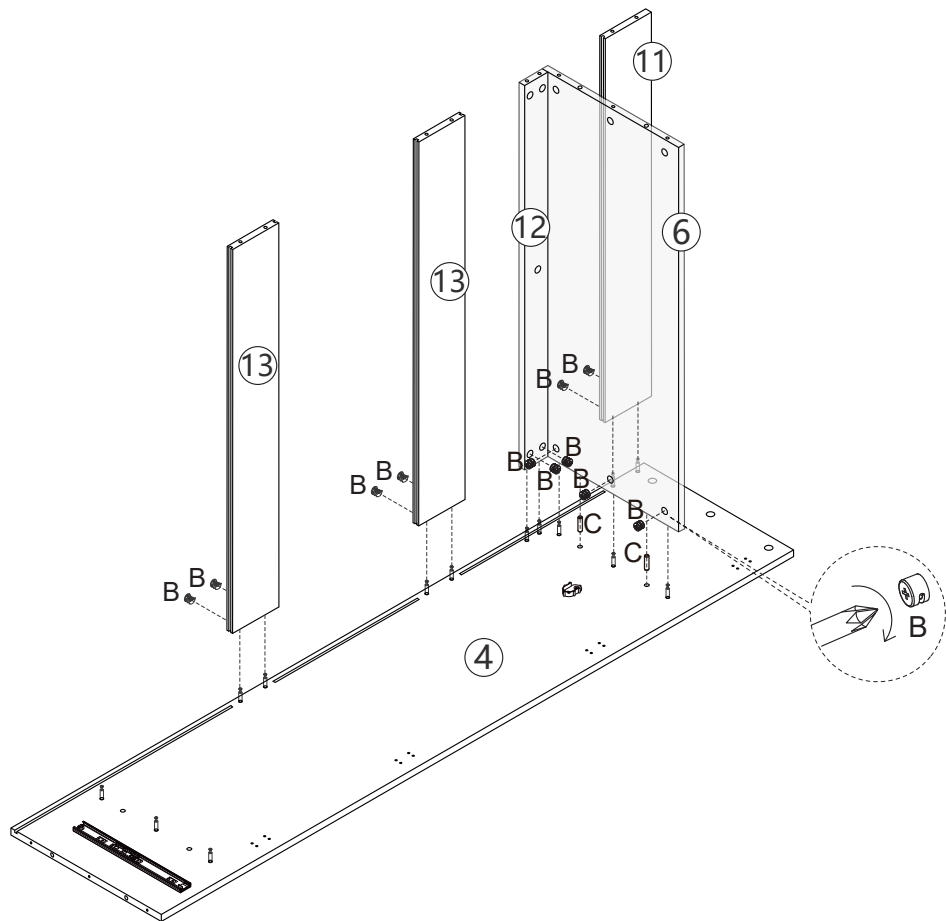




3. Assemble the panels of each part together according to the diagram.



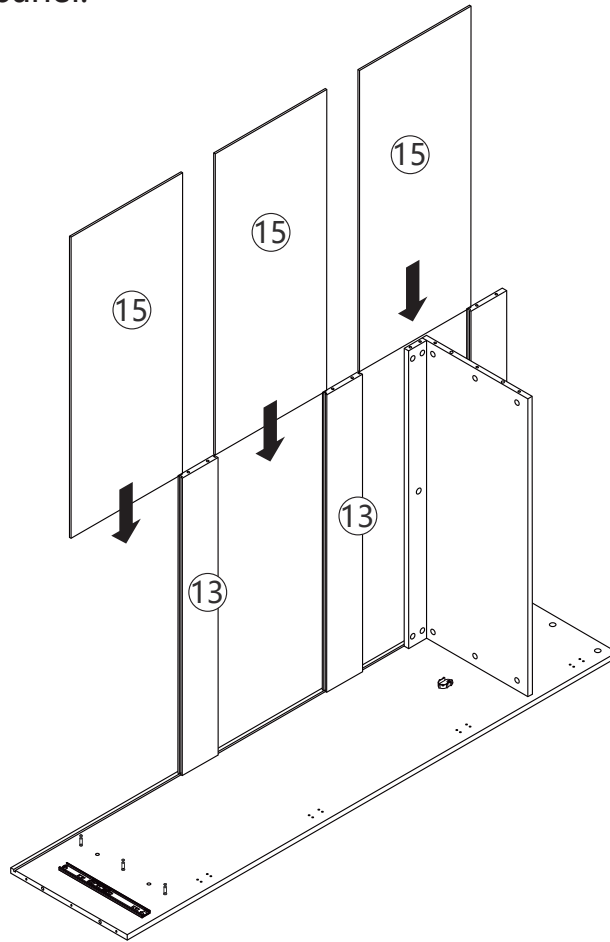
A	B	C
 M5*35mm Cam Lock Screw 1pc	 Ø15*10mm Cam Lockk 1pc	 Ø8*30mm Dowel 2pcs

4. Assemble the panels of each part together according to the diagram.

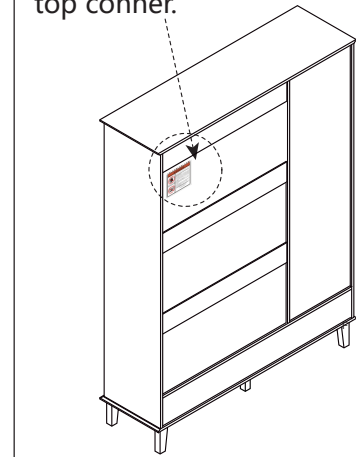


B	C
 Ø15*10mm Cam Lockk 11pcs	 Ø8*30mm Dowel 2pcs

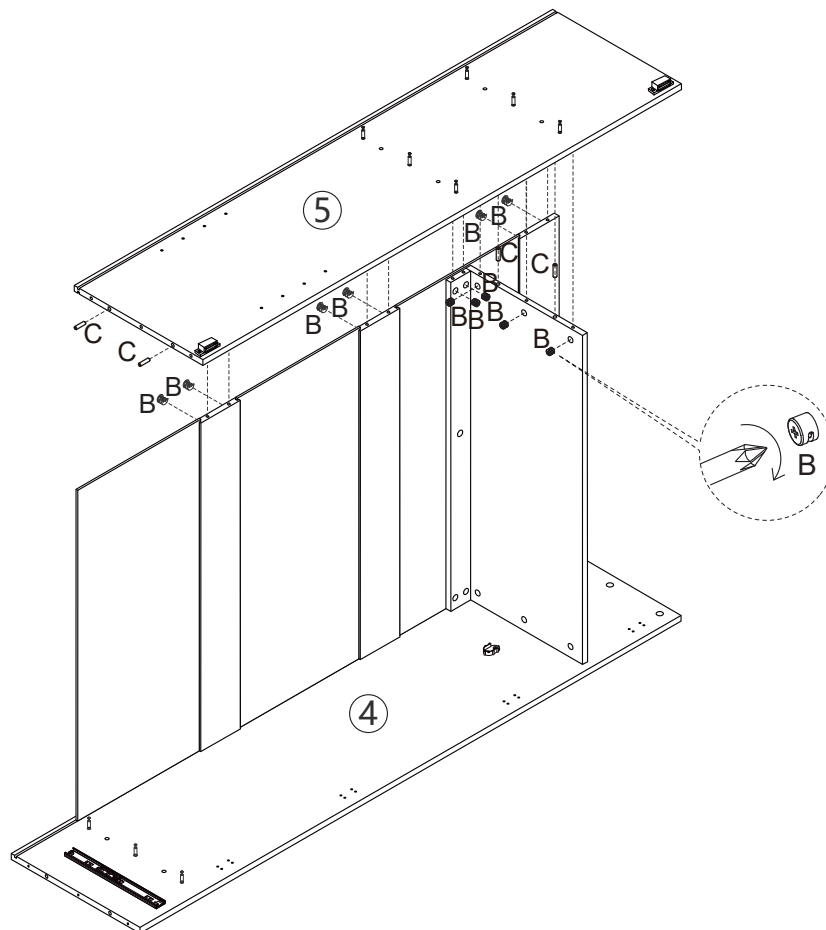
5. Assemble back panel.





Warning label is placed on the left top corner.

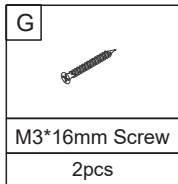
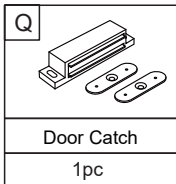
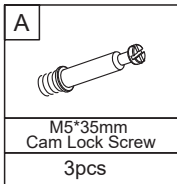
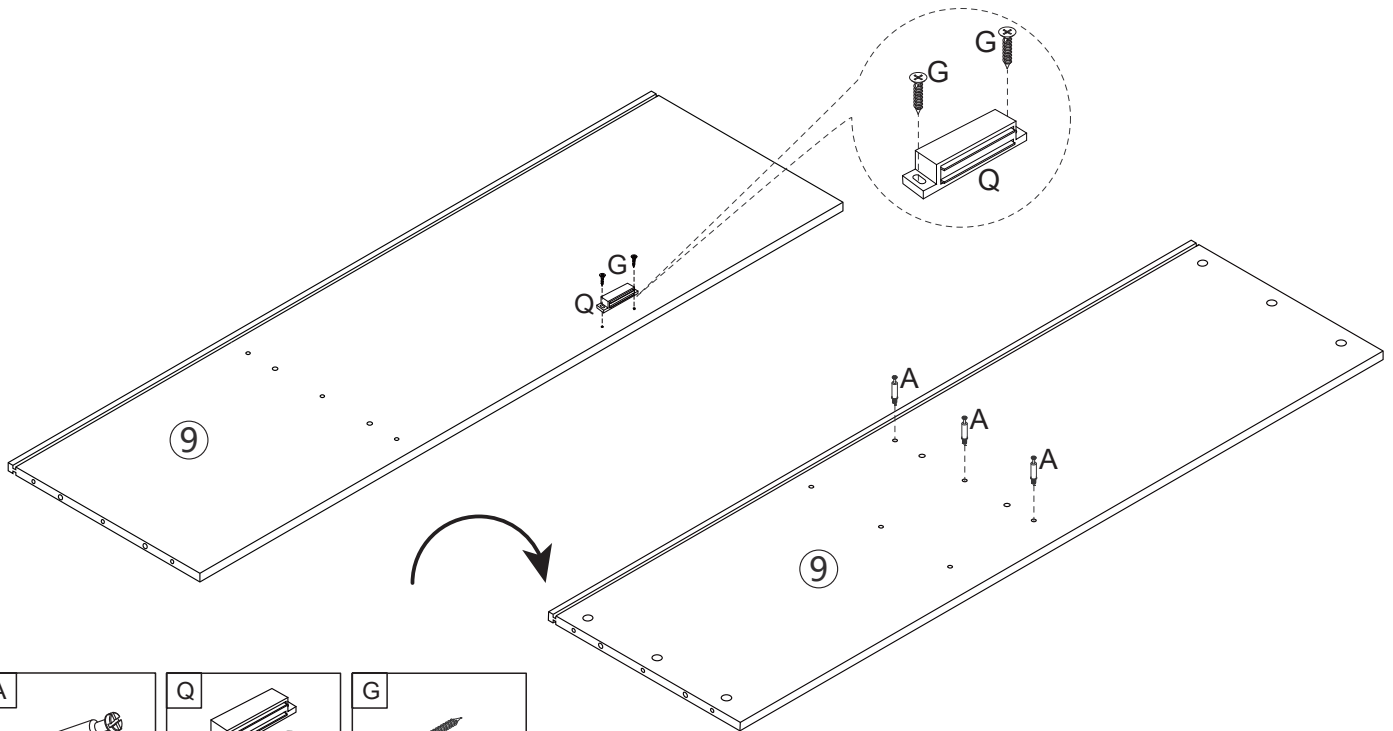


6. Assemble the panels of each part together according to the diagram.

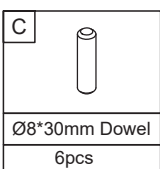
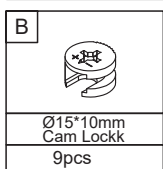
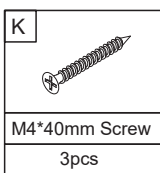
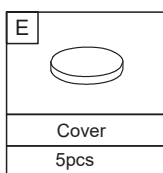
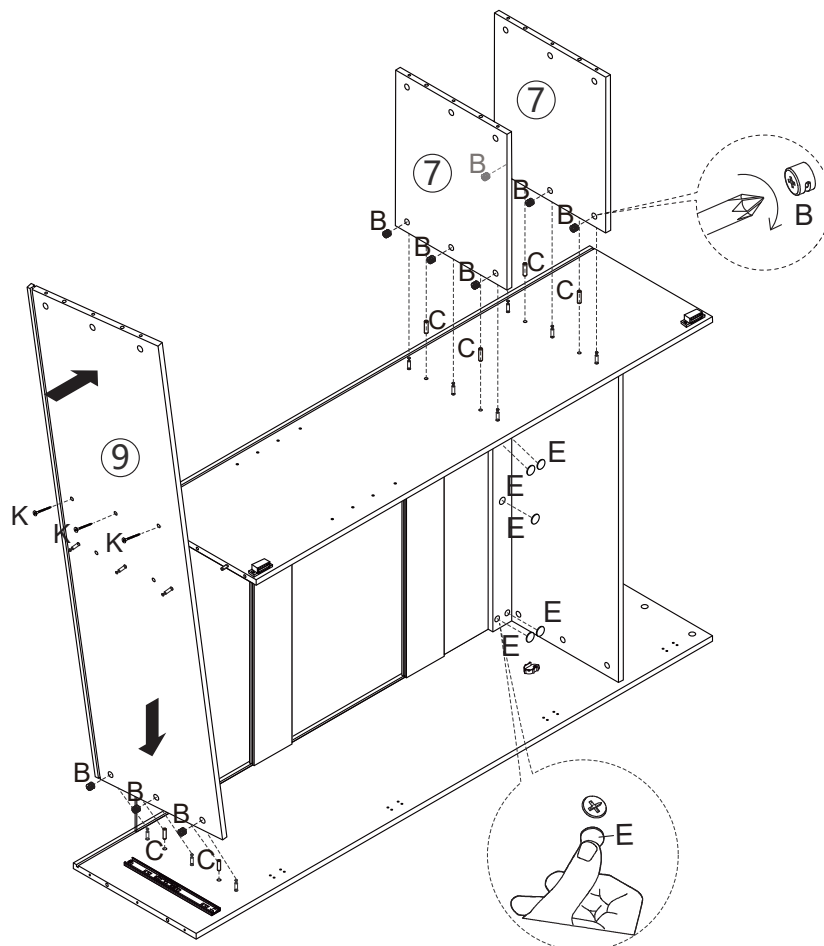


<p>B</p> 	<p>C</p> 
<p>Ø15*10mm Cam Lockk 11pcs</p>	<p>Ø8*30mm Dowel 4pcs</p>

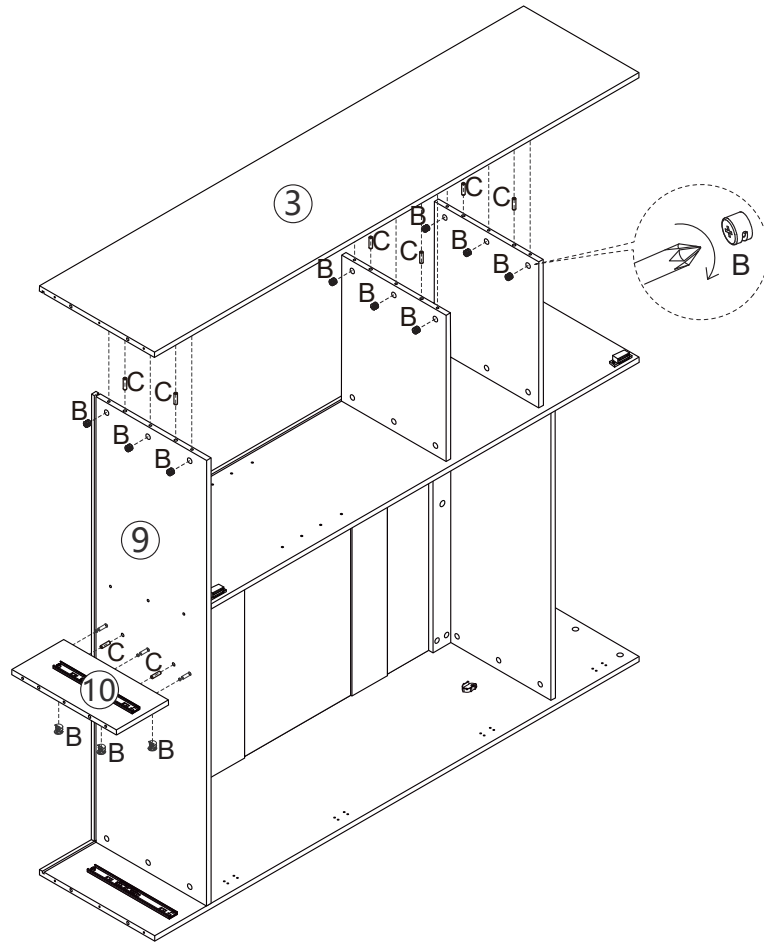
7. Attach parts to the panel.





8. Assemble the panels of each part together according to the diagram.

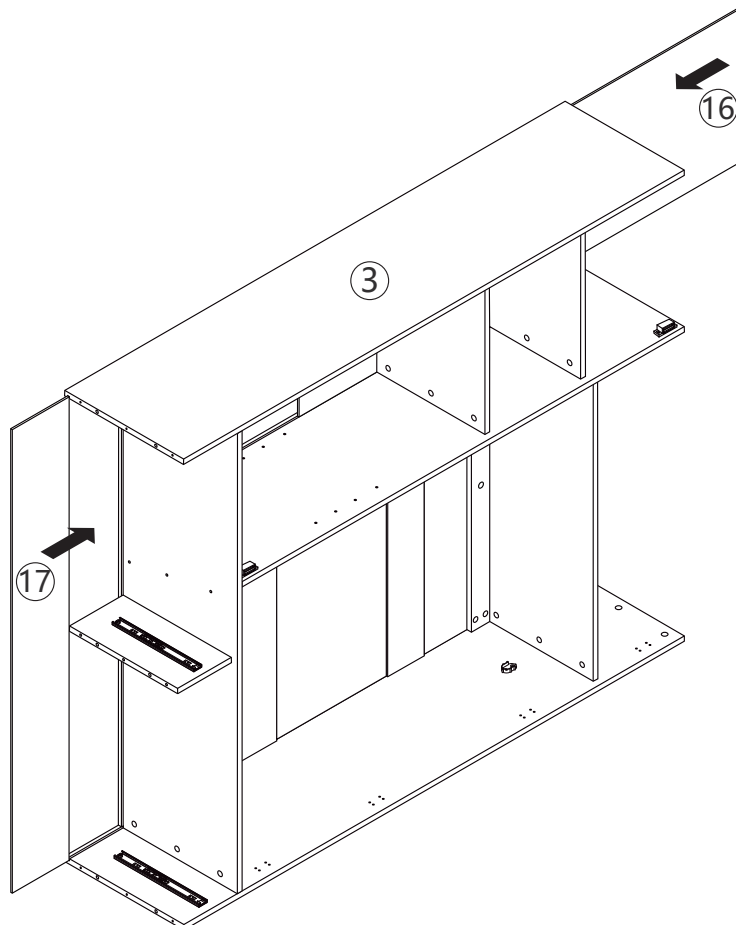


9. Assemble the panels of each part together according to the diagram.

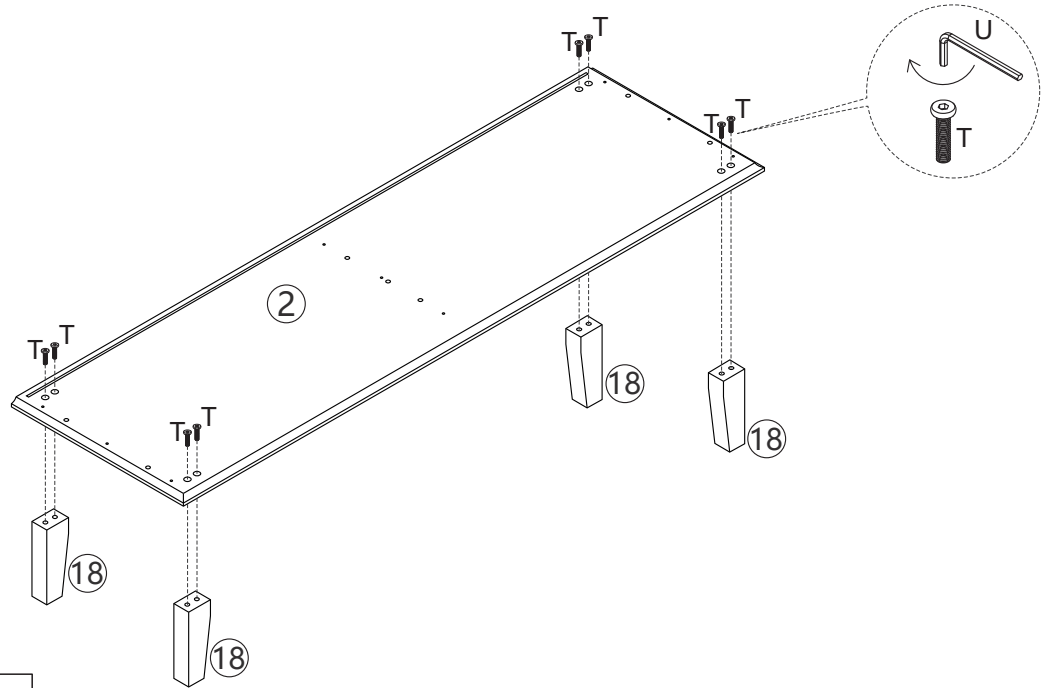




B		C	
Ø15*10mm Cam Lockk		Ø8*30mm Dowel	
12pcs		8pcs	

10. Assemble back panel.

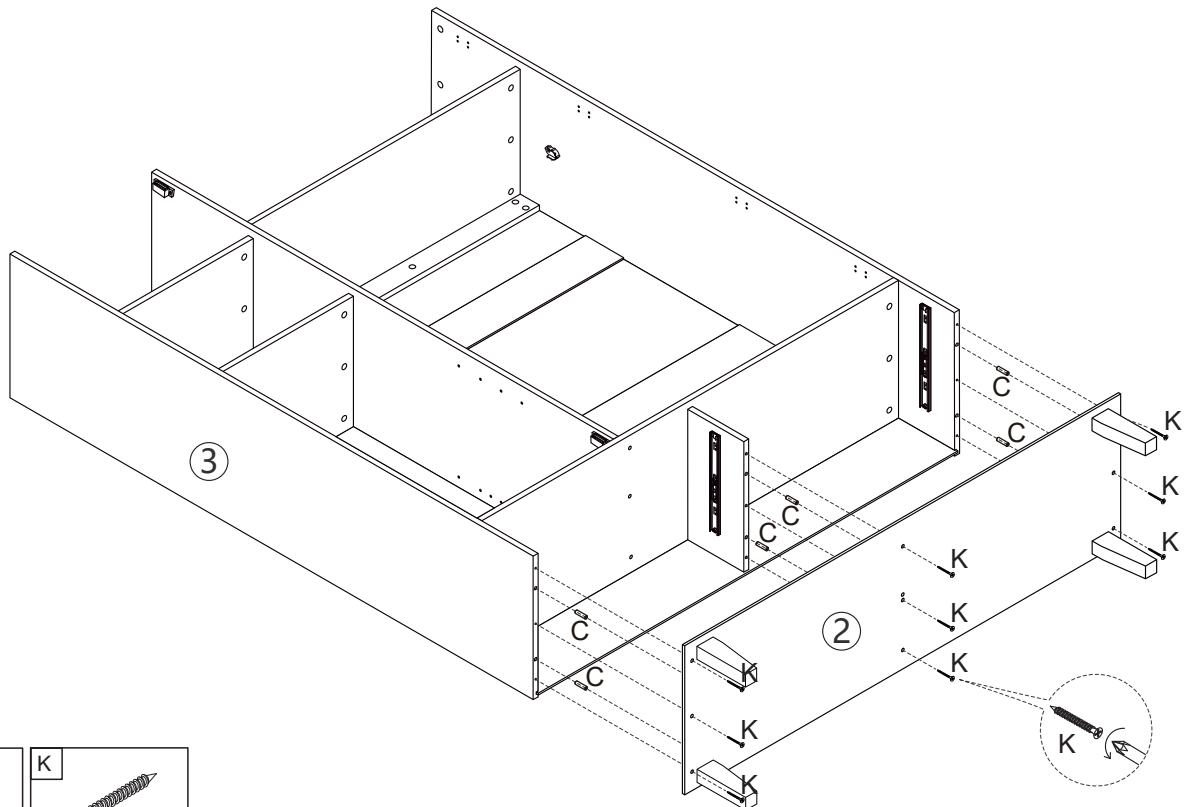




11. Attach Legs to the bottom.



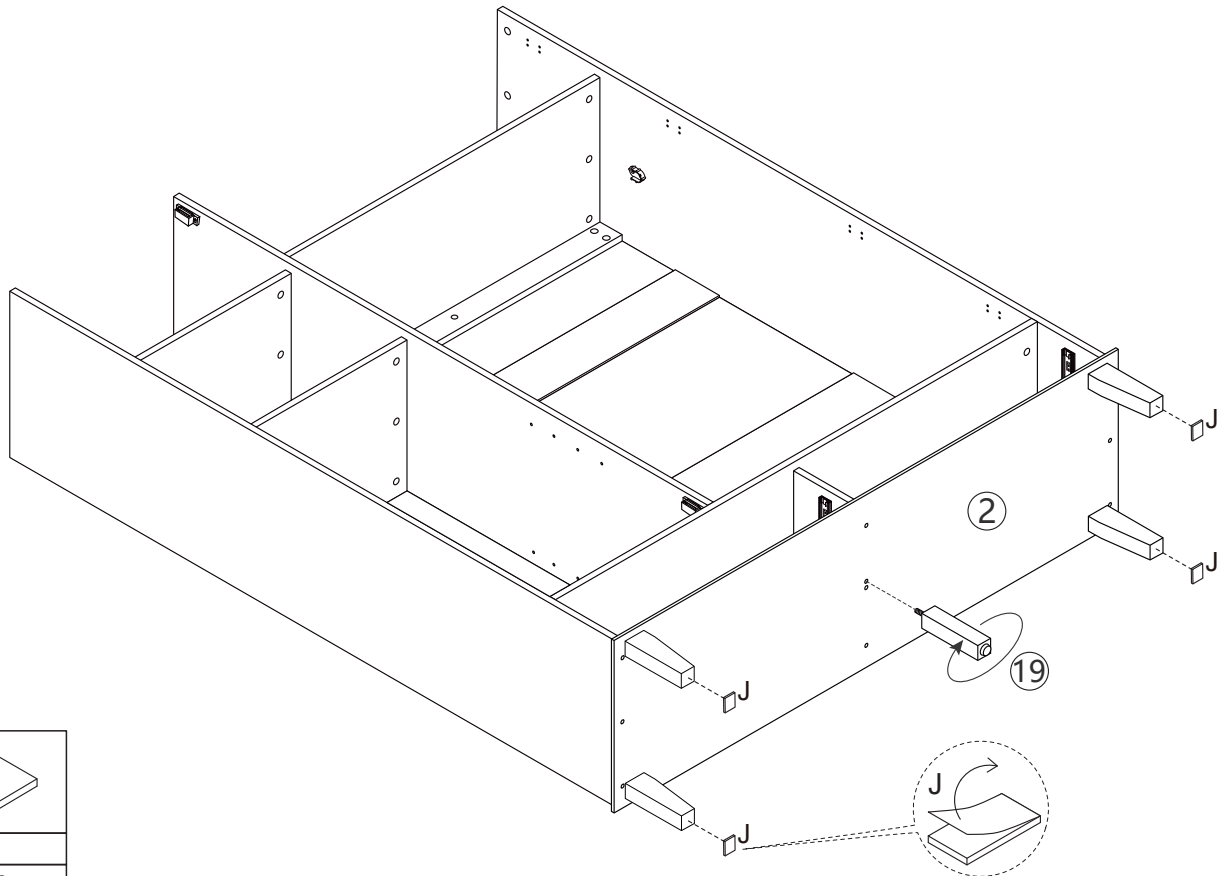
T		U	
	M8*35mm Hex Screw		Hex Key
	8pcs		1pc

12. Attach panels to the bottom.



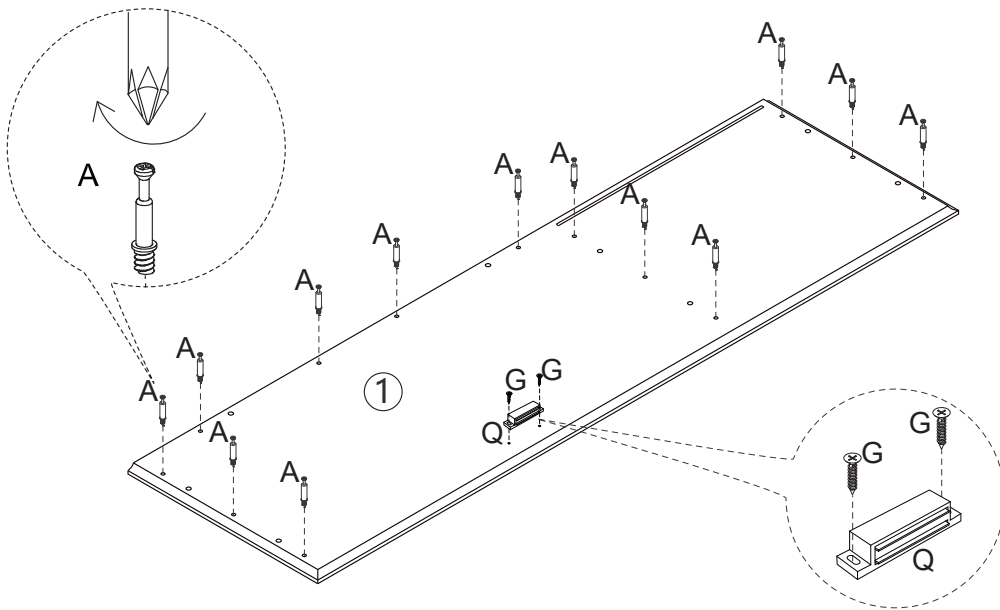
C		K	
	Ø8*30mm Dowel		M4*40mm Screw
	6pcs		9pcs

13. Attach Centre Leg to the bottom.



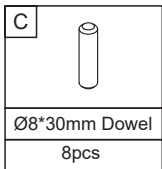
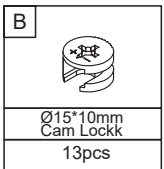
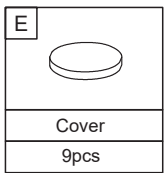
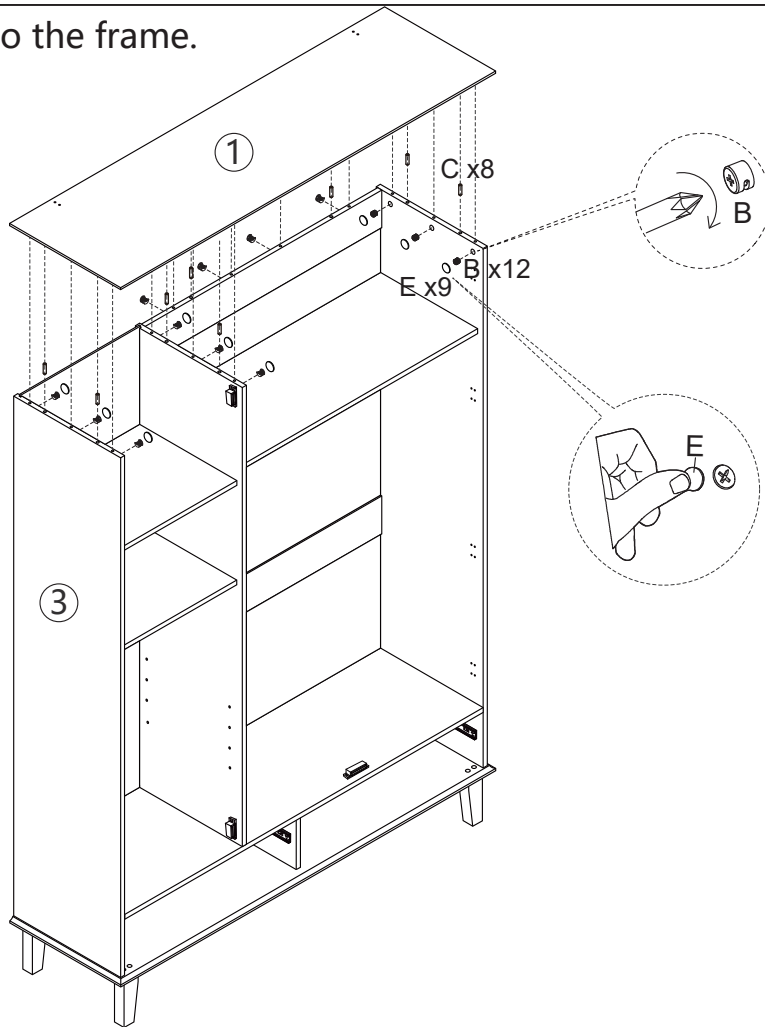
J	
	Mat
	4pcs

14. Attach parts to the top panel.

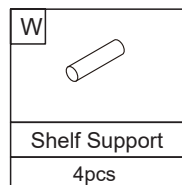
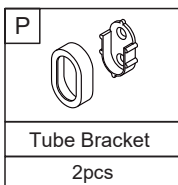
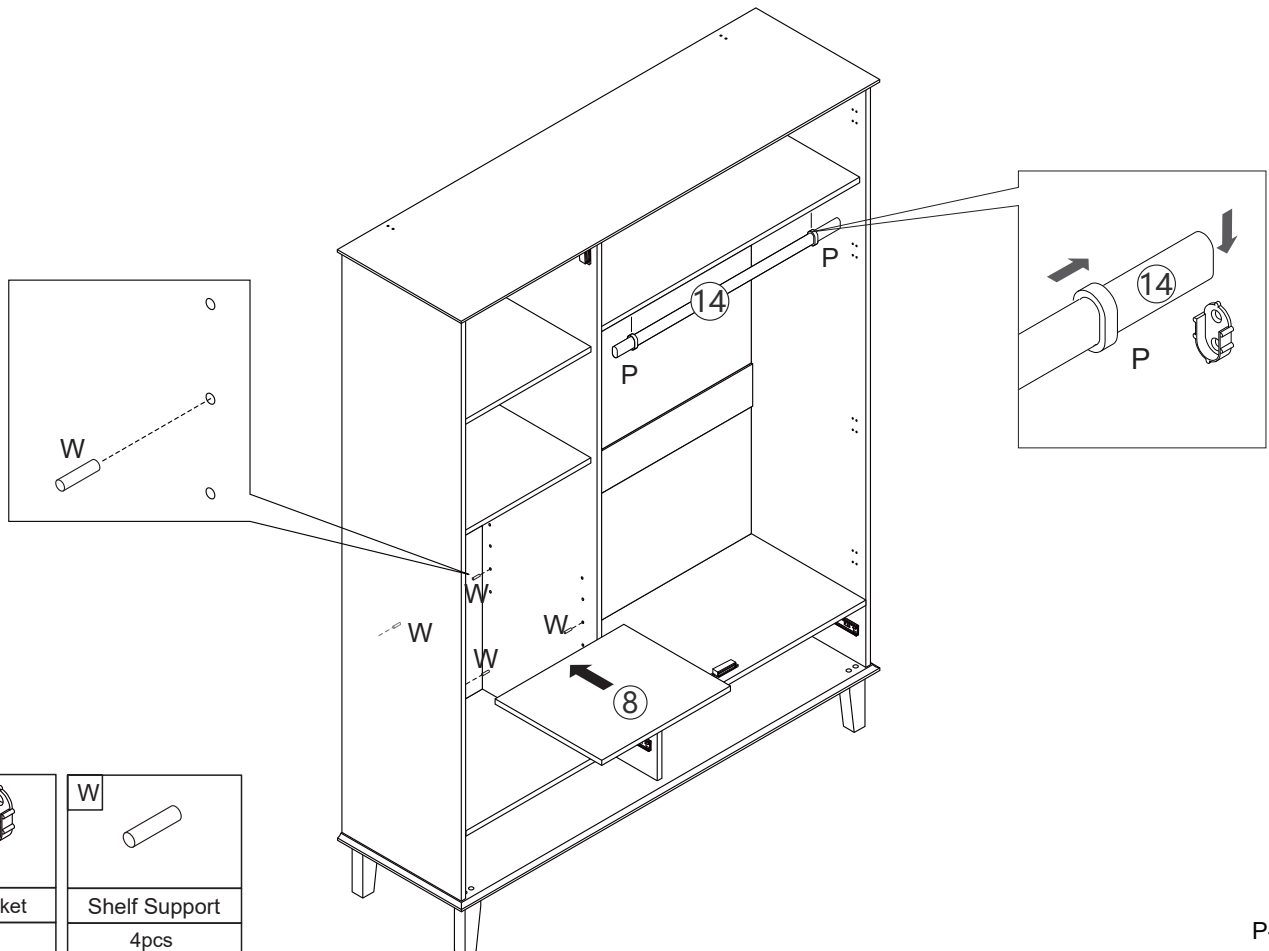


A		Q		G	
	M5*35mm Cam Lock Screw		Door Catch		M3*16mm Screw
	13pcs		1pc		2pcs

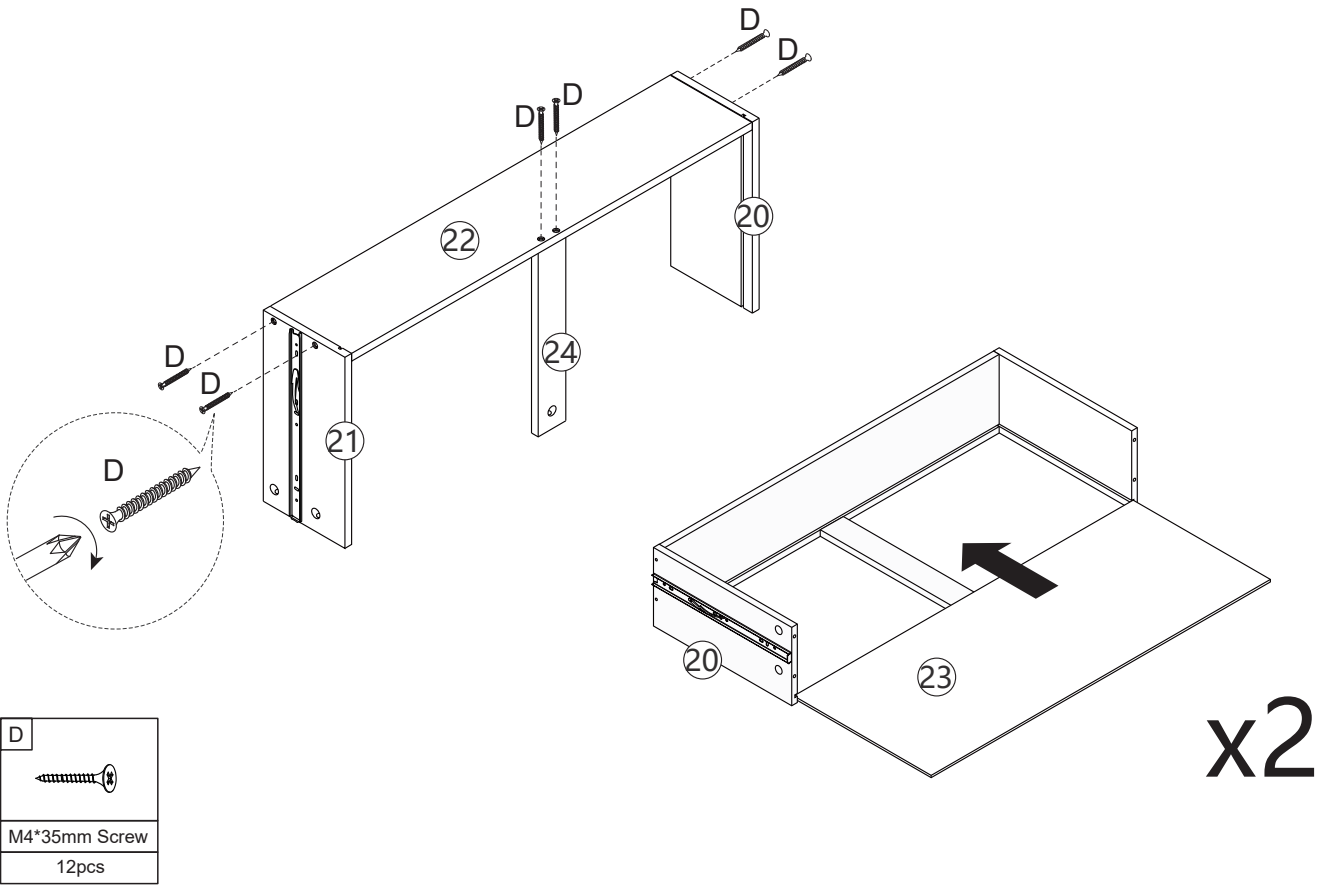
15. Attach the top panel to the frame.



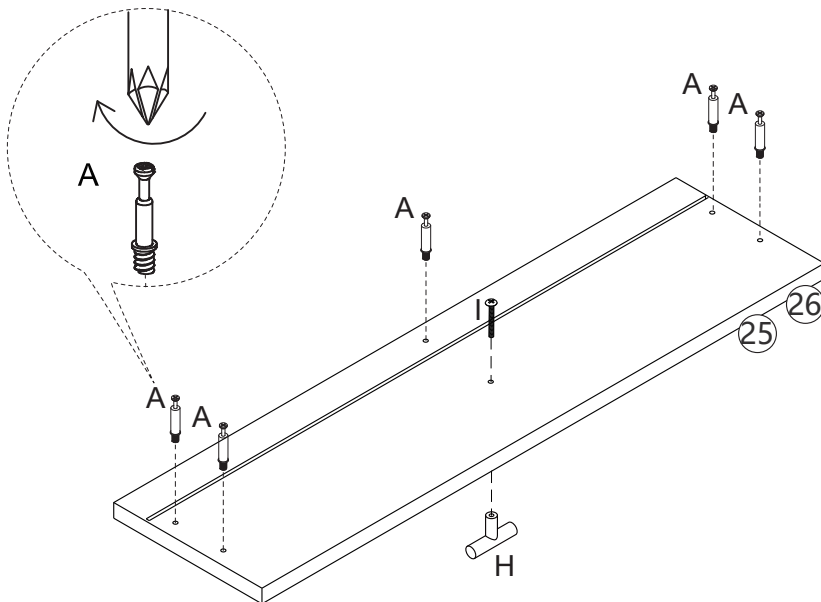
16. Attach hanging bar etc. to the panel.

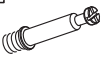
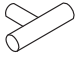



17. Assemble the drawer by following the steps shown in the illustration below.

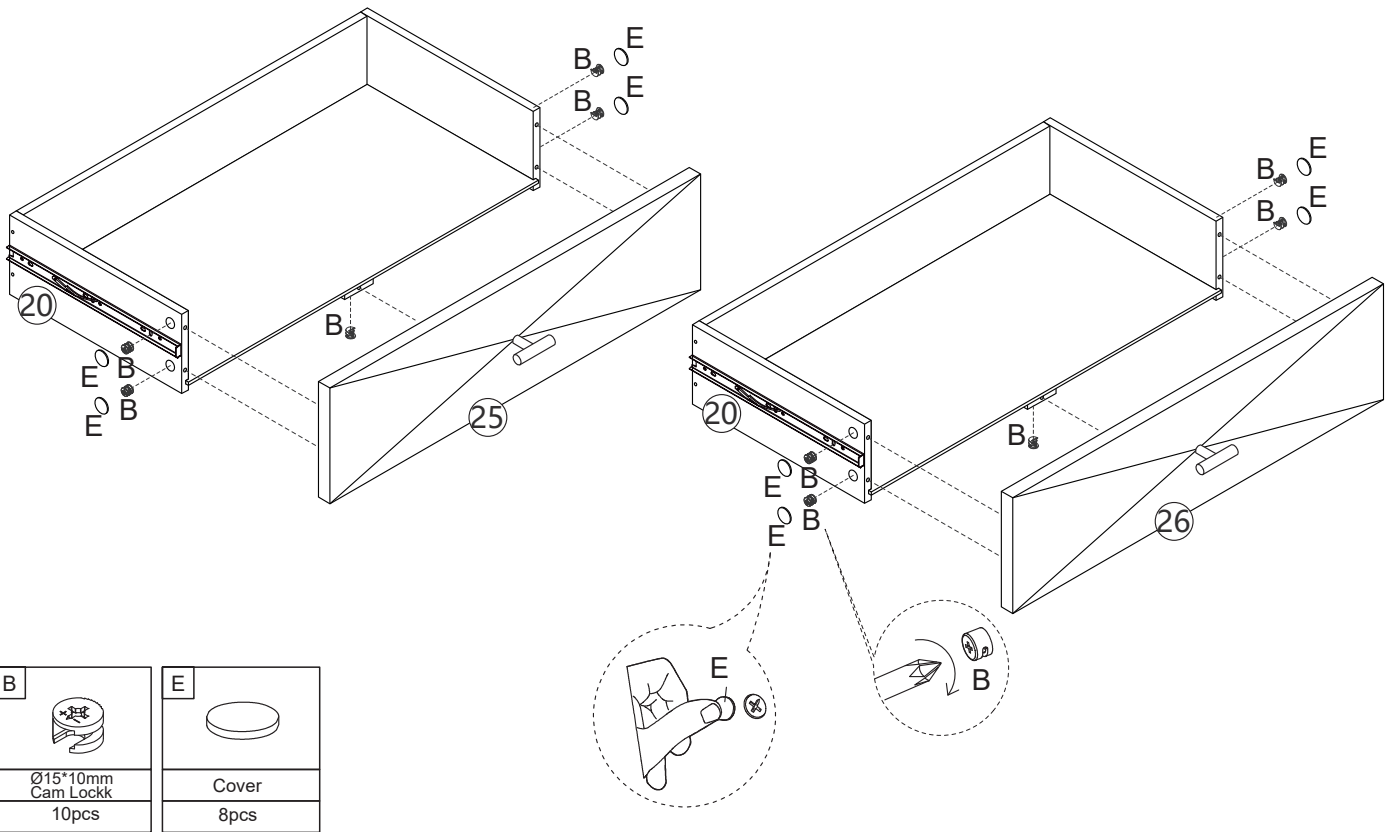


18. Attach parts to the drawer panel.

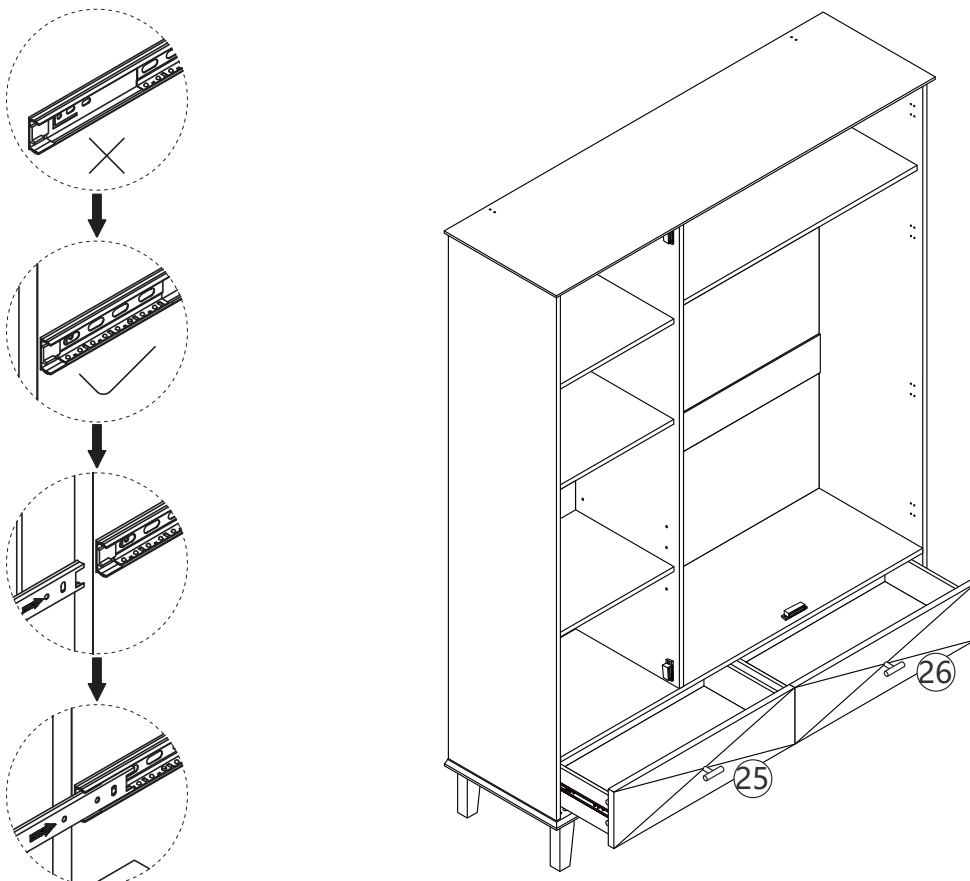


A	H	I
		
M5*35mm Cam Lock Screw	Handle	M4*12mm Bolt
10pcs	2pcs	2pcs

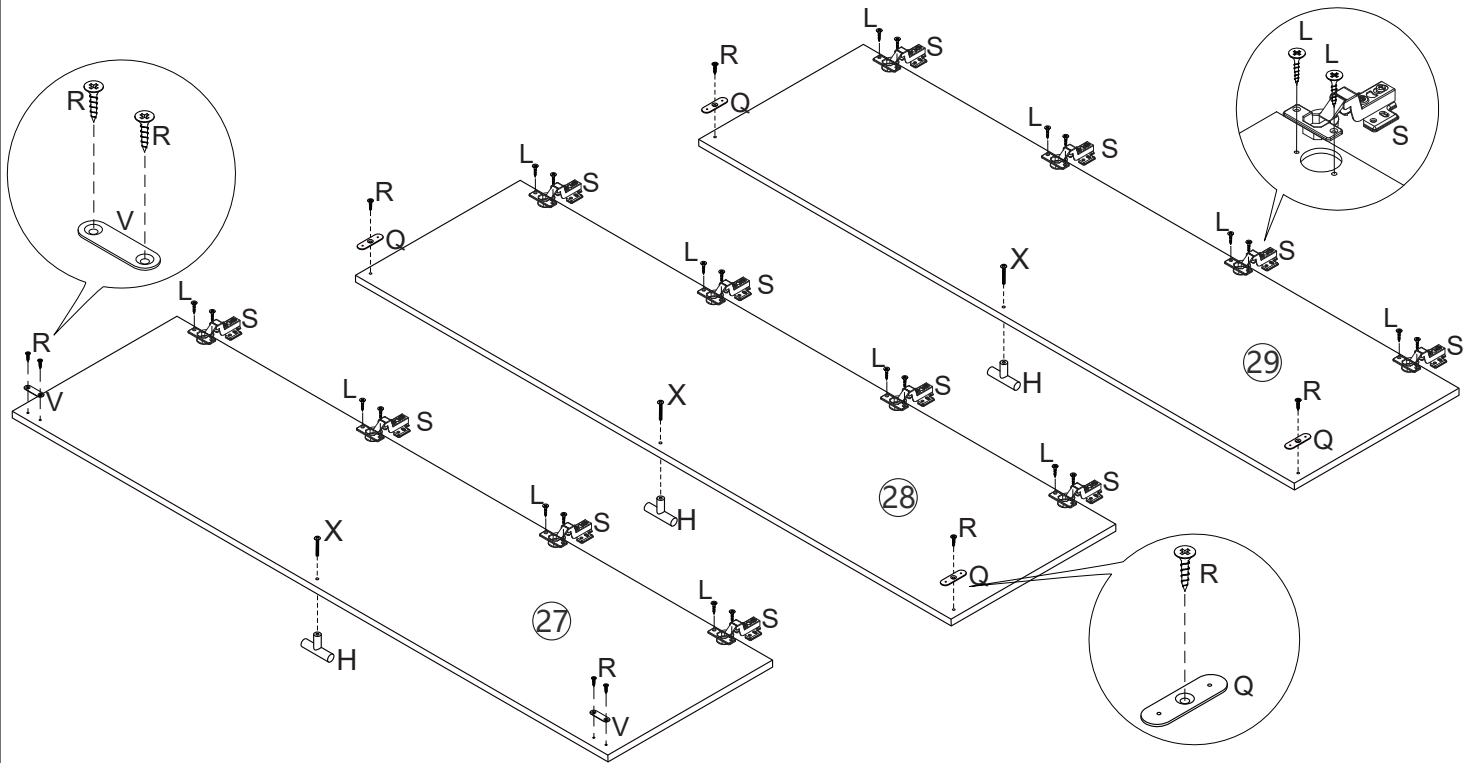
19. Assemble the drawer by following the steps shown in the illustration below.

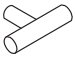

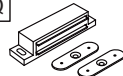

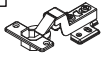

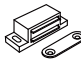


20. Assemble drawer in the cabinet.

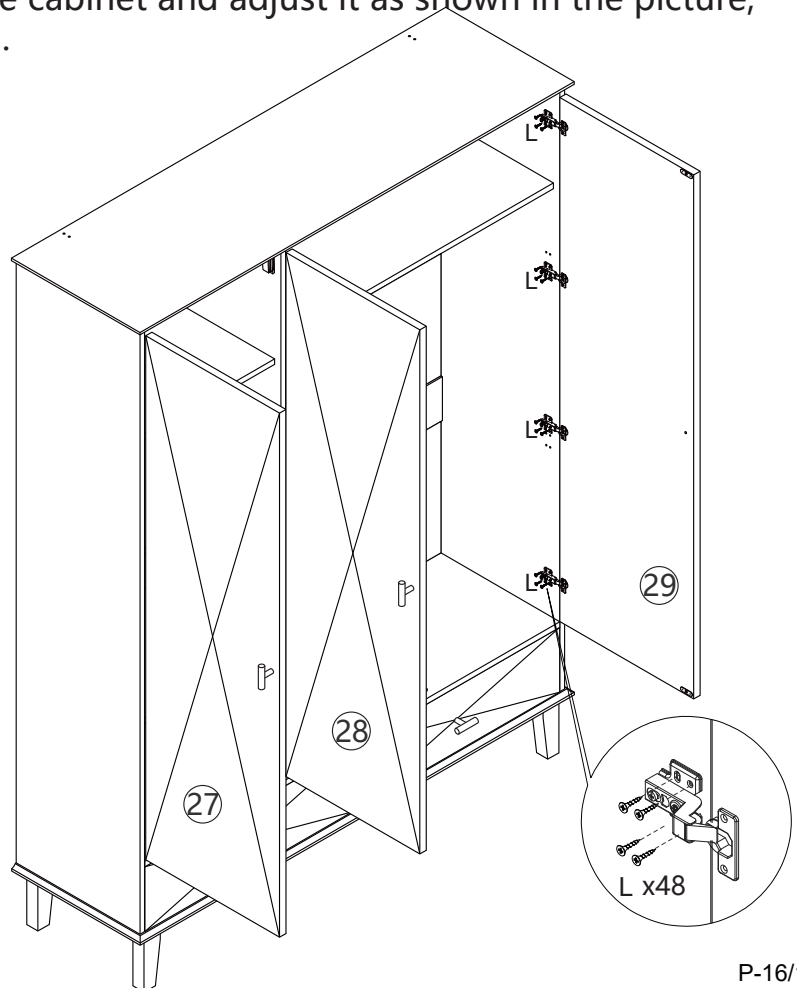
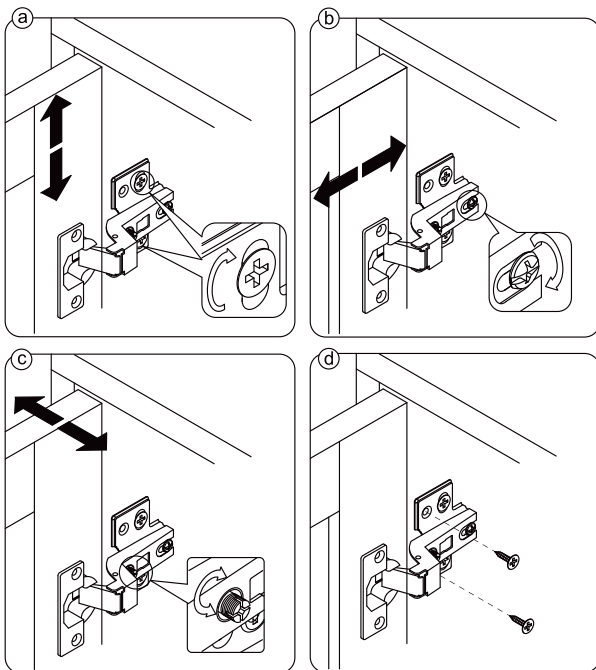


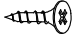
21. Attach parts to the door panel.



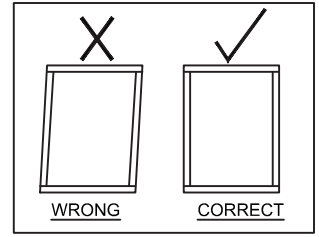
H	X	Q	R	S	L	V
						
Handle	M4*18mm Bolt	Door Catch	M3*12mm Screw	Hinge	M4*14mm Screw	Door Catch
3pcs	3pcs	2pcs	8pcs	12pcs	24pcs	2pcs

22. Assemble the door panel onto the cabinet and adjust it as shown in the picture, Make the door gap even and smooth.

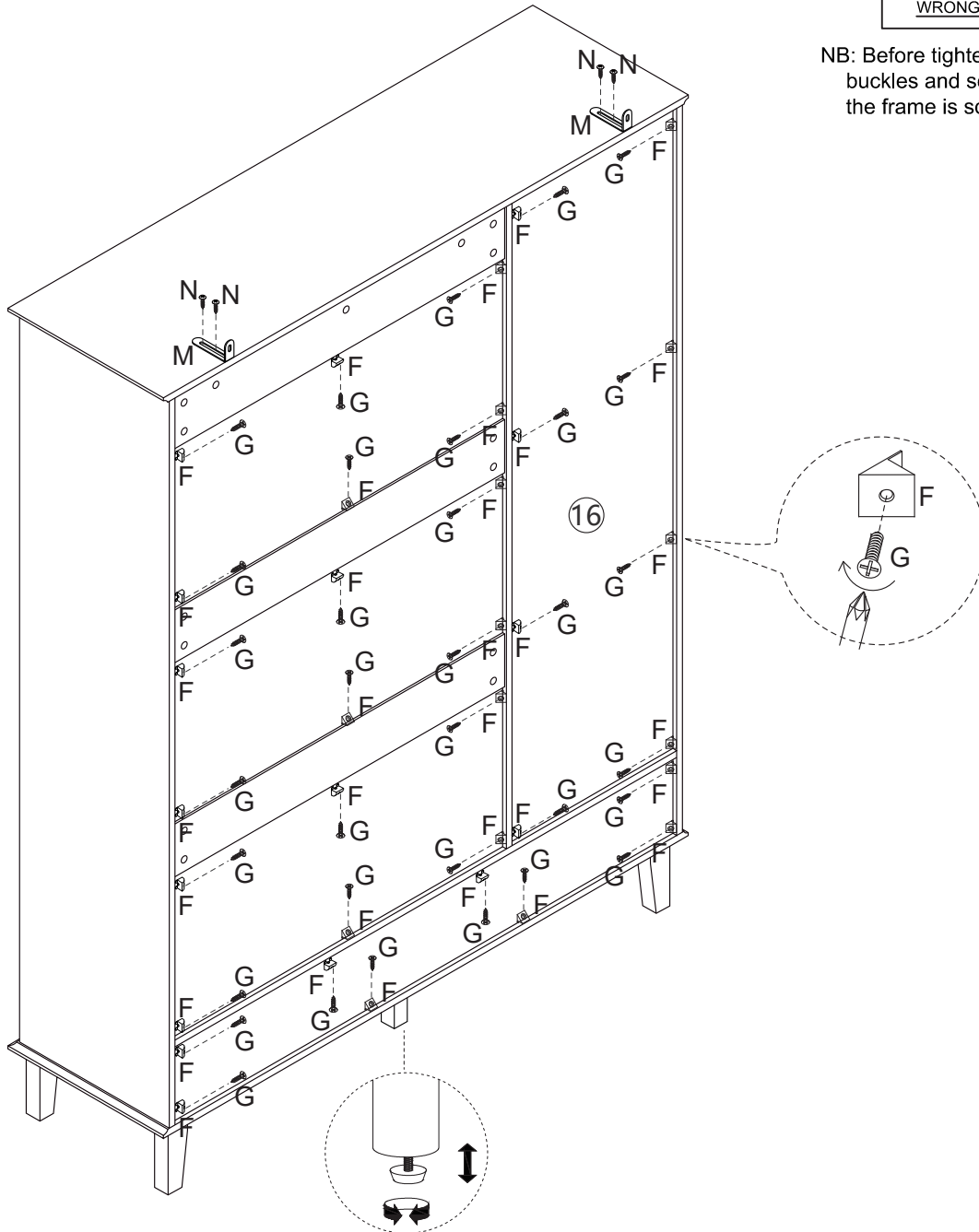






L

M4*14mm Screw
48pcs

23. Attach the plastic buckles and screws etc.

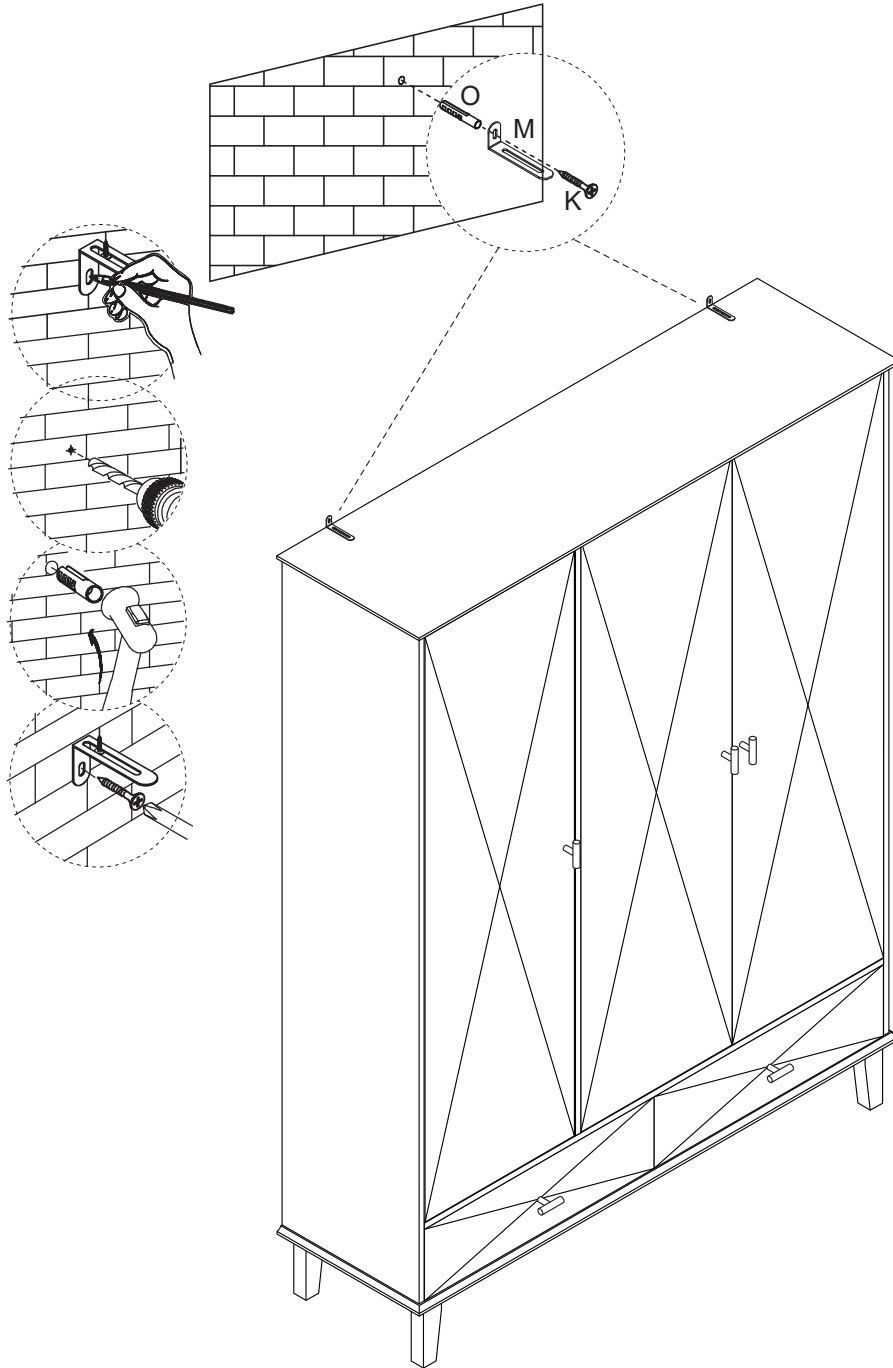


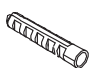

NB: Before tightening the plastic buckles and screws, please ensure the frame is square



<div style="border: 1px solid black; padding: 2px; display: inline-block;">F</div> 	<div style="border: 1px solid black; padding: 2px; display: inline-block;">G</div> 	<div style="border: 1px solid black; padding: 2px; display: inline-block;">M</div> 	<div style="border: 1px solid black; padding: 2px; display: inline-block;">N</div> 
Plastic Buckle 34pcs	M3*16mm Screw 34pcs	Wall Bracket 2pcs	M4*12mm Screw 4pcs

24. Assemble anti reverse tape, drill holes in the wall, insert expansion bolts, and then fix the furniture to the wall with screws.



O		K	
M8*40mm Wall Anchor		M4*40mm Screw	
2pcs		2pcs	