

DUSK.COM

LIVING | BEDROOM | DINING

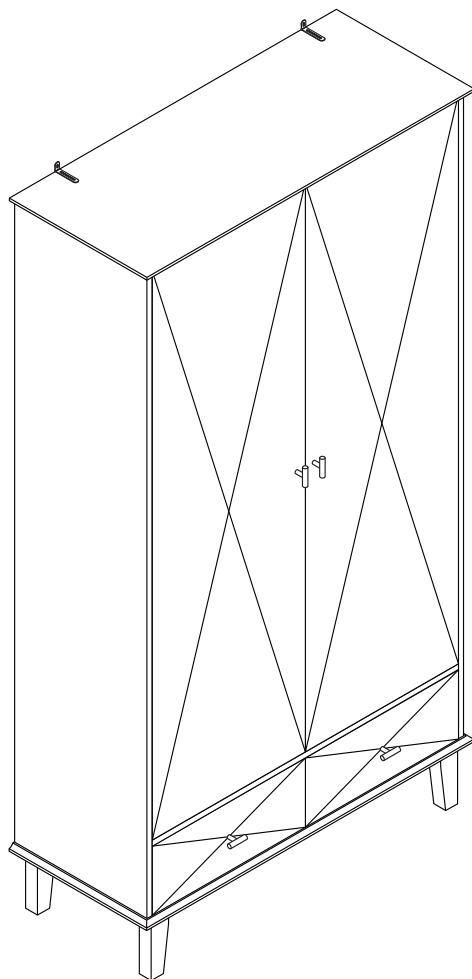
Range Name: Brianna

Box1 Dimensions: W176xD63xH14 (cm)

Box2 Dimensions: W111.5xD65xH21 (cm)

Product Dimensions: W95xD55xH180 (cm)

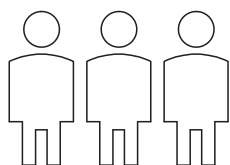
2 door wardrobe - light wood



THIS INSTRUCTION BOOKLET CONTAINS IMPORTANT SAFETY INFORMATION.
PLEASE READ AND KEEP FOR FUTURE REFERENCE.



Up to 120 minutes
assembly time



Three person
assembly



Electric screwdriver
prohibited

This product is intended for domestic use only, not for commercial purposes.

V-1.0
P-1/15

IMPORTANT

ASSEMBLY TIP

Before you begin, it's best to identify all of the parts and fittings to build your 2 door wardrobe frame. We advise laying these out on the floor to check you have everything, and to familiarise yourself with all of the parts and fittings before building.

TOP TIP

We recommend that you assemble the bedside in the room you'd like it to be located. This will help prevent any risk of damage to the frame whilst moving it.

SAFETY AND CARE

1. It's important to ensure children and animals are kept away from the assembly area, as there are small components used in this product which could present a choking hazard. All plastic and wrapping materials should also be kept away from children and animals to prevent any risk of suffocation.
2. Do not stand on your product.
3. Always use the item on firm level ground, ensuring all legs remain in contact with the ground.
4. Place heaviest items in the lowest drawers.
5. Do not set TV or other heavy objects on top of the product.
6. Children should always be under supervision whilst using this product. Never allow children to climb on the drawers.
7. Never keep more than one drawer open at the same time.
8. In order to prevent overturning, this product must be used with the wall attachment device provided.
9. Serious or fatal crushing injuries can occur from tipping furniture.

HELP AND SUPPORT

Please contact our customer service team on 0113 519 0311 if you have any questions or issues with your purchase.

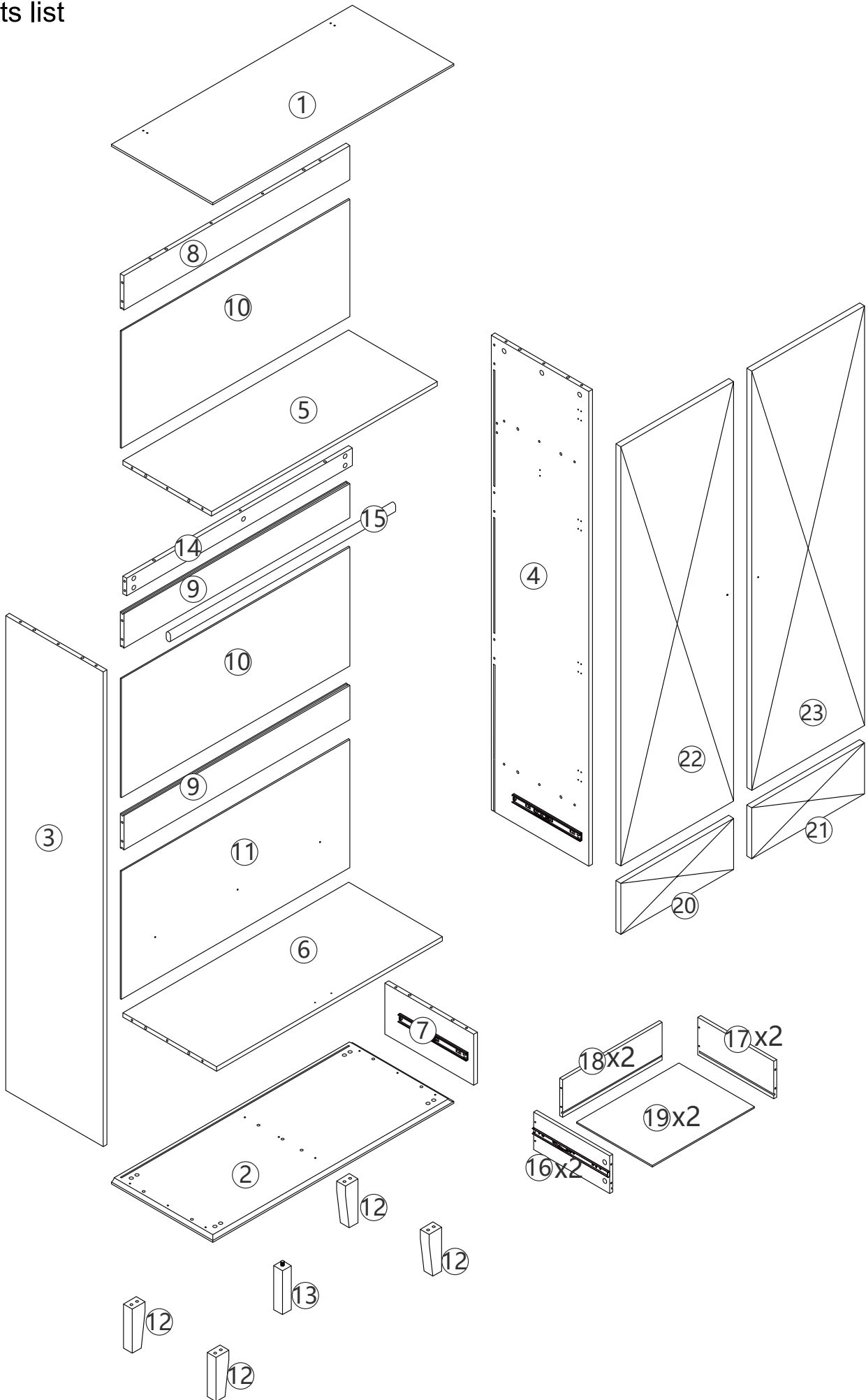
RECYCLING

Please ensure that packaging is disposed of in a safe and environmentally friendly way, and recycle where possible. Please keep your assembly instructions safe to refer back to in the future.

CARE AND MAINTENANCE

1. Only clean using a damp cloth, do not use bleach or abrasive cleaners as they may damage the finish over time.
2. Do not use a very wet cloth or allow any liquid to contact with the surface for a long period of time. Wipe any spillage immediately. Absorption can cause wood to warp or finishes to de-laminate.
3. Do not scrub or rub the surface when cleaning.
4. Do not drag the 2 door wardrobe when moving, lift it off the floor instead.
5. Use a placemat or a coaster when putting hot items (e.g. hot drinks and dishes) on the wood surface.
6. It is not recommended to place the item next to sources of heat such as radiators, fires or directly exposed to sunlight. This may cause the wood to crack, split or fade due to the heat and humidity.
7. Wood will mellow and change colour over time, we recommend that ornaments and items placed on the surface to be moved regularly to prevent uneven mellowing.
8. Regularly check all fixings to ensure none have come loose. Re-tighten if necessary.
9. Avoid sharp items such as a screwdriver or any pointy tools.

Parts list



Parts list

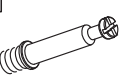


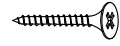



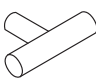

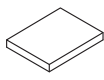
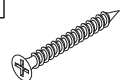



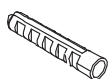
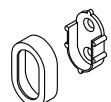
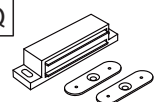
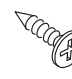
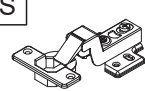

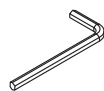




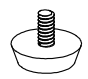
Before you begin building your 2 door wardrobe, please take a moment to read through the instructions and make sure that you have all the relevant parts listed on the parts check list.

Part Number	Part Description	Quantity	Box No
1	Top Panel	1 pc	Box2
2	Bottom Panel	1 pc	Box2
3	Left Side Panel With Slide Pre-assembled	1 pc	Box1
4	Right Side Panel With Slide Pre-assembled	1 pc	Box1
5	Shelf Centre Panel	1 pc	Box2
6	Shelf Centre Panel	1 pc	Box2
7	Middle Panel With Slide Pre-assembled	1 pc	Box2
8	Back Support Bar	1 pc	Box2
9	Back Support Bar	2 pcs	Box2
10	Back Panel	2 pcs	Box2
11	Back Panel	1 pc	Box2
12	Leg	4 pcs	Box2
13	Centre Leg	1 pc	Box2

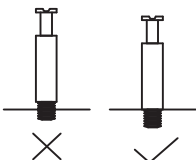
Part Number	Part Description	Quantity	Box No
14	Back Support Bar	1 pc	Box2
15	Hanging Bar	1 pc	Box2
16	Drawer Left Side With Slide Pre-assembled	2 pcs	Box2
17	Drawer Right Side With Slide Pre-assembled	2 pcs	Box2
18	Drawer Back Side	2 pcs	Box2
19	Drawer Bottom	2 pcs	Box2
20	Left Drawer Front	1 pc	Box2
21	Right Drawer Front	1 pc	Box2
22	Left Door Panel	1 pc	Box1
23	Right Door Panel	1 pc	Box1

Fittings

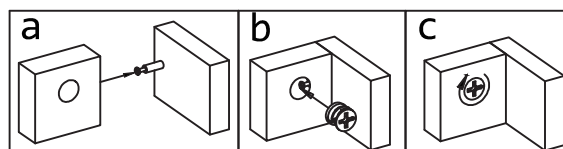
Please check you have all the fittings listed below with your product in Box2.

 A M5*35mm Cam Lock Screw 50pcs+4pcs extra	 B Ø15*10mm Cam Lock 50pcs+4pcs extra	 C Ø8*30mm Dowel 24pcs+3pcs extra	 D M4*35mm Screw 8pcs+1pc extra	 E Cover 19pcs+2pcs extra	 F Plastic Buckle 24pcs+3 pcs extra	 G M3*16mm Screw 28pcs+3pcs extra
 H Handle 4pcs	 I M4*12mm Bolt 2pcs	 J Mat 4pcs	 K M4*40mm Screw 11pcs+1pc extra	 L M4*14mm Screw 52pcs+4pcs extra	 M Wall Bracket 2pcs	 N M4*12mm Screw 7pcs
 O M8*40mm Wall Anchor 2pcs	 P Tube Bracket 2pcs	 Q Door Catch 2pcs	 R M3*12mm Screw 4pcs	 S Hinge 8pcs	 T M8*35mm Hex Screw 8pcs+1pc extra	 U Hex Key 1pc
 V M4*18mm Bolt 2pcs	Pre- assembled Fitting					
	 X1 Slide 4pcs	 X2 Slide 4pcs	 Y M3.5*12mm Screw 24pcs	 Z Adjustable Foot 1pc		

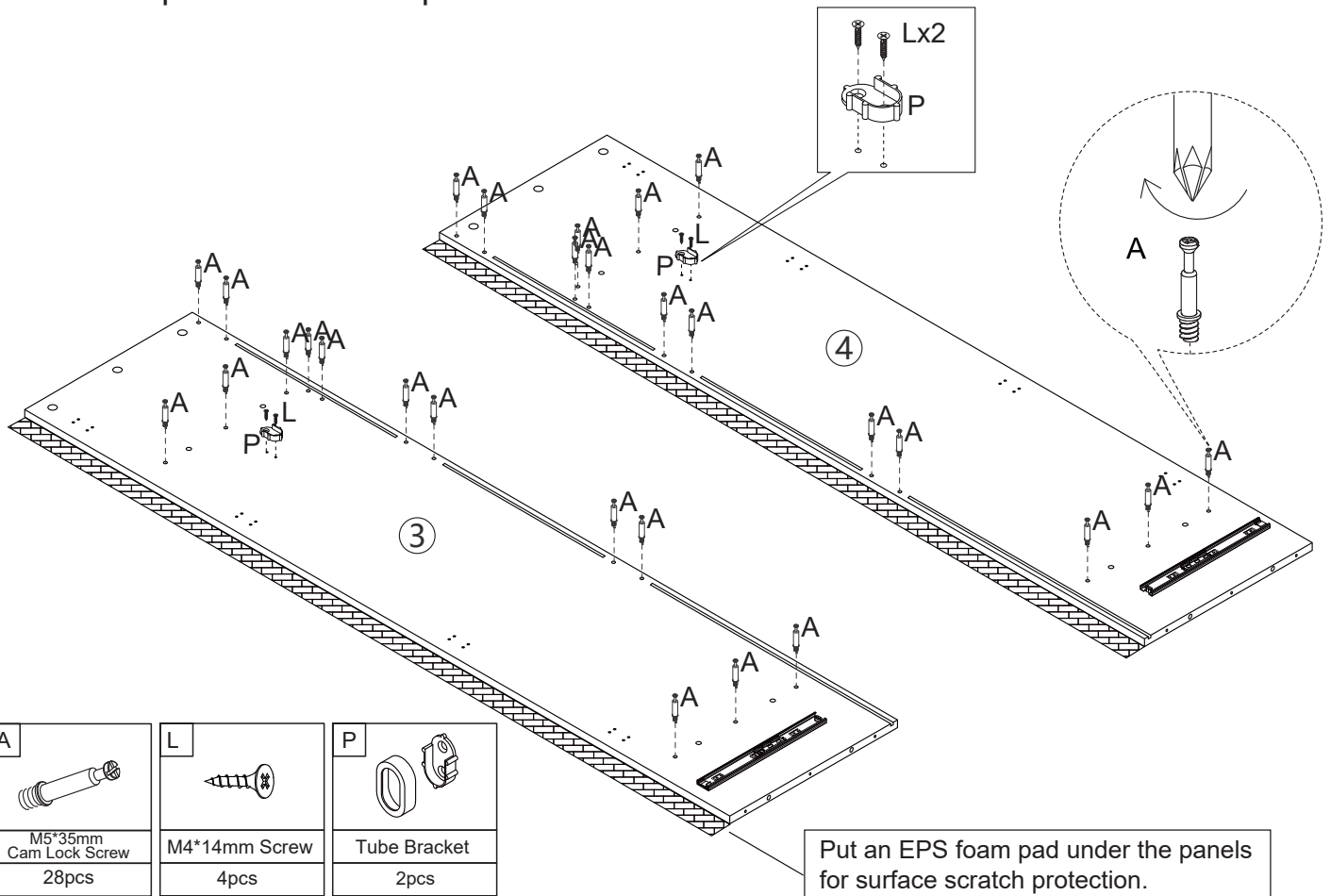
Ensure the cam lock screws are installed correctly, as indicated by the "check mark" below.



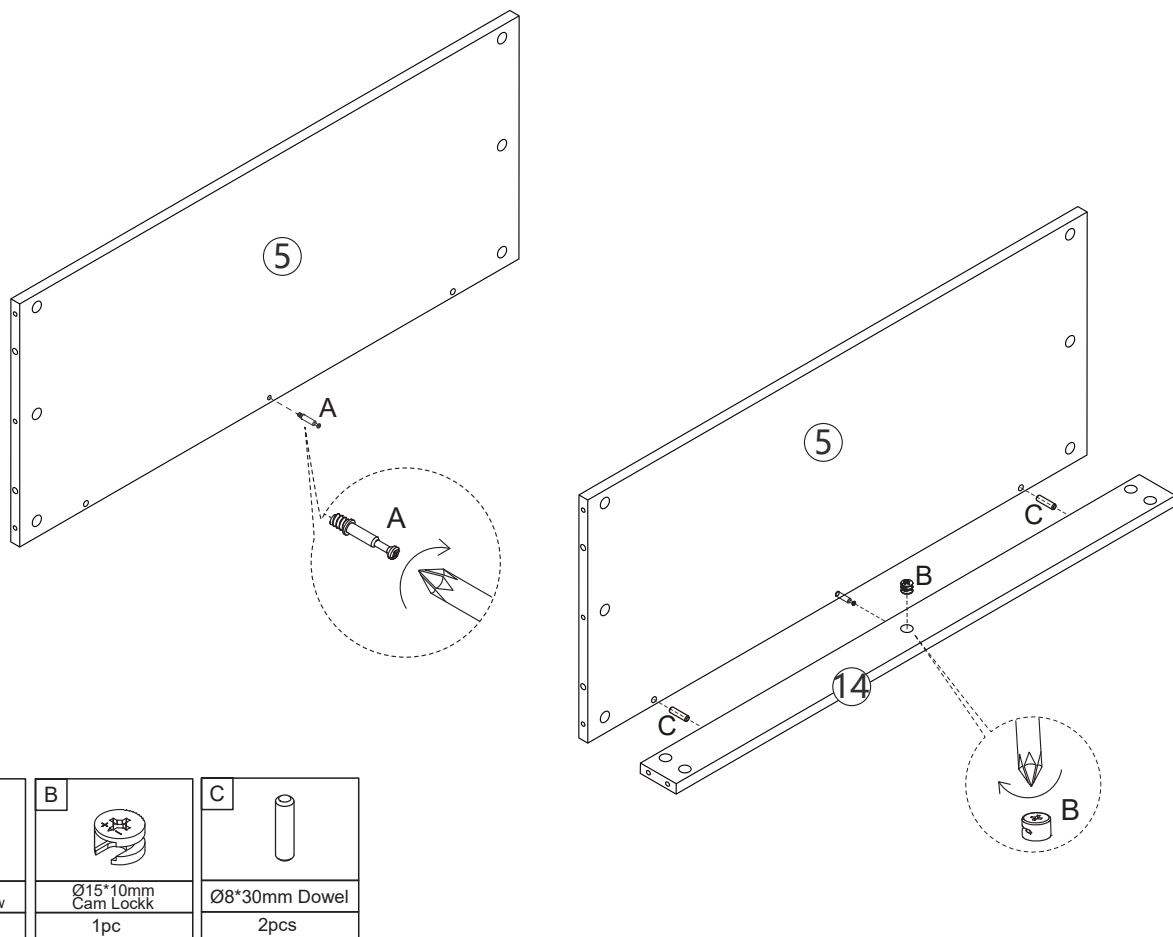
Refer to the illustration below to correctly use the cam lock screws for assembling the panels.



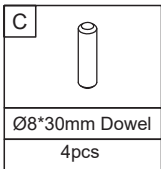
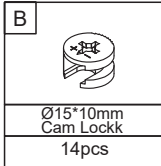
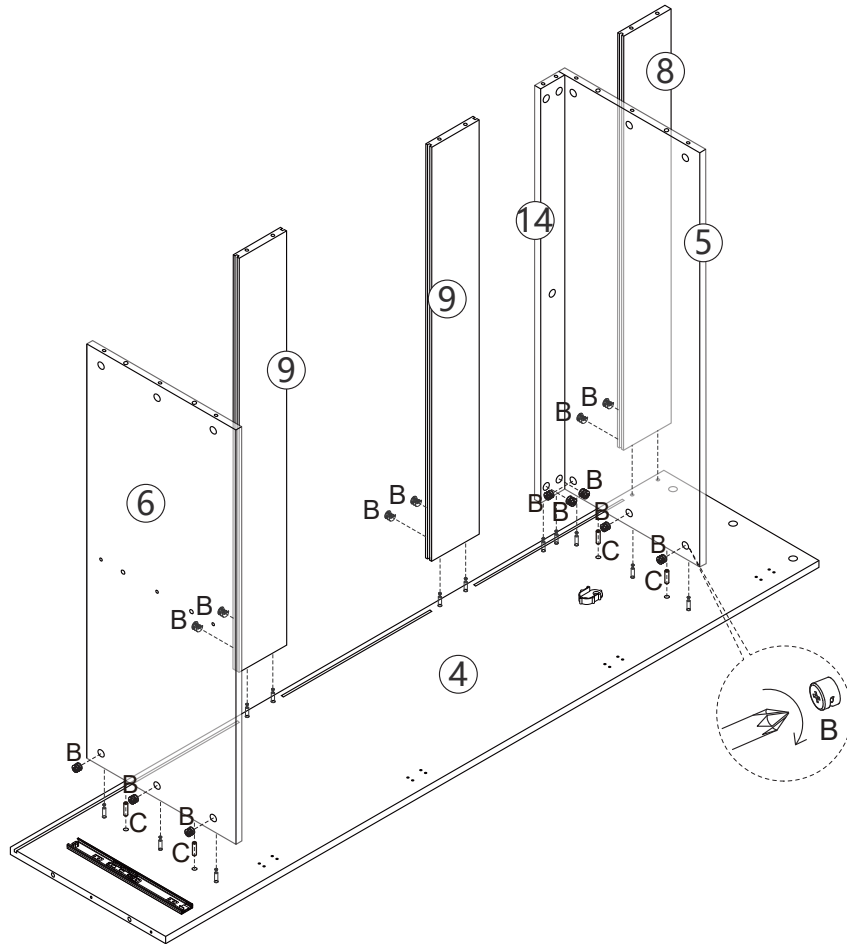
1. Attach parts to the side panel.



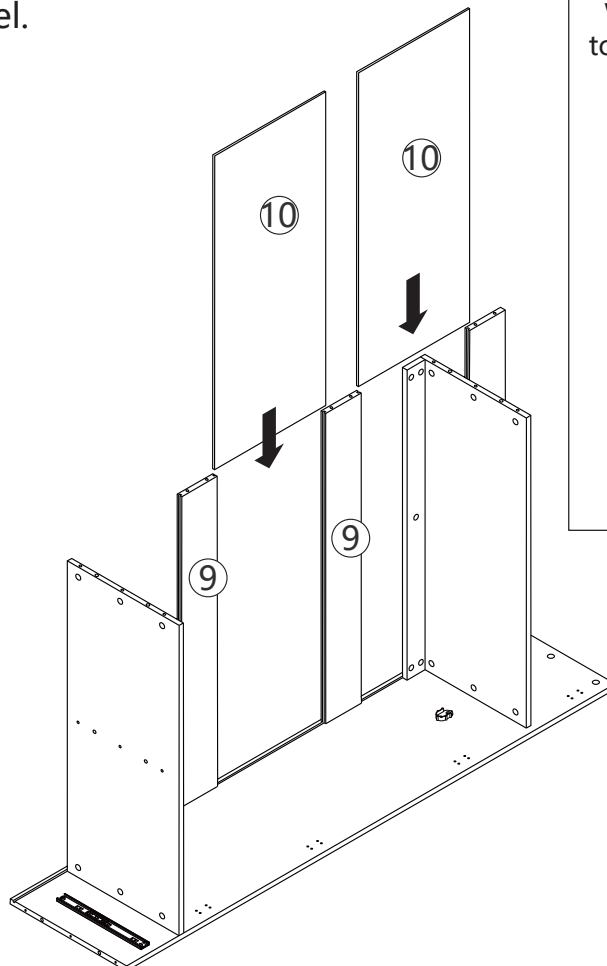
2. Assemble the panels of each part together according to the diagram.



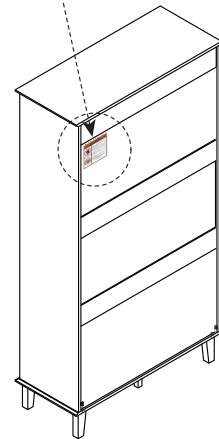
3. Assemble the panels of each part together according to the diagram.



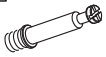


4. Assemble back panel.

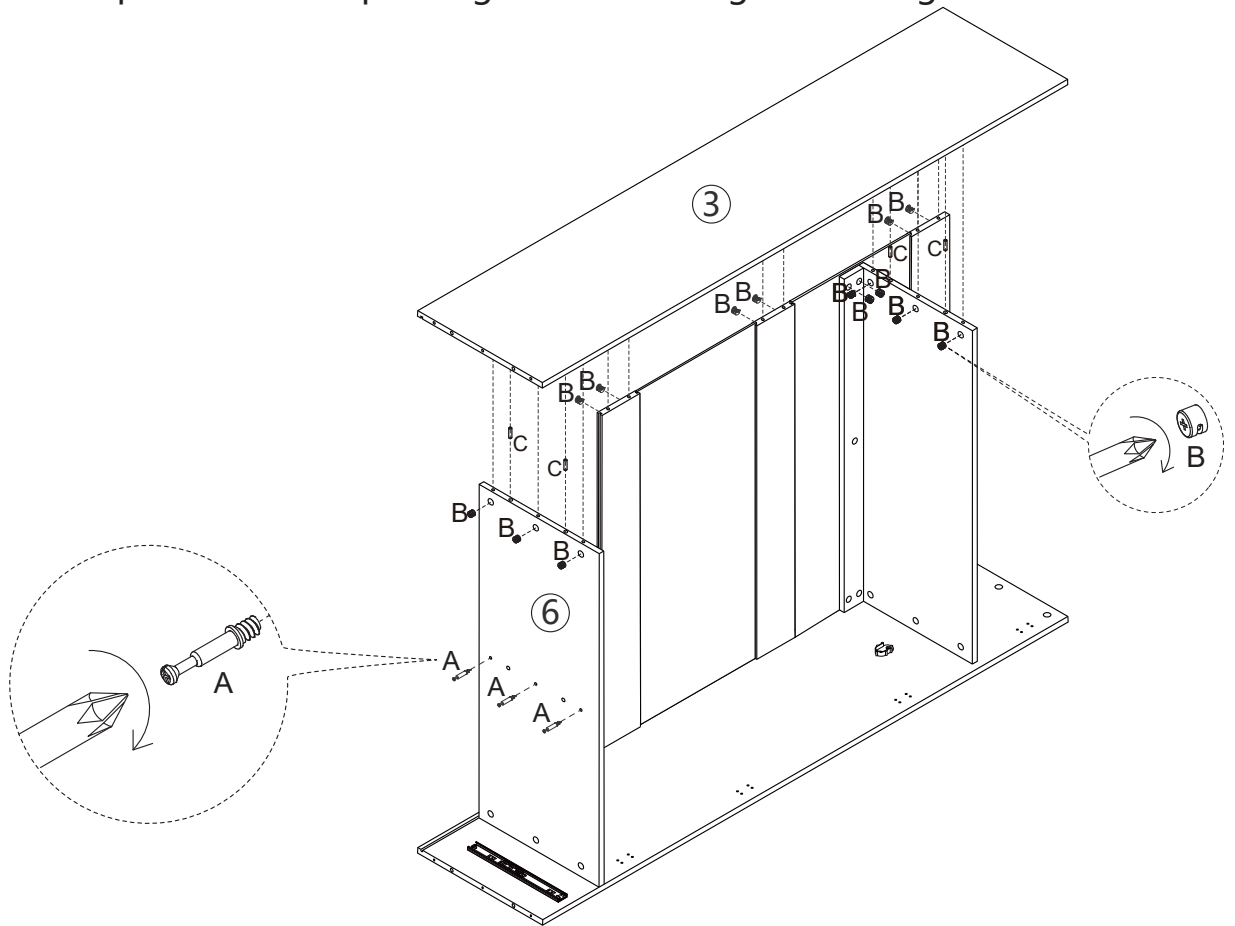


Warning label is placed on the left top corner.





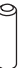
5. Assemble the panels of each part together according to the diagram.

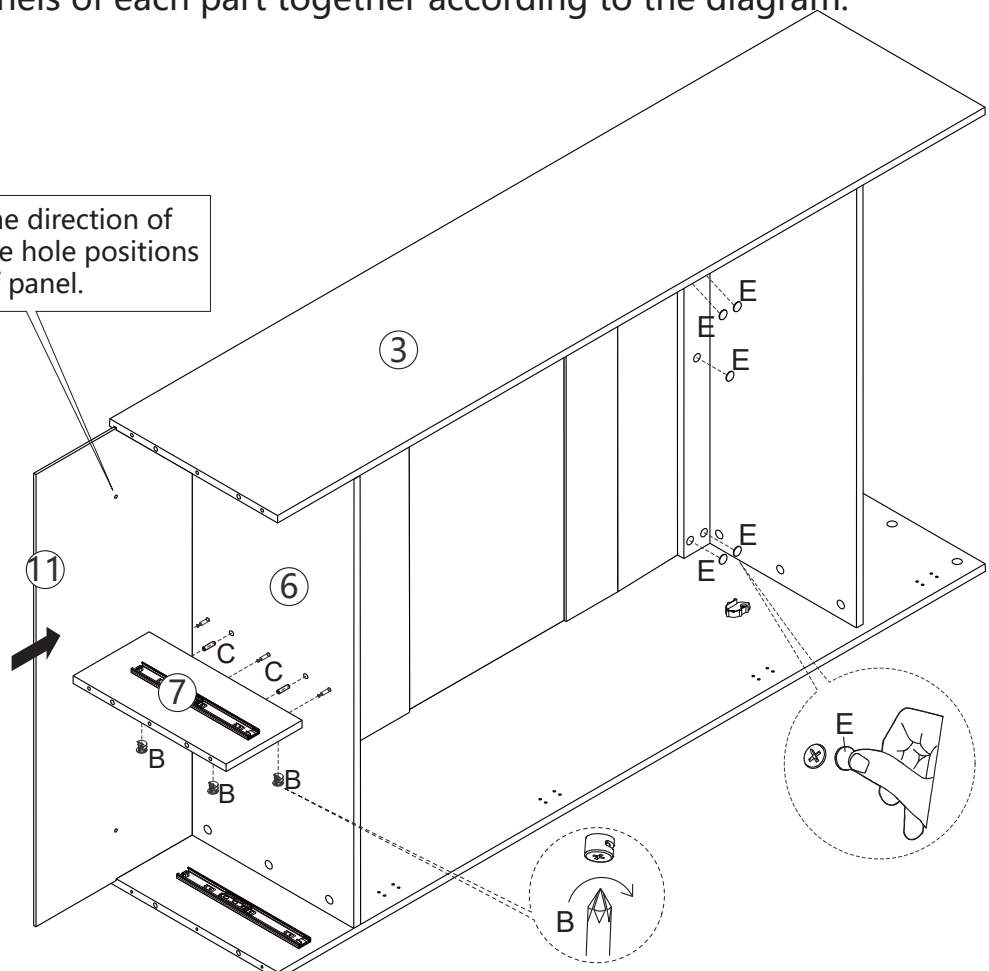
A	
M5*35mm Cam Lock Screw 3pcs	
B	
Ø15*10mm Cam Lock 14pcs	
C	
Ø8*30mm Dowel 4pcs	



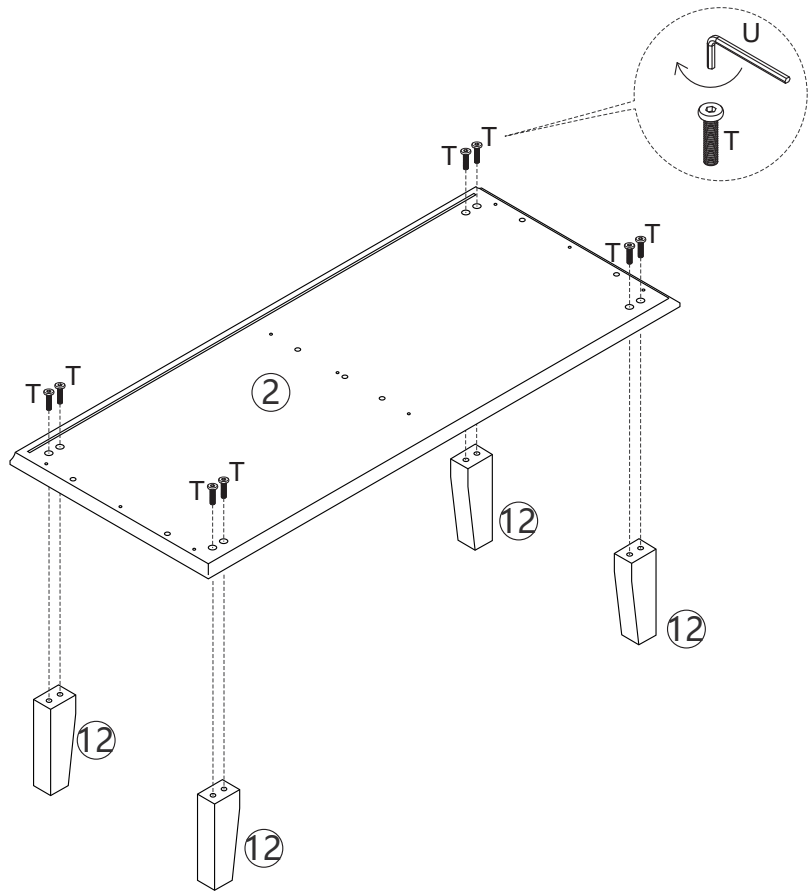
6. Assemble the panels of each part together according to the diagram.


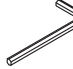
Pay attention to adjust the direction of the back panel so that the hole positions align with the No. 6 shelf panel.

E	
Cover 5pcs	
B	
Ø15*10mm Cam Lock 3pcs	
C	
Ø8*30mm Dowel 2pcs	

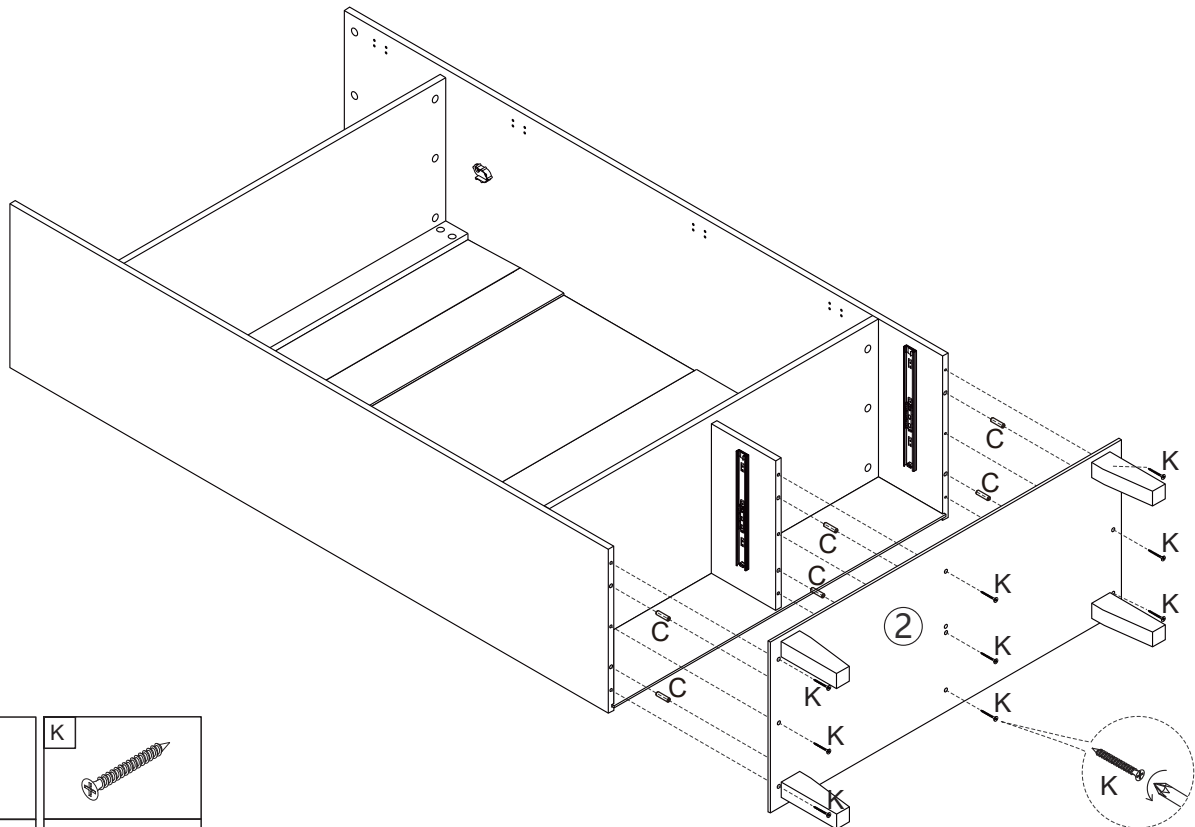




7. Attach Legs to the bottom.



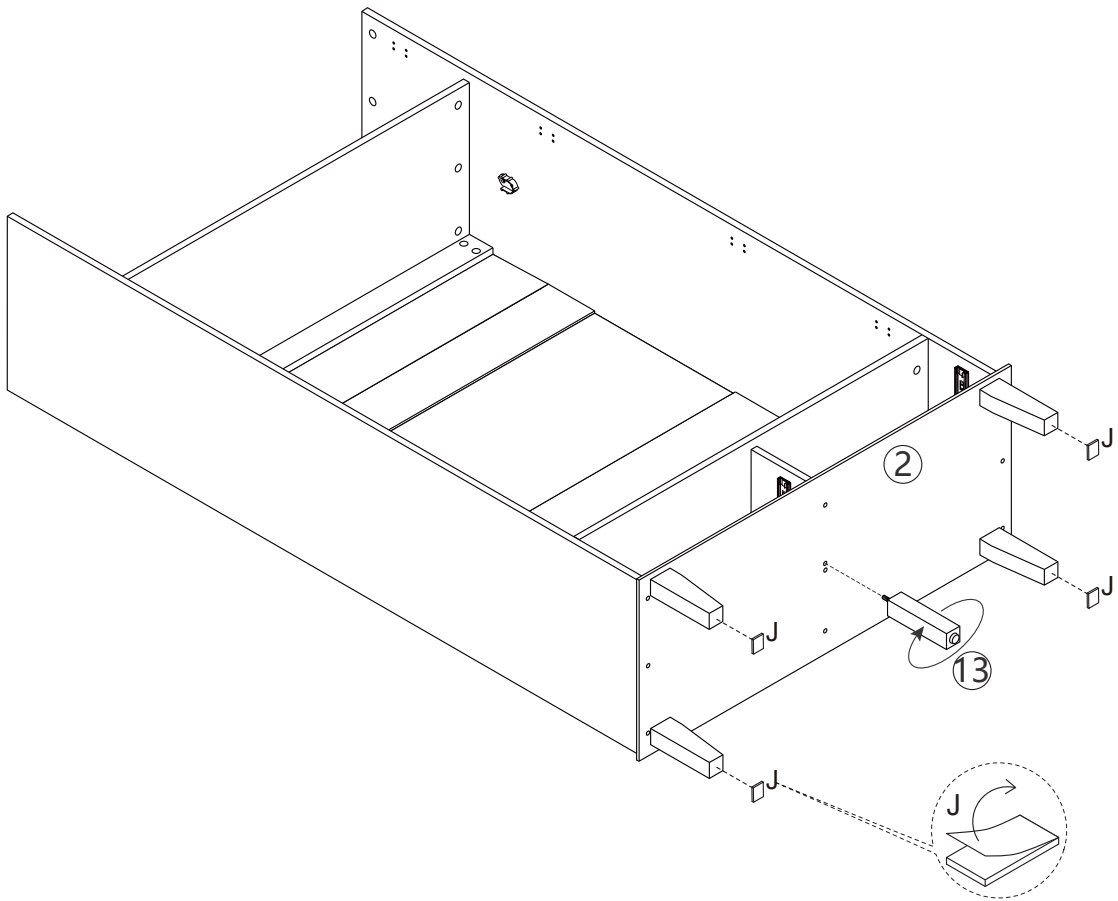
T		U	
	M8*35mm Hex Screw		Hex Key
	8pcs		1pc

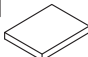
8. Attach panels to the bottom.



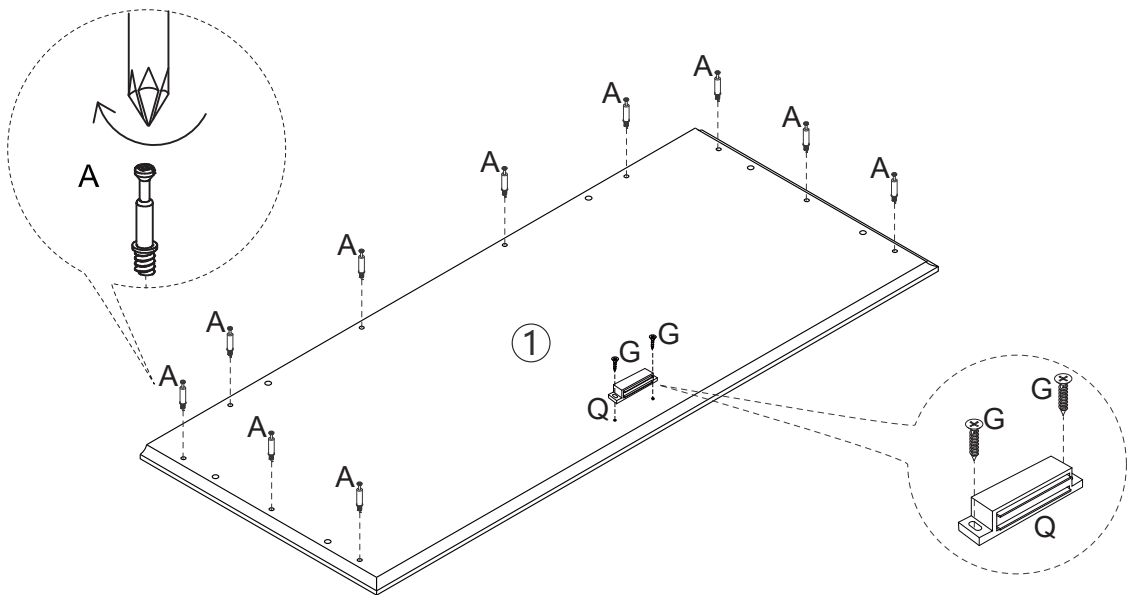
C		K	
	Ø8*30mm Dowel		M4*40mm Screw
	6pcs		9pcs

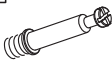
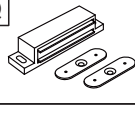

9. Attach Centre Leg to the bottom.



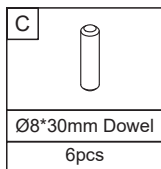
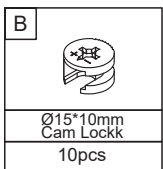
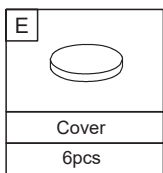
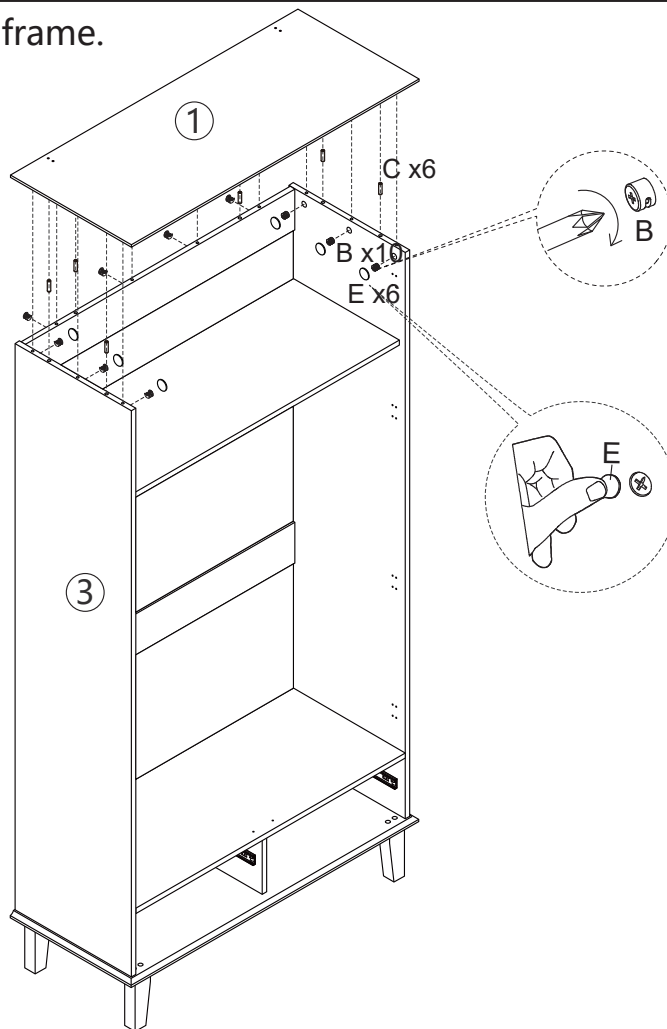
J	
	Mat
	4pcs

10. Attach parts to the top panel.

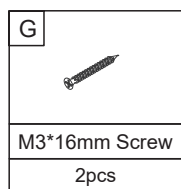
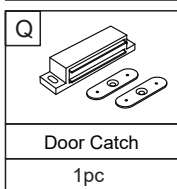
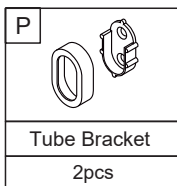
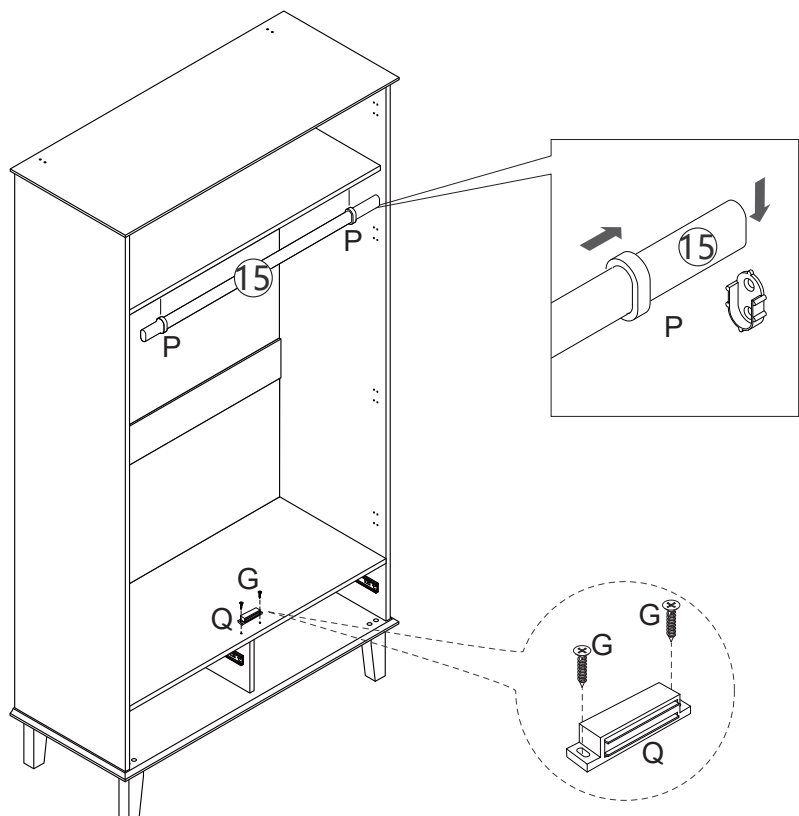


A		Q		G	
	M5*35mm Cam Lock Screw		Door Catch		M3*16mm Screw
	10pcs		1pc		2pcs

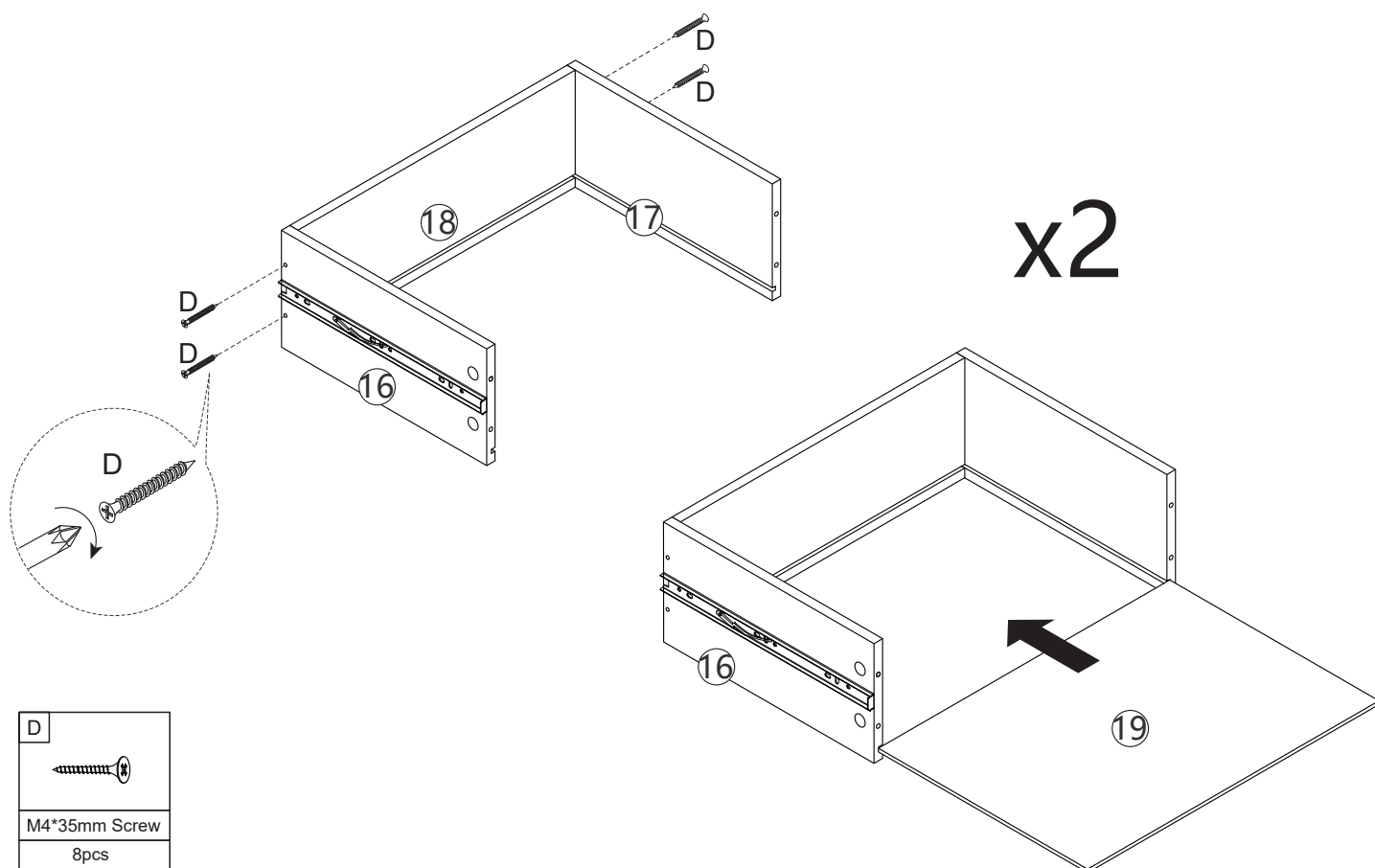
11. Attach the top panel to the frame.



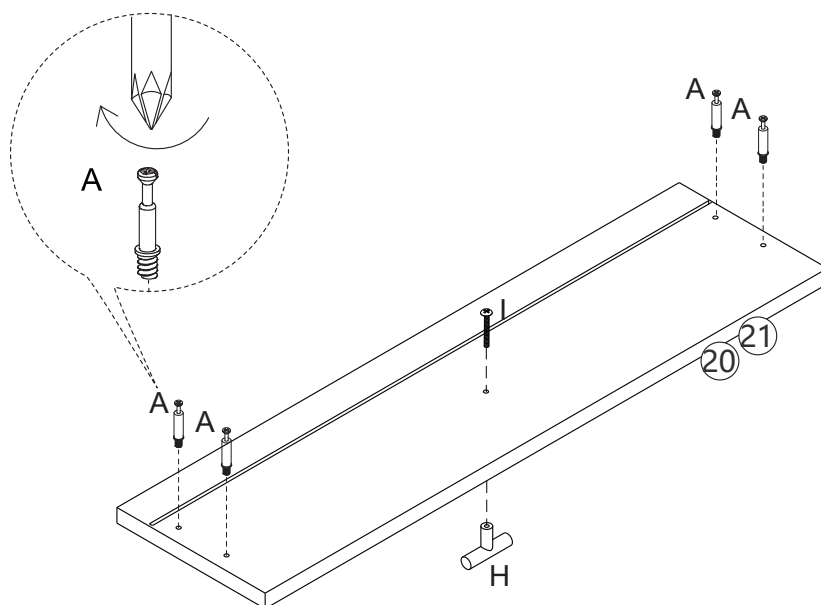
12. Attach hanging bar etc. to the panel.

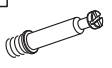
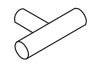



13. Assemble the drawer by following the steps shown in the illustration below.

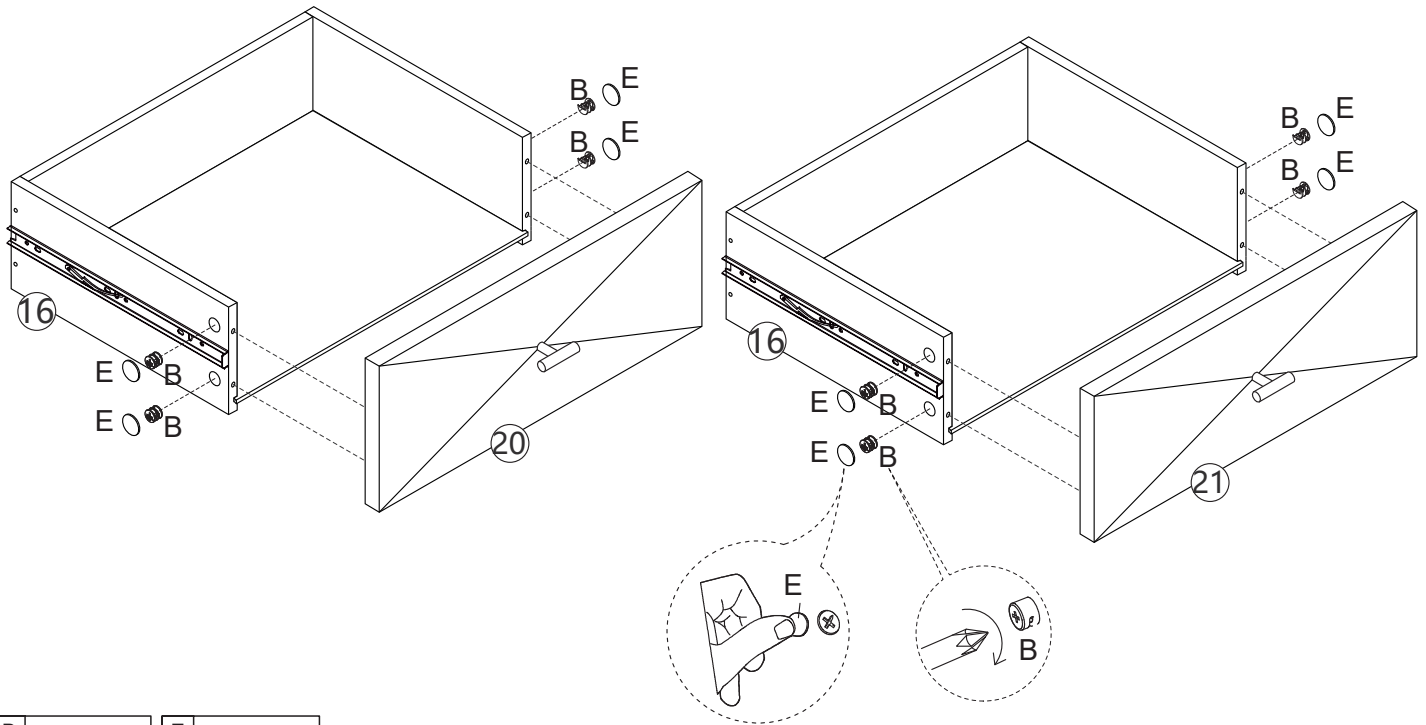




14. Attach parts to the drawer panel.



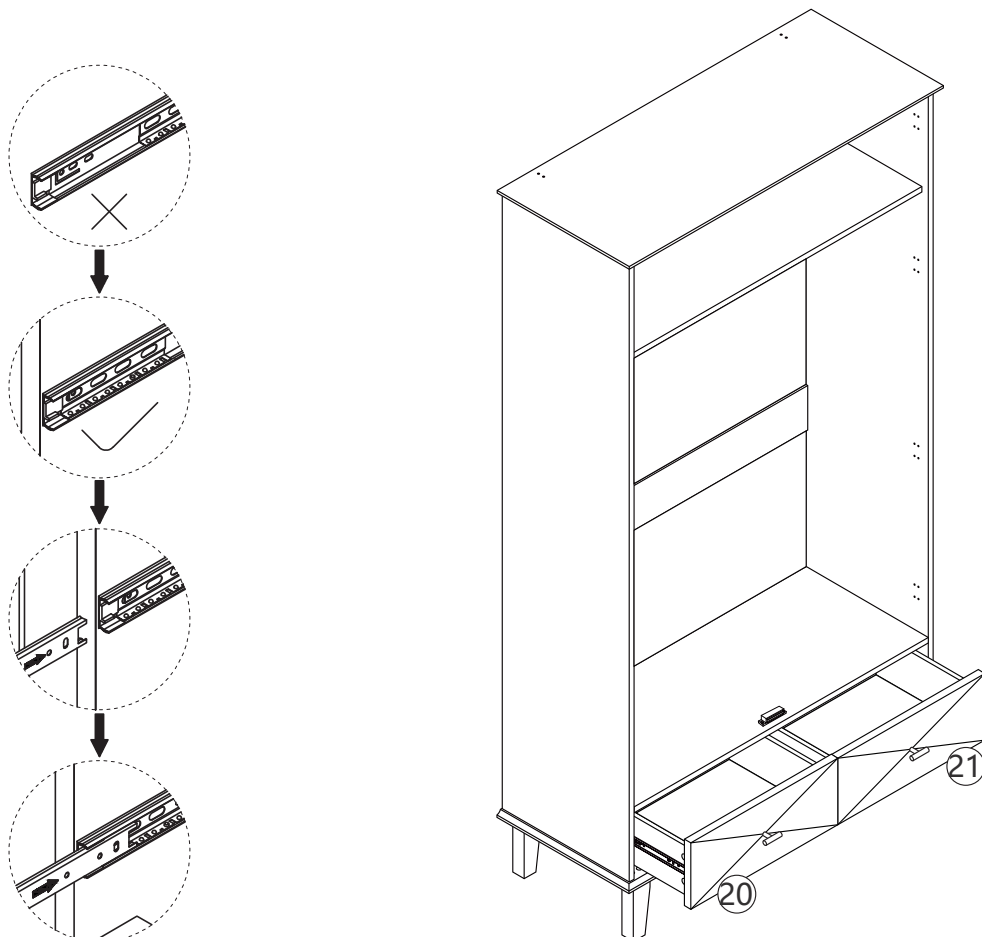
A	H	I
		
M5*35mm Cam Lock Screw	Handle	M4*12mm Bolt
8pcs	2pcs	2pcs

15. Assemble the drawer by following the steps shown in the illustration below.

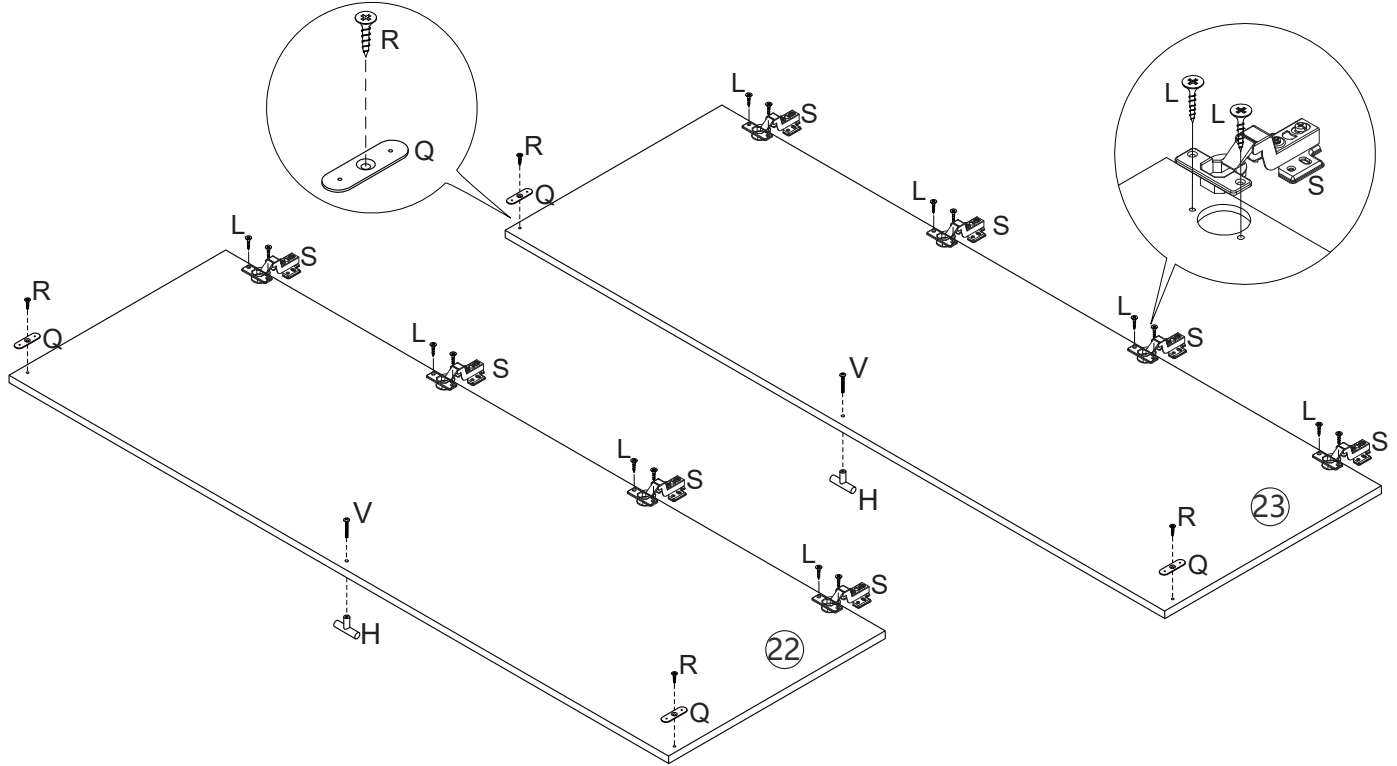


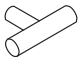

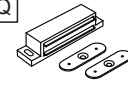



B		E	
	Ø15*10mm Cam Lockk		Cover
	8pcs		8pcs

16. Assemble drawer in the cabinet.

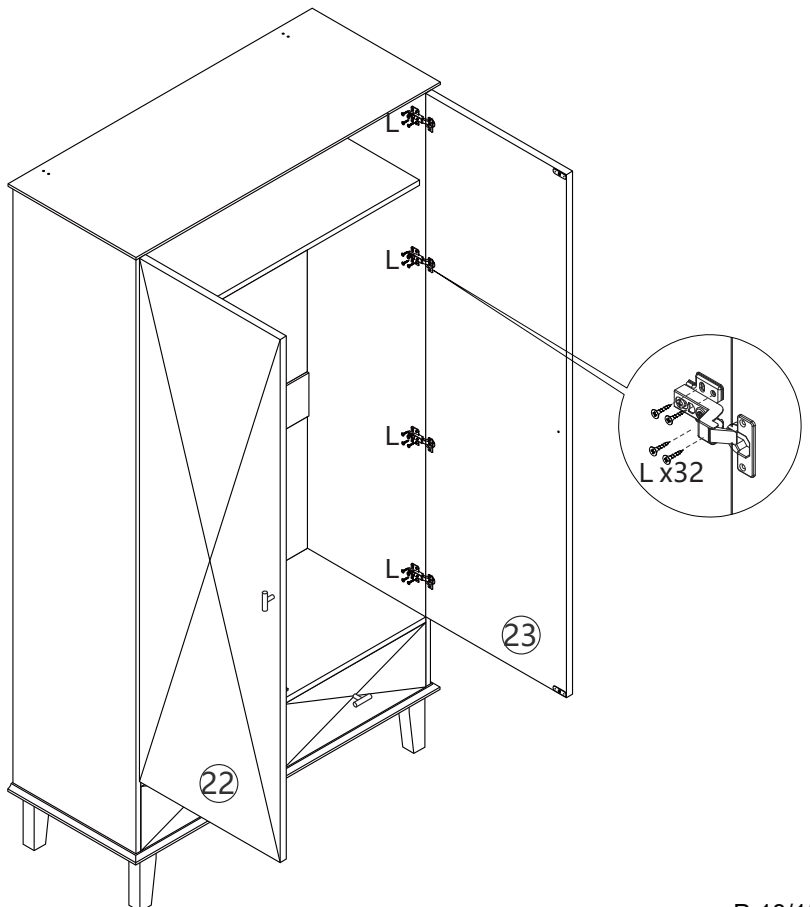
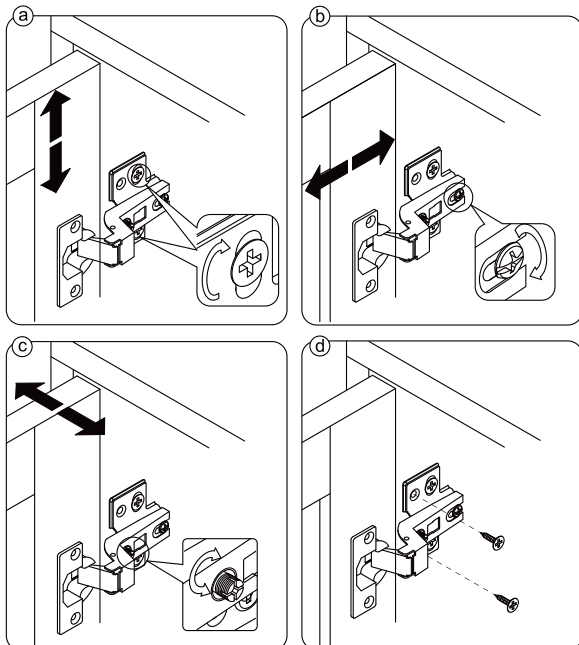


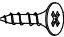
17. Attach parts to the door panel.



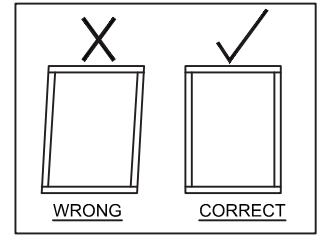
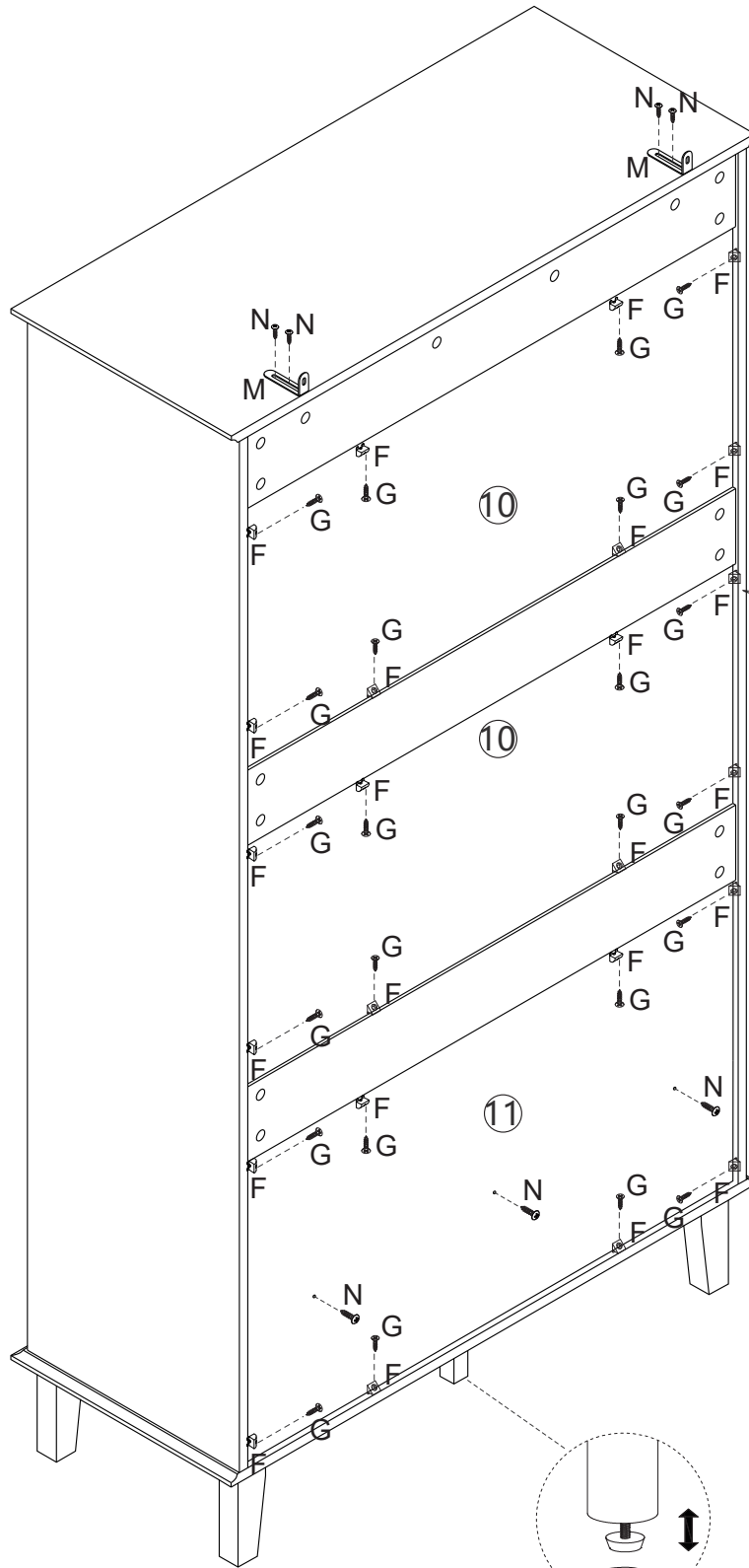
H 	V 	Q 	R 	S 	L 
Handle 2pcs	M4*18mm Bolt 2pcs	Door Catch 2pcs	M3*12mm Screw 4pcs	Hinge 8pcs	M4*14mm Screw 16pcs

18. Assemble the door panel onto the cabinet and adjust it as shown in the picture, Make the door gap even and smooth.

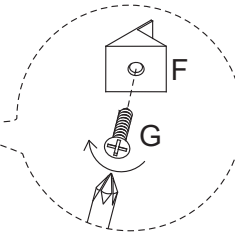






L 
M4*14mm Screw 32pcs

19. Attach the plastic buckles and screws etc.

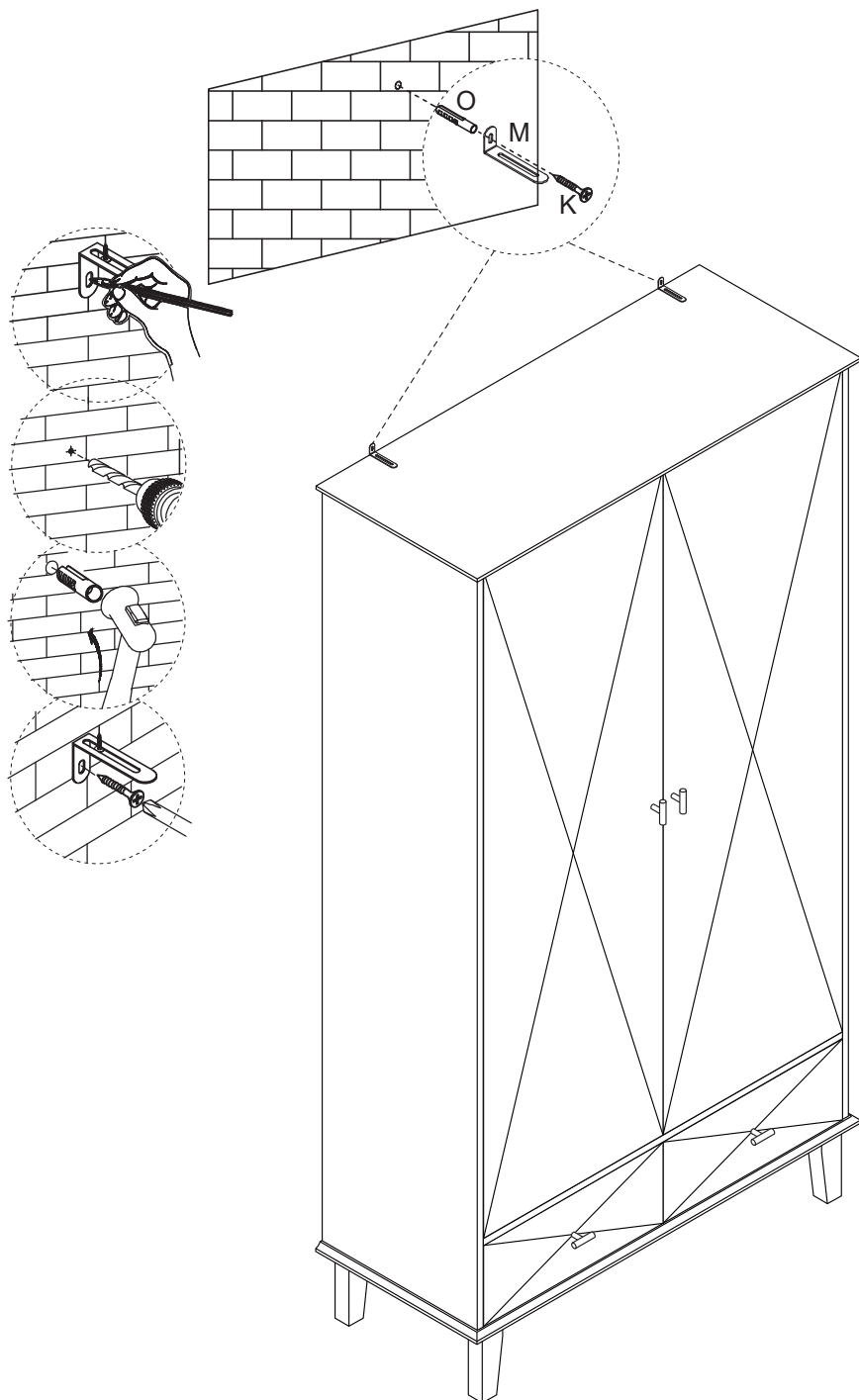


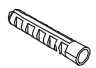
NB: Before tightening the plastic buckles and screws, please ensure the frame is square




			
Plastic Buckle 24pcs	M3*16mm Screw 24pcs	Wall Bracket 2pcs	M4*12mm Screw 7pcs

20. Assemble anti reverse tape, drill holes in the wall, insert expansion bolts, and then fix the furniture to the wall with screws.



O	
M8*40mm Wall Anchor 2pcs	

K	
M4*40mm Screw 2pcs	