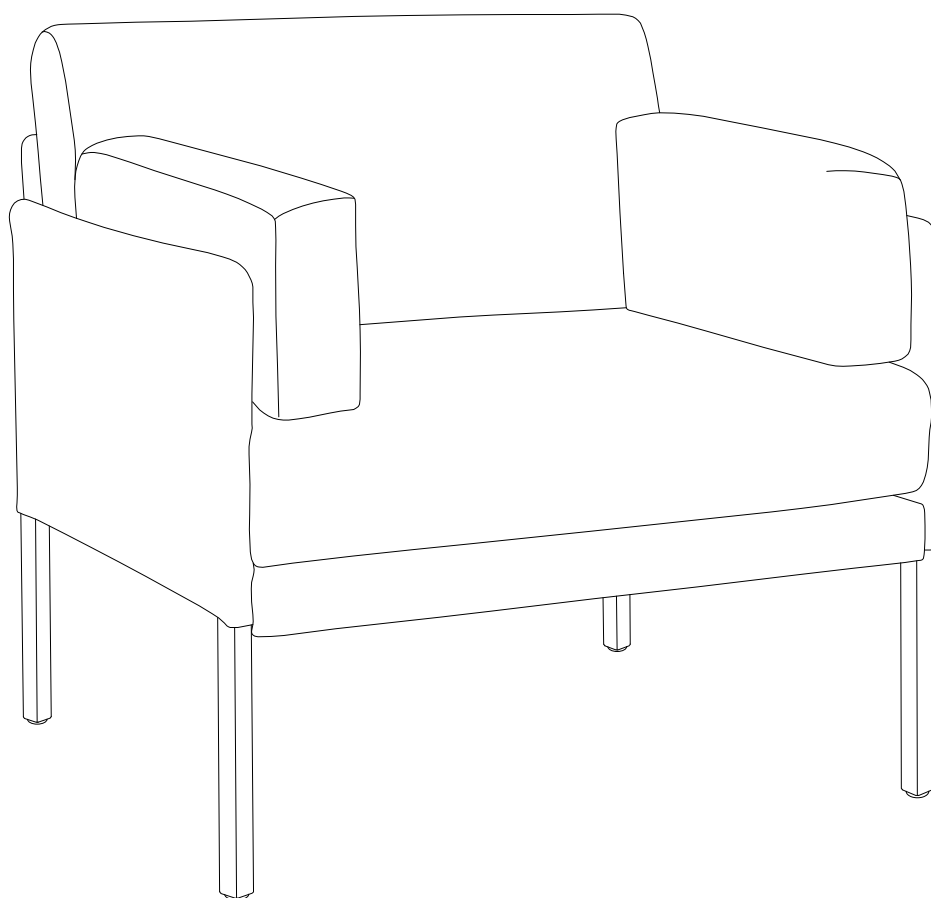


# DUSK.COM

Box Dimensions:L76xW72xH46 (cm)

LIVING | BEDROOM | DINING

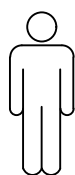
## Ada Accent Chair



V1.0

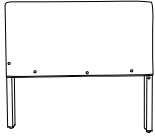
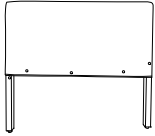


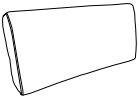





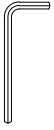


Up to 10 minutes  
assembly time



One person  
assembly

Page 1

<b>A</b>		<b>B</b>		<b>C</b>		<b>D</b>	
	Left Leg		Right Leg		Metal bar		Seat
	1pc		1pc		1pc		1pc
<b>E</b>		<b>F</b>		<b>G</b>		<b>H</b>	
	Back cushion		Armrest pillow		8*22*1.5		M8*55MM
	1pc		1pc		10pcs		6pcs
<b>I</b>		<b>J</b>		<b>K</b>			
	M8*40MM		M6*40MM		M6		
	2pcs		4pcs		1pc		

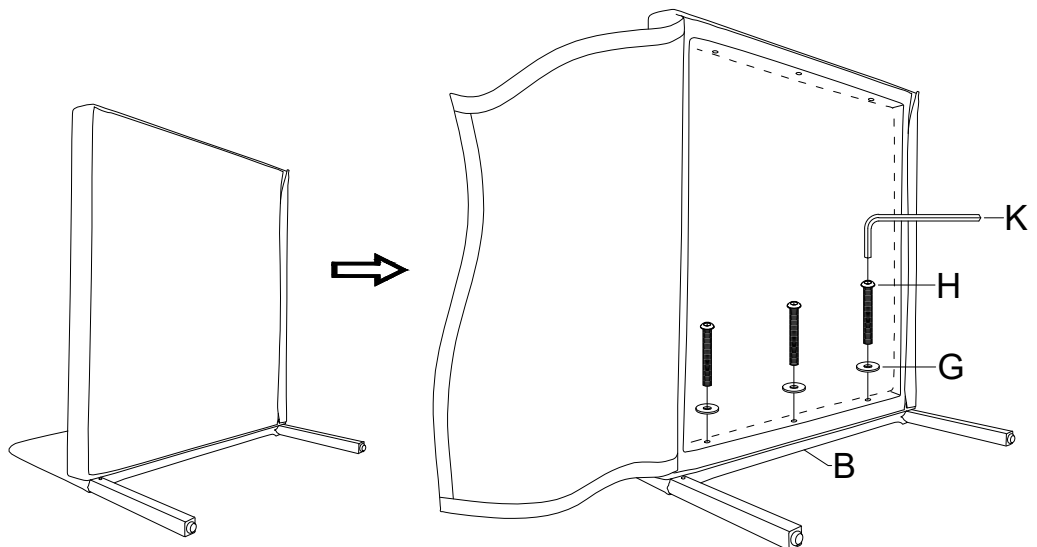
Components supplied. Please use this guide if you require replacement parts.

**Step 1:** Pull the velcro strap on the seat, attach one side leg (B) to the seat (D) at first. Remember do not tighten fully until the structure is assembled.

**G**  3pcs


**H**  3pcs

**K**  1pc

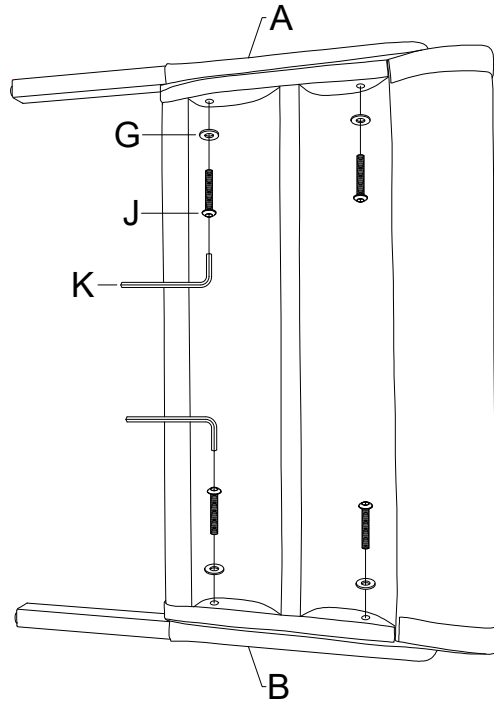


Step 2: Pull the velcro strap on the back, screw one side of the back first, meanwhile, attach the other side leg (A) to the seat. screw the other side back, then close the velcro.

**G**  4pcs

**J**  4pcs

**K**  1pc

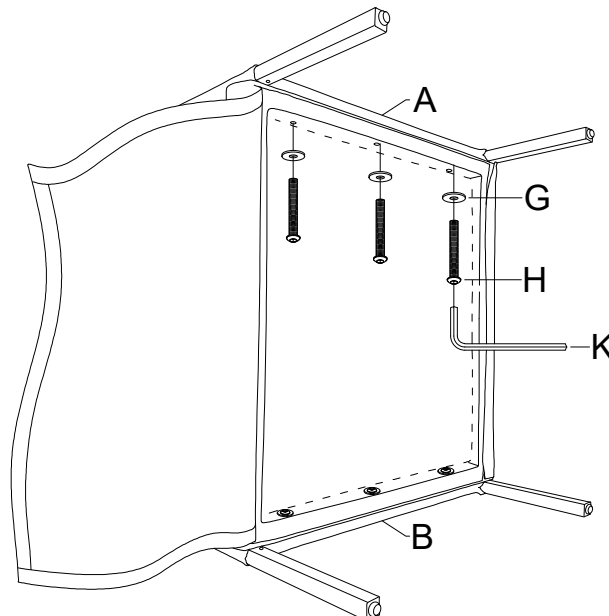


Step 3: Then back to the seat, screw the other side leg (A) to the Seat.

**G**  3pcs

**H**  3pcs

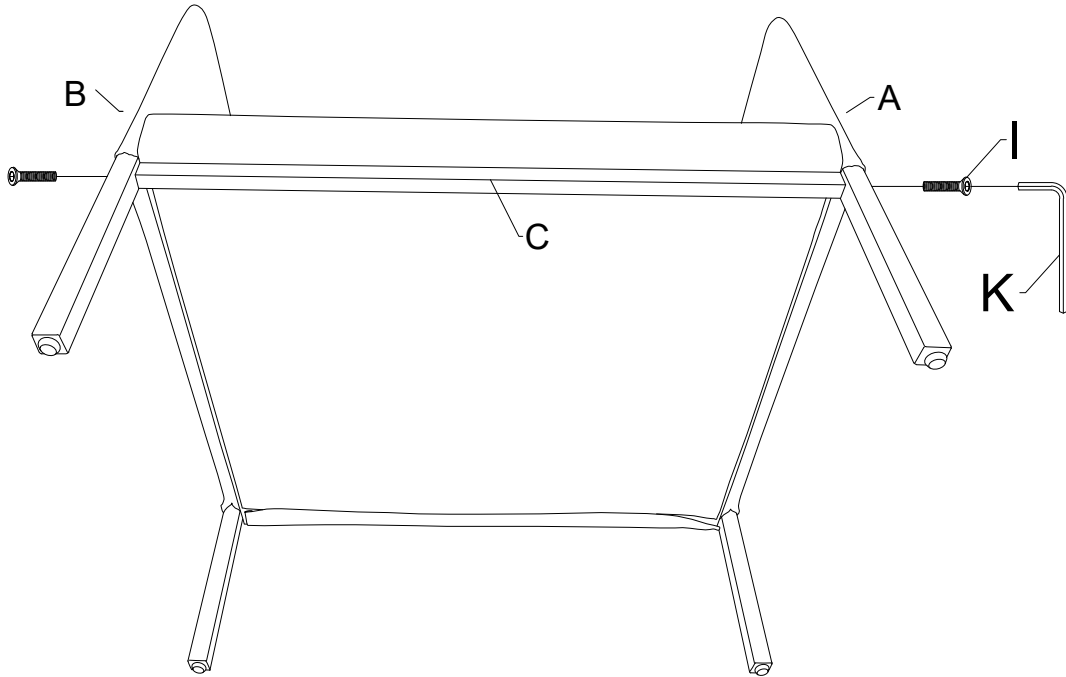
**K**  1pc



Step 4: Attach the metal bar (C).

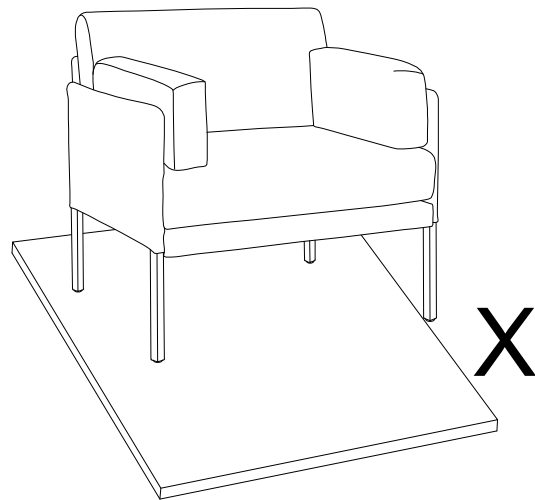
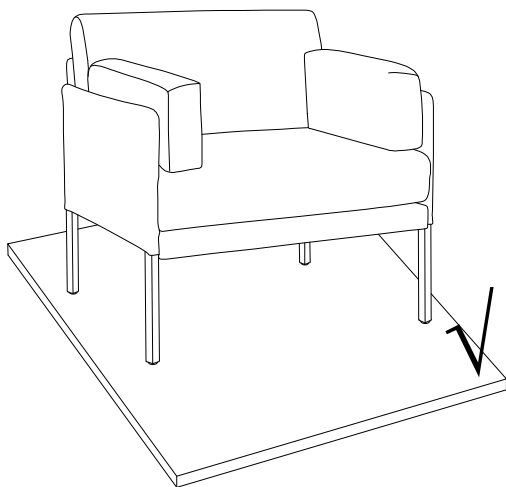
I  2pcs

K  1pc



Step 5: Put the assembled chair onto a flat base and then fully tighten all bolts.

100%



The foot cap is adjustable to help balance the chair.

## **Care and Maintenance**

- 1.Clean with your vacuum curtain attachment (the one with a lint-catching fabric strip) or a lint roller to stop dust build up.Do this regularly to keep the chair in its best condition.
- 2.Try to keep your chair away from direct sunlight, and not too close to heat sources, as this can cause fading over time.Do not allow the chair to make direct contact with any radiators or sources of heat.
- 3.Wipe up the spillages as quickly as possible by gently dabbing or blotting with a dry cloth until the mark fades away. Some tougher spills, such as oil and grease,can be more persistent and leave a stain. In this case, it's best to contact a specialist cleaning service.
- 4.Do not drag the chair. When moving, lift the chair off the floor.
- 5.Keep children and pets away while assembling the chair. Small parts could be a choking hazard.
- 6.Re-tighten all nuts and bolts after two weeks of use and regularly thereafter.
- 7.Do not sit on the arms of the chair.
- 8.Do not jump on the chair.
- 9.Only use the chair on a flat and level surface.
- 10.Dispose of all packaging carefully and responsibly - recycle where possible.
- 11.This product is intended for domestic use only, not commercial purposes.

## **Important**

### **Safety and Care**

It's important to ensure children and animals are kept away from the assembly area.As there are small components used in this product which could present a choking hazard.All plastic and wrapping materials should also be kept away from children and animals to prevent any risk of suffocation.

### **Help and Support**

Please contact our customer service team on 0113 519 0311 if you have any questions or issues with your purchase.

### **Recycling**

Please ensure that packaging is disposed of in a safe and environmentally friendly way, and recycle where possible.Please keep your assembly instructions safe to refer back to in the future.