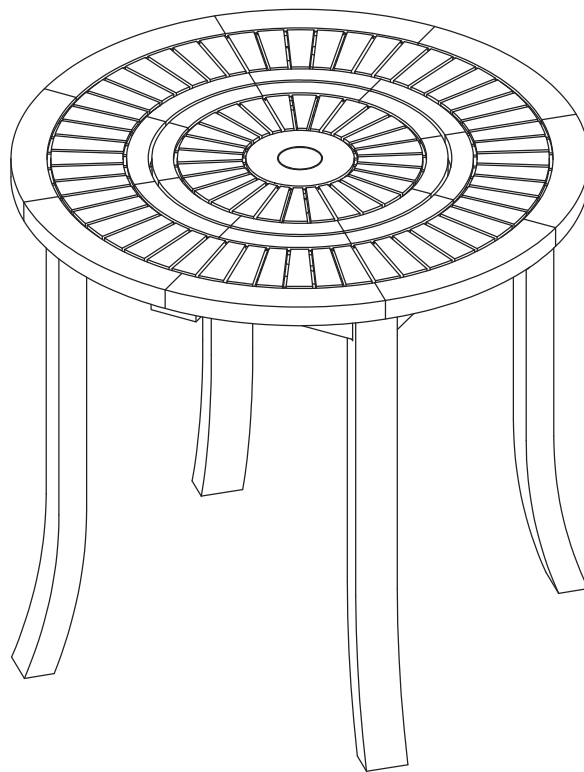




Assembly Manual

Maris 2-Seater Round Bistro Dining Table



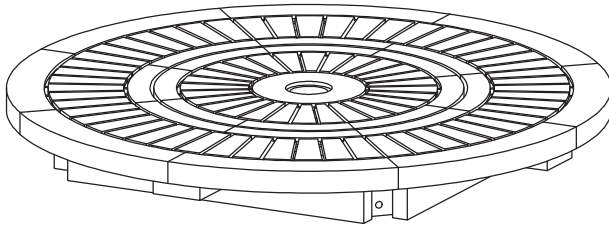
THIS PRODUCT IS FOR DOMESTIC USE ONLY.

**FURNITURE SHOULD BE COVERED/STORED WHILST NOT IN USE TO
PROLONG ITS LONGEVITY.**

(IT SHOULD ALSO BE COVERED IN ADVERSE WEATHER.)

**IMPORTANT, PLEASE RETAIN FOR FUTURE REFERENCE
READ CAREFULLY**

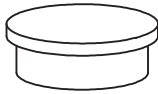
Parts List



A*1



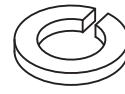
B*4



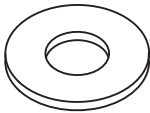
C*1



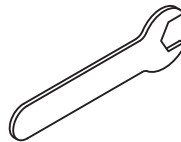
N*8



SW*8



FW*8

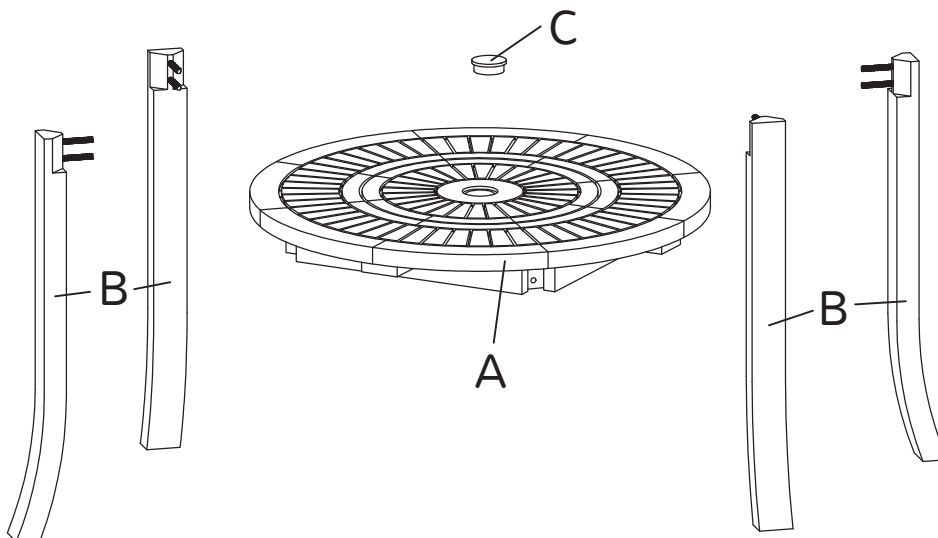


SP*1



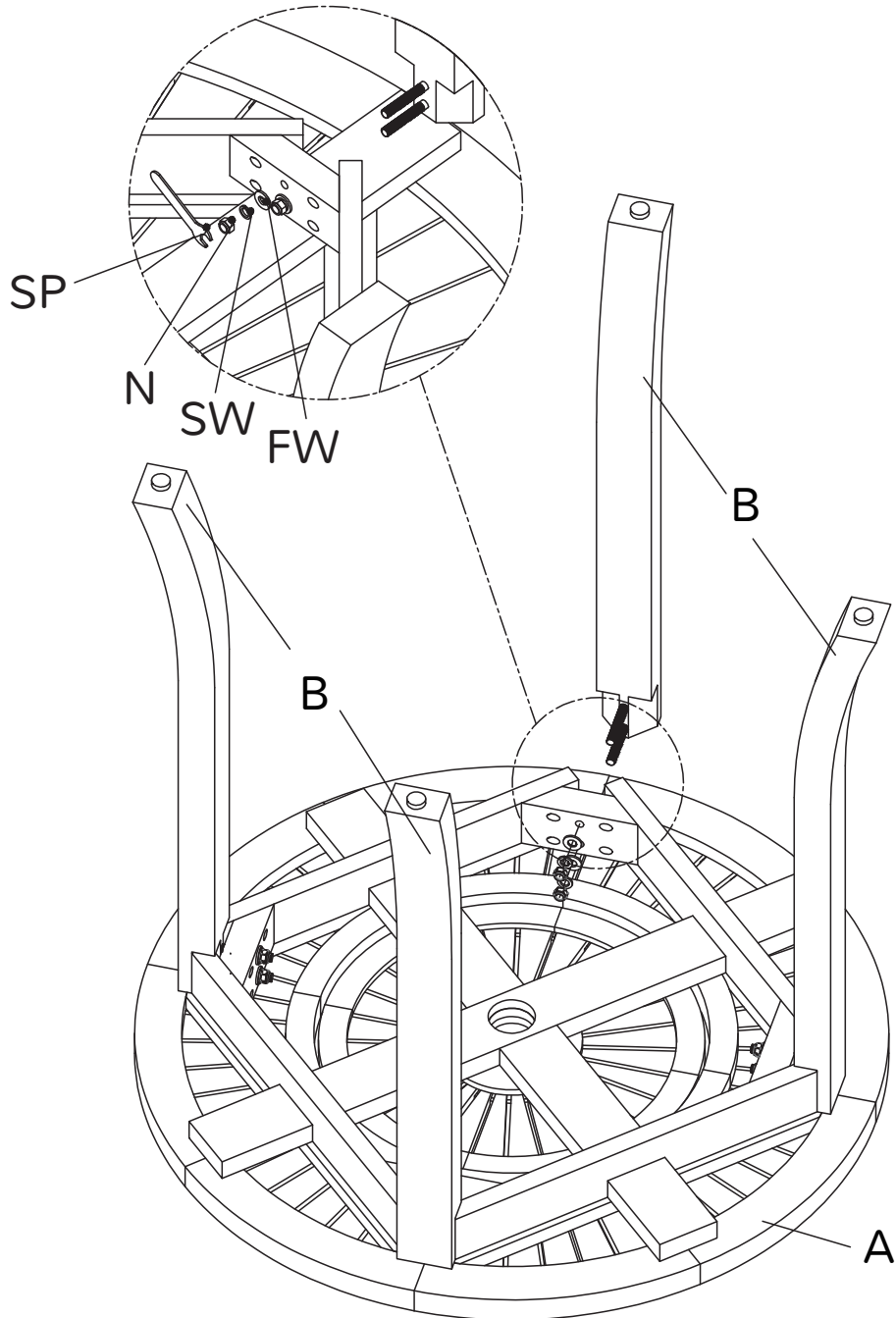
Touch-Up Paint Bottle
TP*1

Exploded View

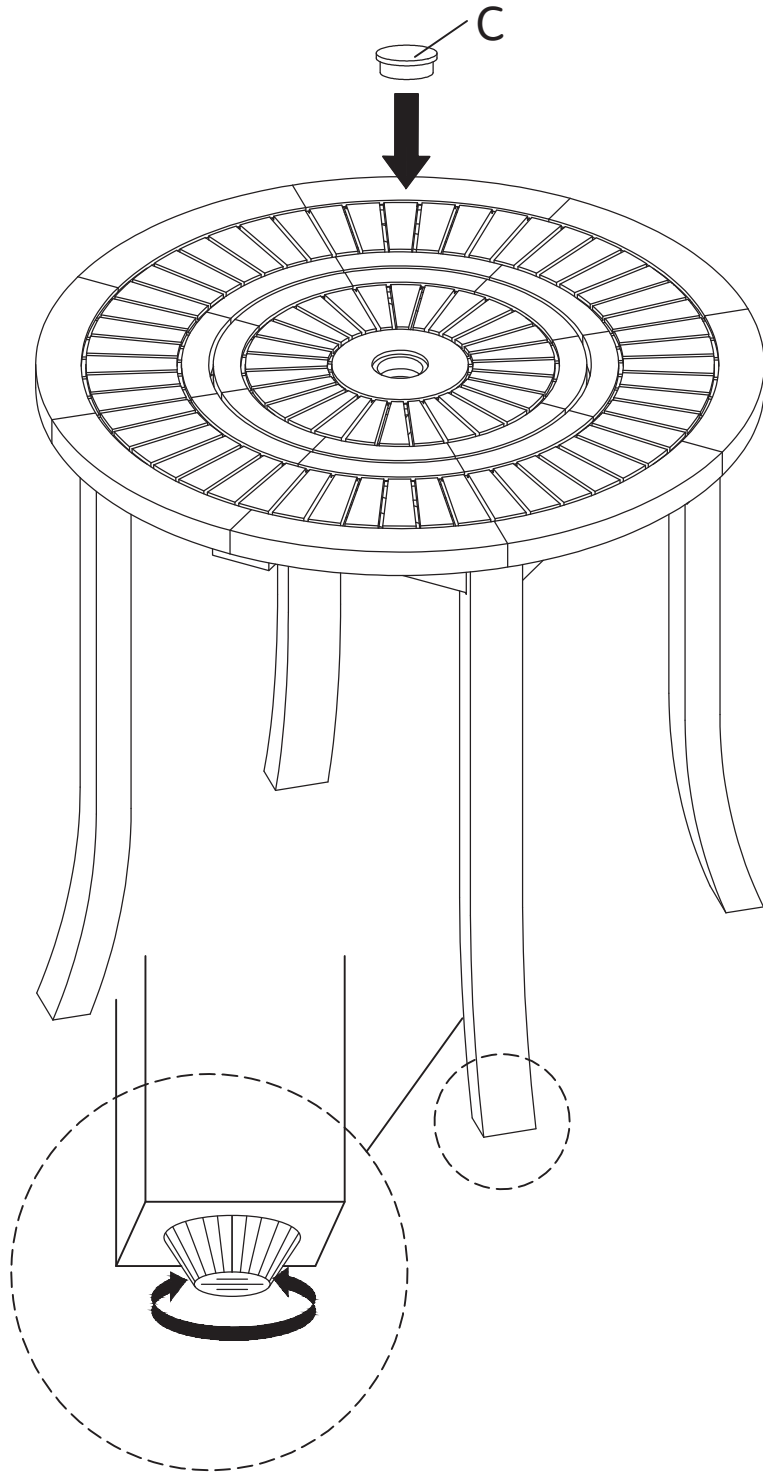


Assembly Steps

1



2



Levelling Screw

