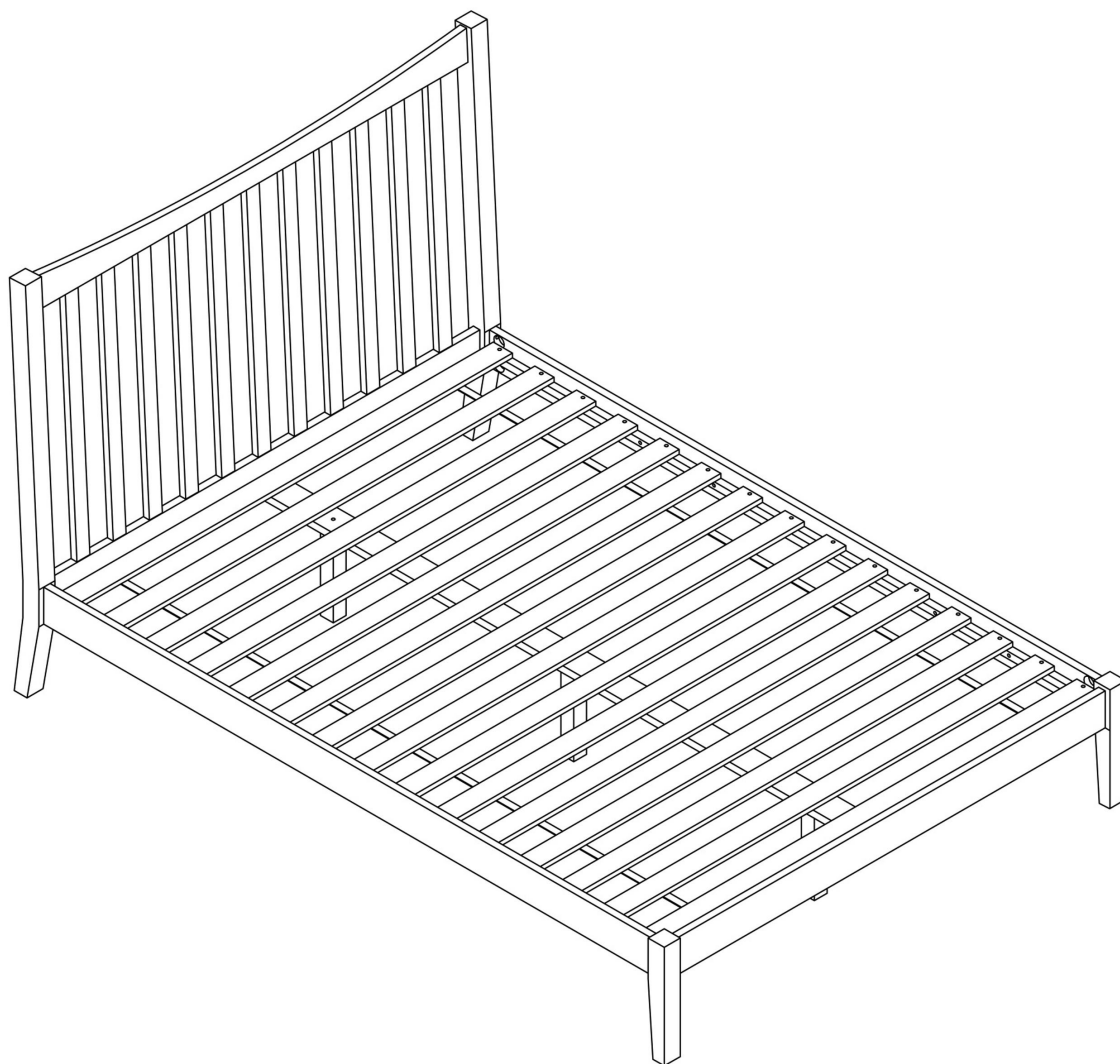
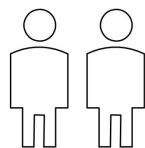


Dartmouth Bed Frame

Double



Up to 2 hours
assembly time



Two person
assembly

Important

Assembly Tip

Before you begin, it's best to identify all of the parts and fitting to build your bed frame. We advise laying these out on the floor to check you have everything, and to familiarise yourself with all of the parts and fitting before building.

Top Tip

We recommend that you build your new bed frame in the room you'd like it to be located. This will help prevent any risk of damage to the frame whilst moving it.

Safety and Care

It's important to ensure children and animals are kept away from the assembly area, as there are small components used in the bed frame which could present a choking hazard. All plastic and wrapping materials should also be kept away from children and animals to prevent any risk of suffocation.

Help and Support

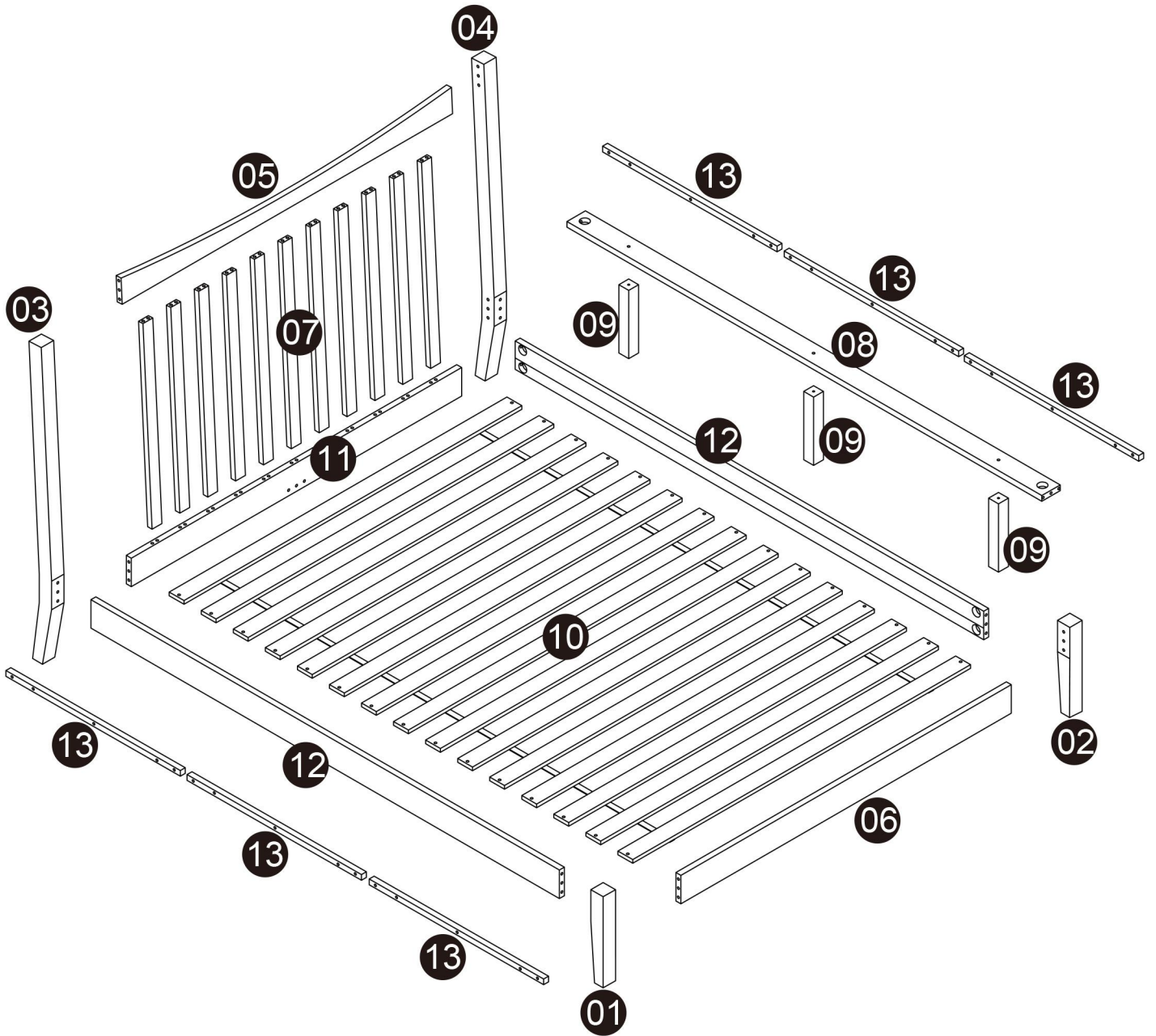
Please contact our customer service team on 0113 519 0311 if you have any questions or issues with your purchase.

Recycling

Please ensure that packaging is disposed of in a safe and environmentally friendly way, and recycle where possible. Please keep your assembly instructions safe to refer back to in the future.

Parts

Before you begin building your bed frame, please take a moment to read through the instructions and make sure that you have all the relevant parts listed on parts check list.


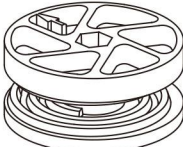

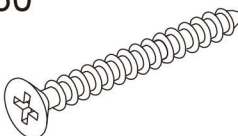


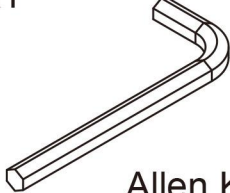



Parts Check List

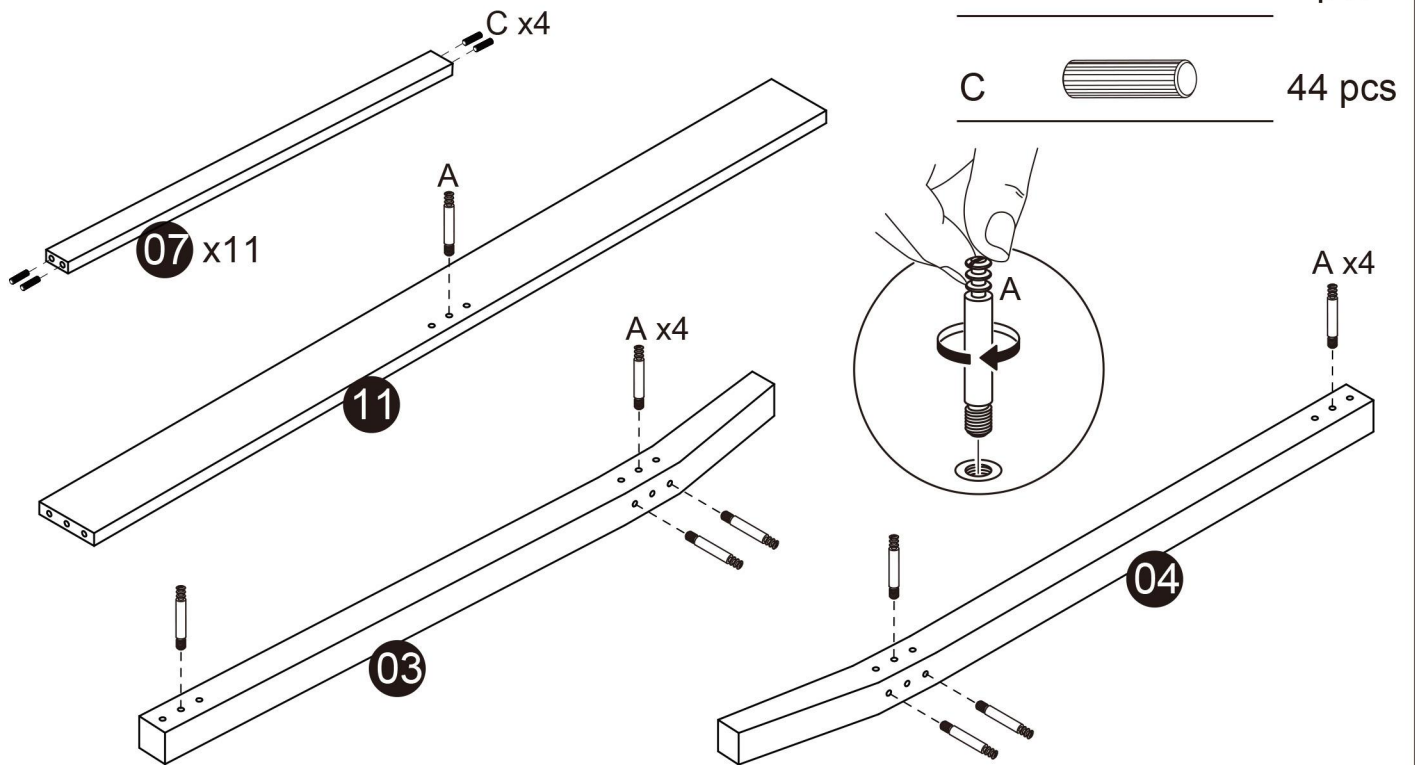
No.	Part List	Qty	Box No	No.	Part List	Qty	Box No
1	Left Front Leg	1	1	8	Central Support Rail	1	1
2	Right Front Leg	1	1	9	Central Support Legs	3	1
3	Left Back Leg	1	1	10	Slats	15	1
4	Right Back Leg	1	1	11	Headboard	1	1
5	Top Headboard Panel	1	1	12	Side Rails	2	1
6	Footboard	1	1	13	Strips	6	1
7	Headboard Slats	11	1				

Fittings

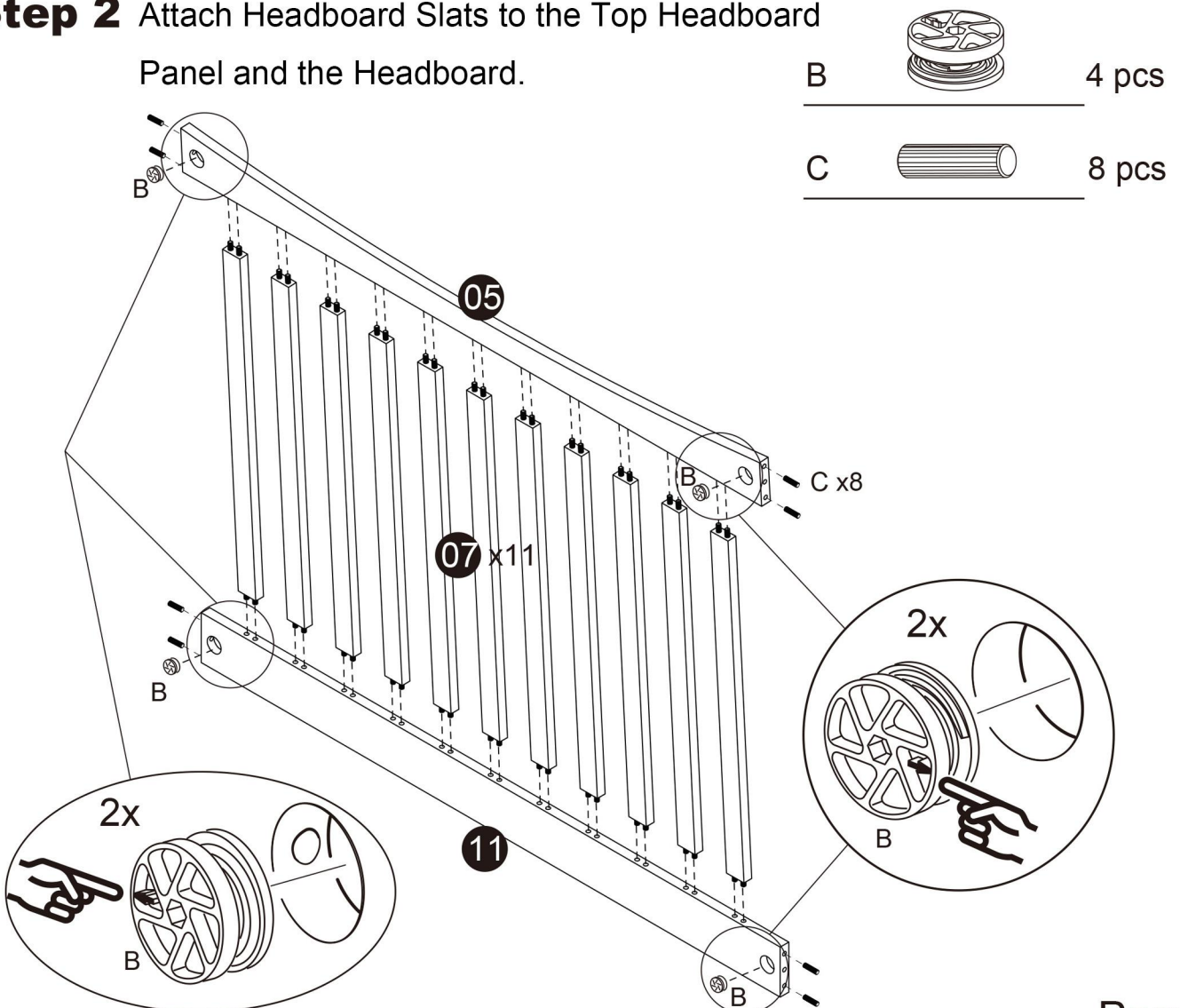
Please check you have all the fitting listed below with you product.

<p>A x16</p>  <p>CAM dowel</p>	<p>B x16</p>  <p>CAM lock</p>	<p>C x64</p>  <p>Wood dowel Ø8x30mm</p>
<p>D x60</p>  <p>Screw Ø4x30mm</p>	<p>E x3</p>  <p>Screw M7x50mm</p>	<p>F x1</p>  <p>Allen Key M4</p>
<p>G x1</p>  <p>Allen Key M6</p>	<p>H x16</p>  <p>Self-Adhesive Screw Hole Sticker</p>	

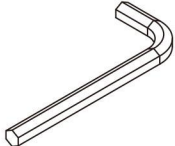

Step 1 Attach wood dowels and CAM dowels.

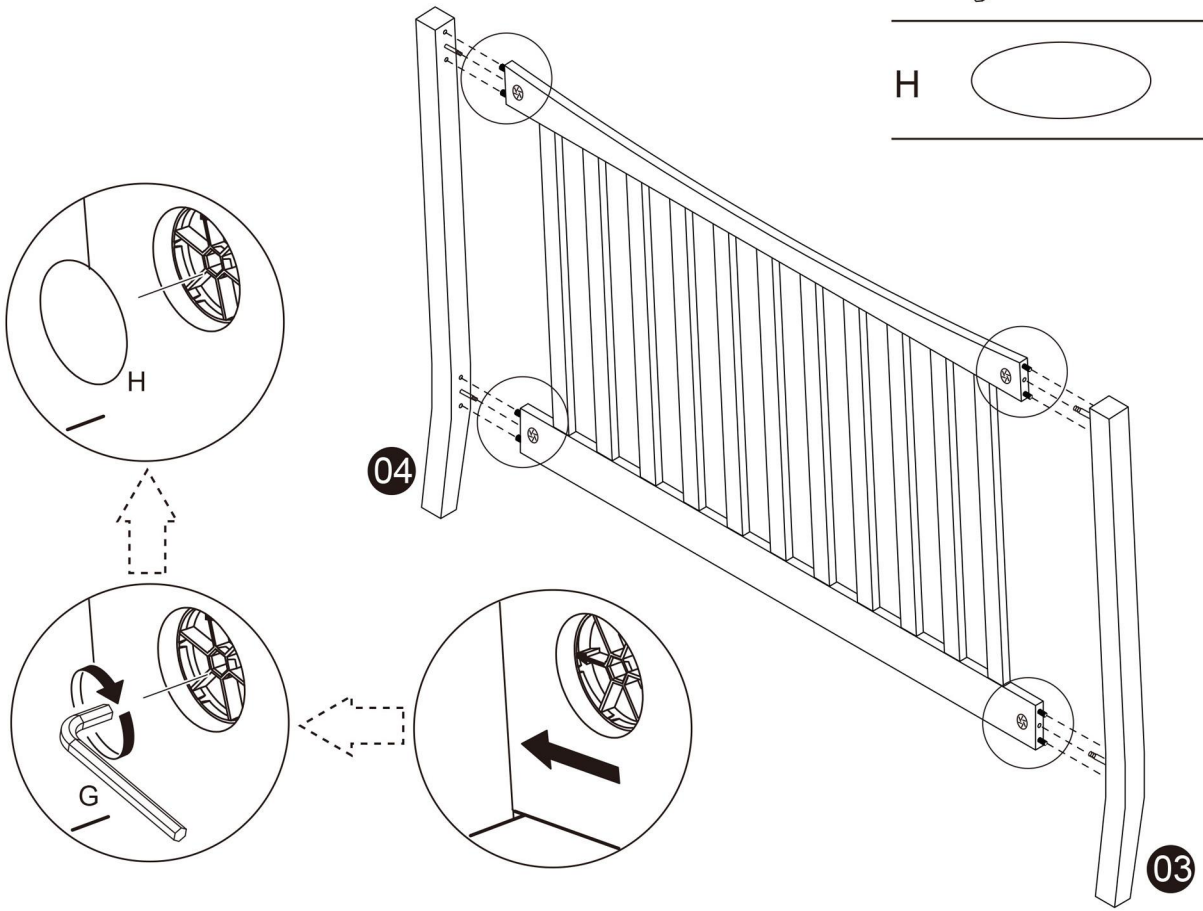


Step 2 Attach Headboard Slats to the Top Headboard Panel and the Headboard.






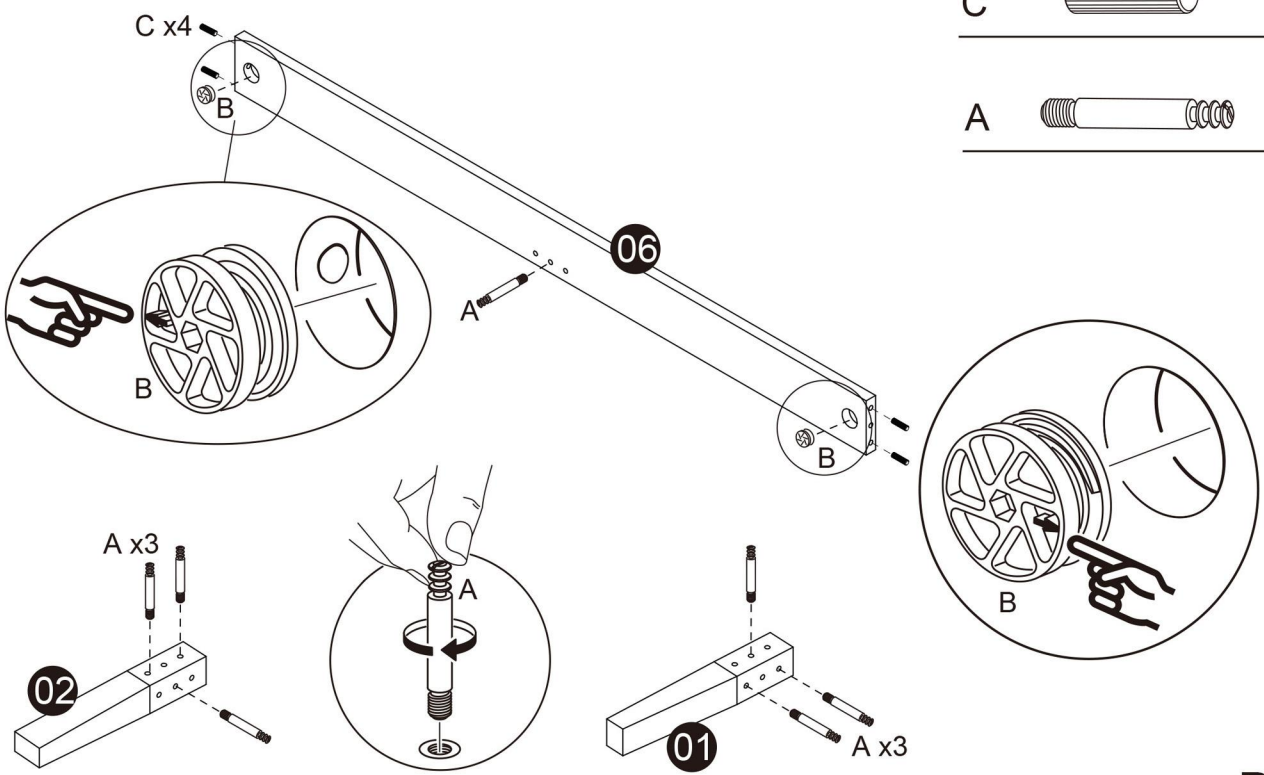
Step 3 Attach the Legs to the Headboard.

G		1 pc
H		4 pcs

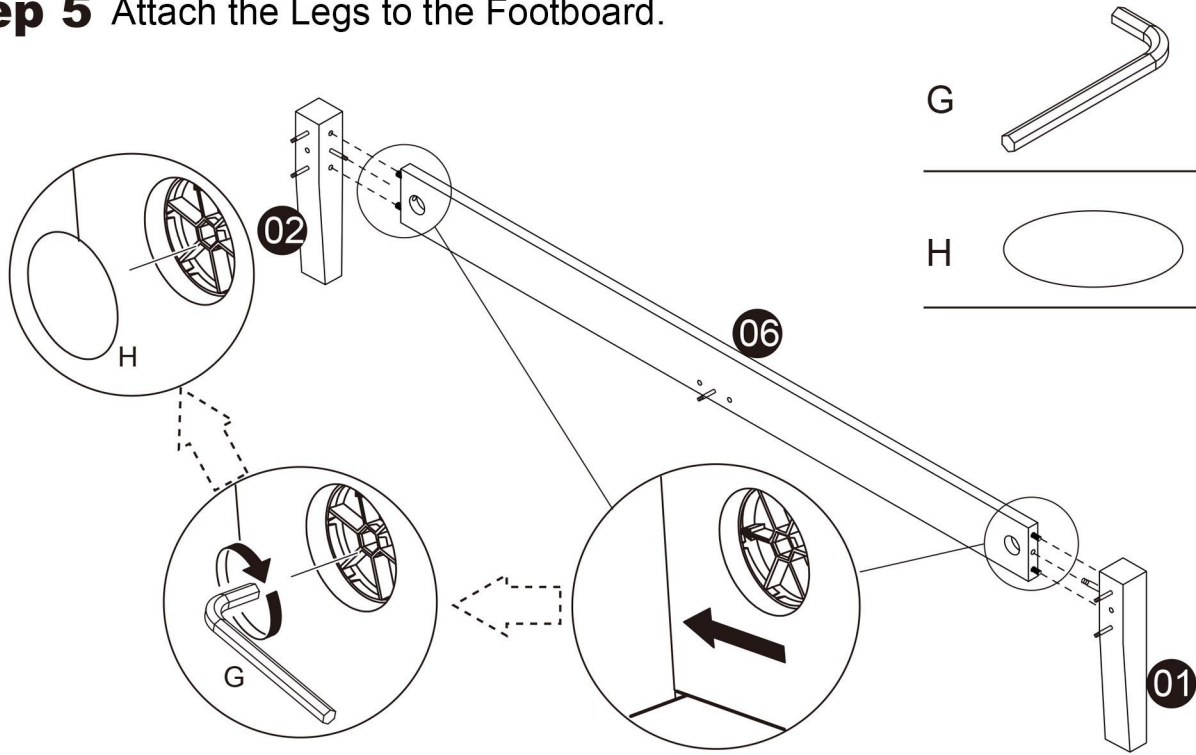


Step 4 Attach Wood Dowels and CAM dowels.

B		2 pcs
C		4 pcs
A		7 pcs

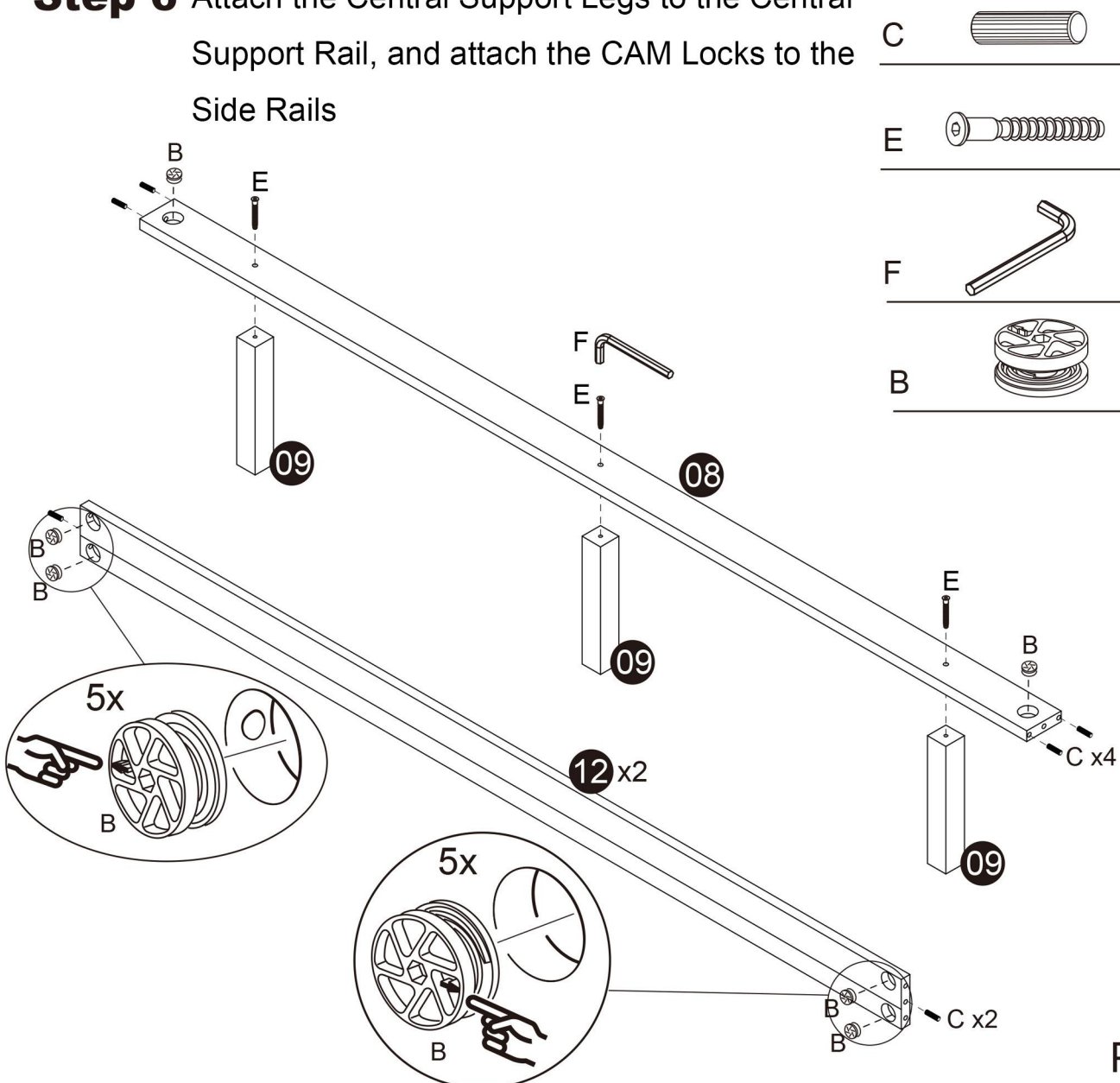


Step 5 Attach the Legs to the Footboard.



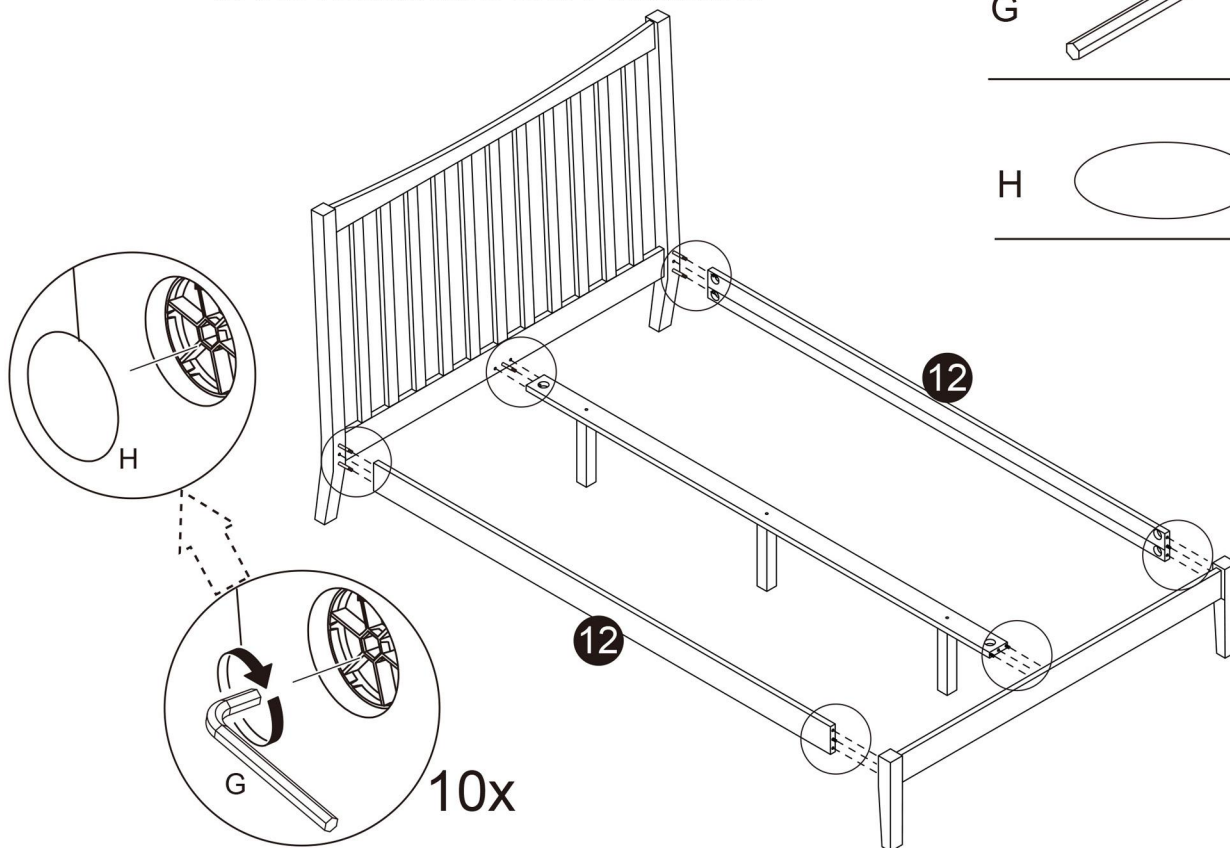
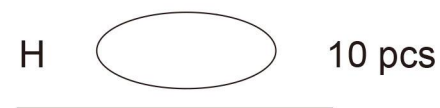
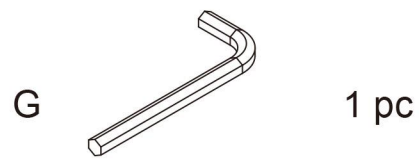
G		1 pc
H		2 pcs

Step 6 Attach the Central Support Legs to the Central Support Rail, and attach the CAM Locks to the Side Rails

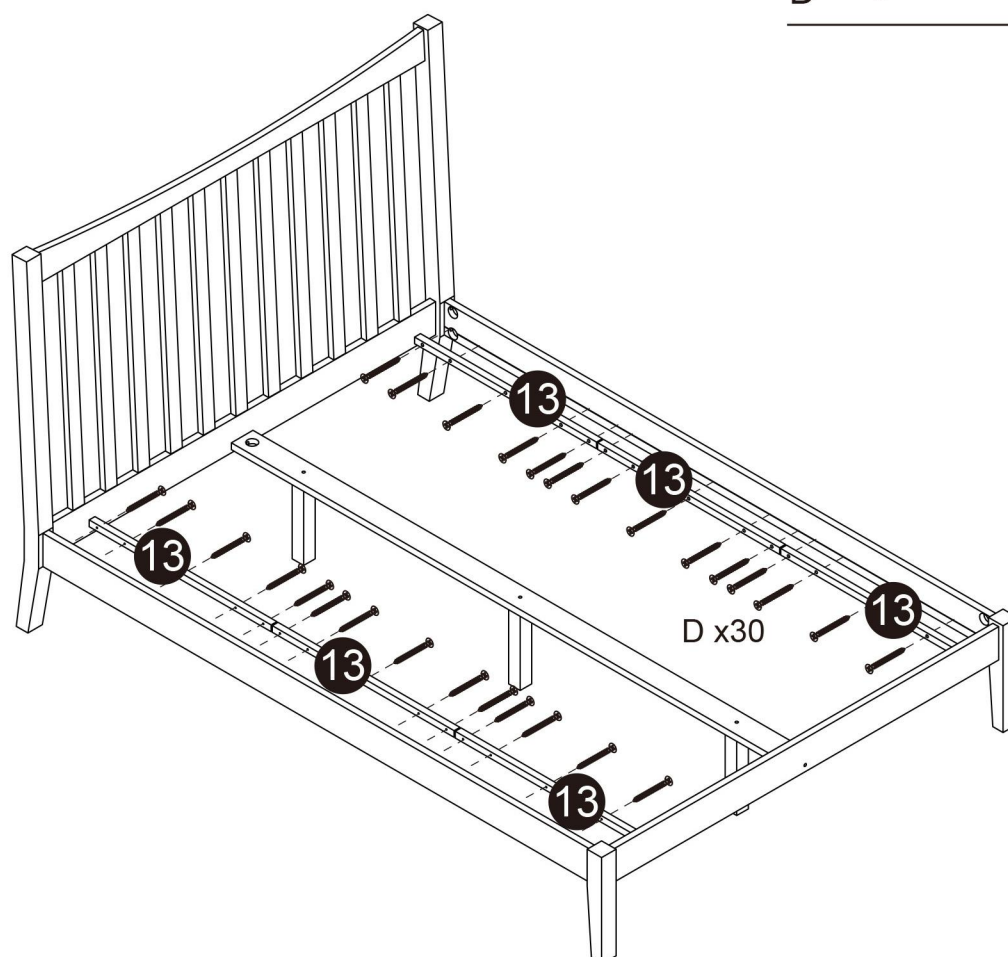


C		8 pcs
E		3 pcs
F		1 pc
B		10 pcs

Step 7 Attach the Side Rails and Cenral Support Rail to the Headboard and Footboard.

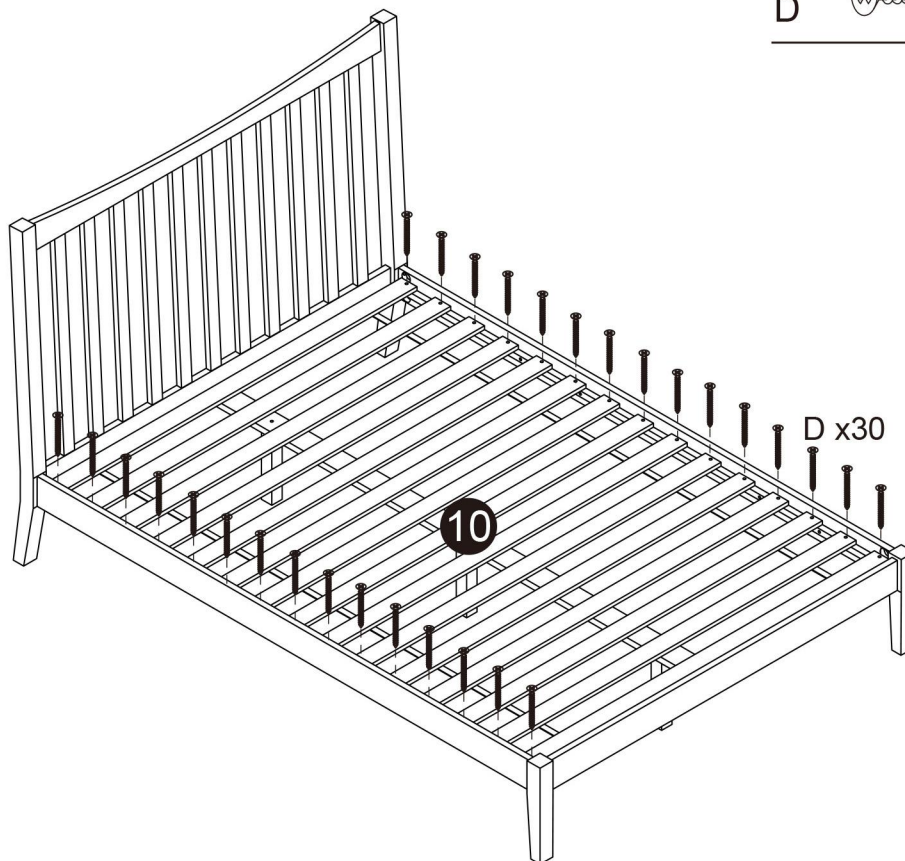


Step 8 Attach the Strips.



Step 9 Attach the Slats to the Bed Frame.

D  30 pcs



Care and Maintenance

Here are some good tips to keep your new bed frame in tip-top condition.

Cleaning

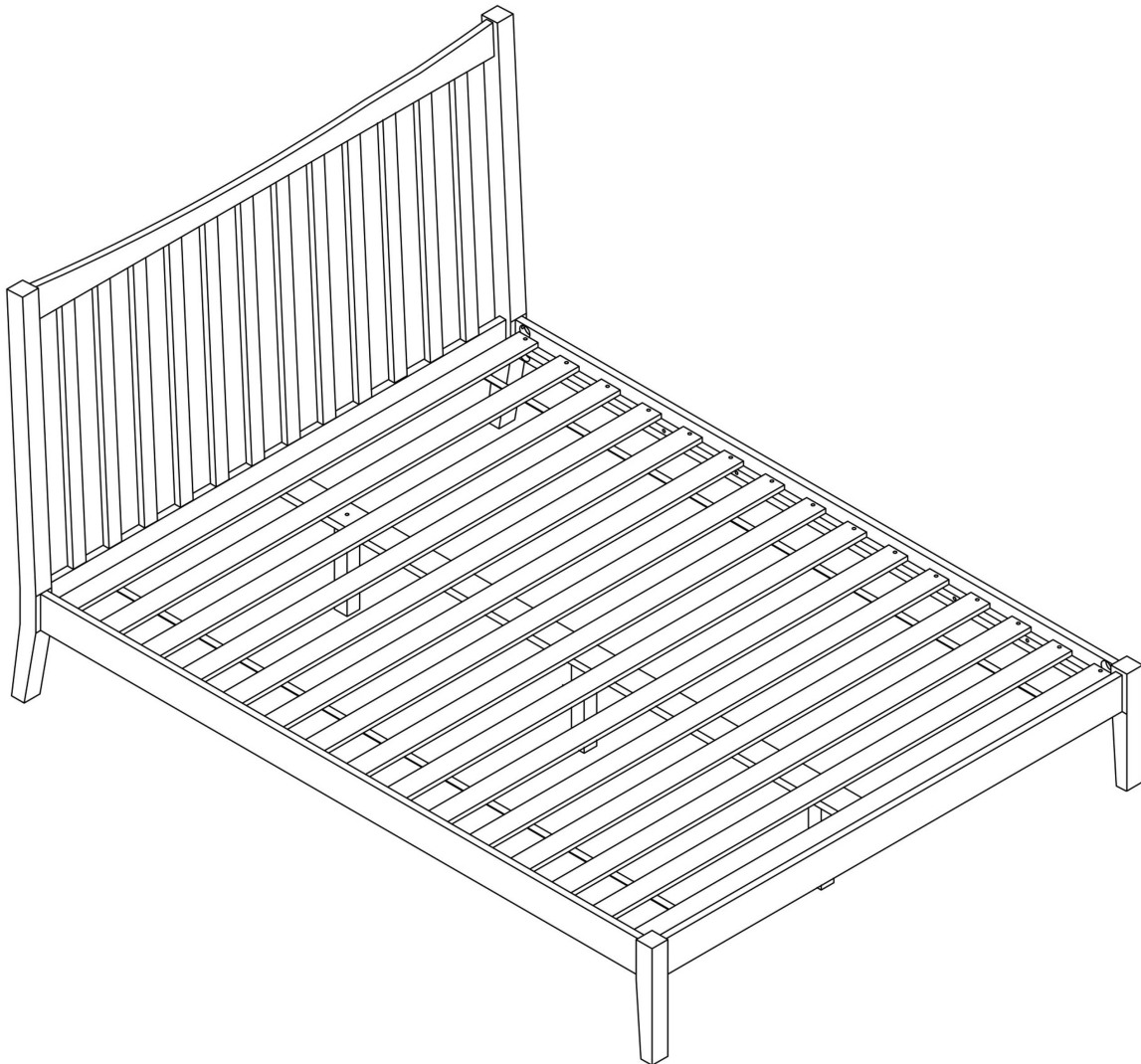
To clean your new bed frame, we advise using a damp cloth if the fabric is dusty or a low suction vacuum. Do not use abrasive chemicals or bleach as this may damage the product.

Checking and Moving

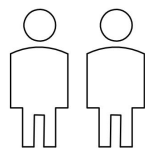
Periodically, we recommend you check that the screws and fixtures haven't become loose over time. To move your bed frame, we recommend lifting it where possible, as dragging or pushing it could cause damage to the legs or flooring.

Dartmouth Bed Frame

King



Up to 2 hours
assembly time



Two person
assembly

Important

Assembly Tip

Before you begin, it's best to identify all of the parts and fitting to build your bed frame. We advise laying these out on the floor to check you have everything, and to familiarise yourself with all of the parts and fitting before building.

Top Tip

We recommend that you build your new bed frame in the room you'd like it to be located. This will help prevent any risk of damage to the frame whilst moving it.

Safety and Care

It's important to ensure children and animals are kept away from the assembly area, as there are small components used in the bed frame which could present a choking hazard. All plastic and wrapping materials should also be kept away from children and animals to prevent any risk of suffocation.

Help and Support

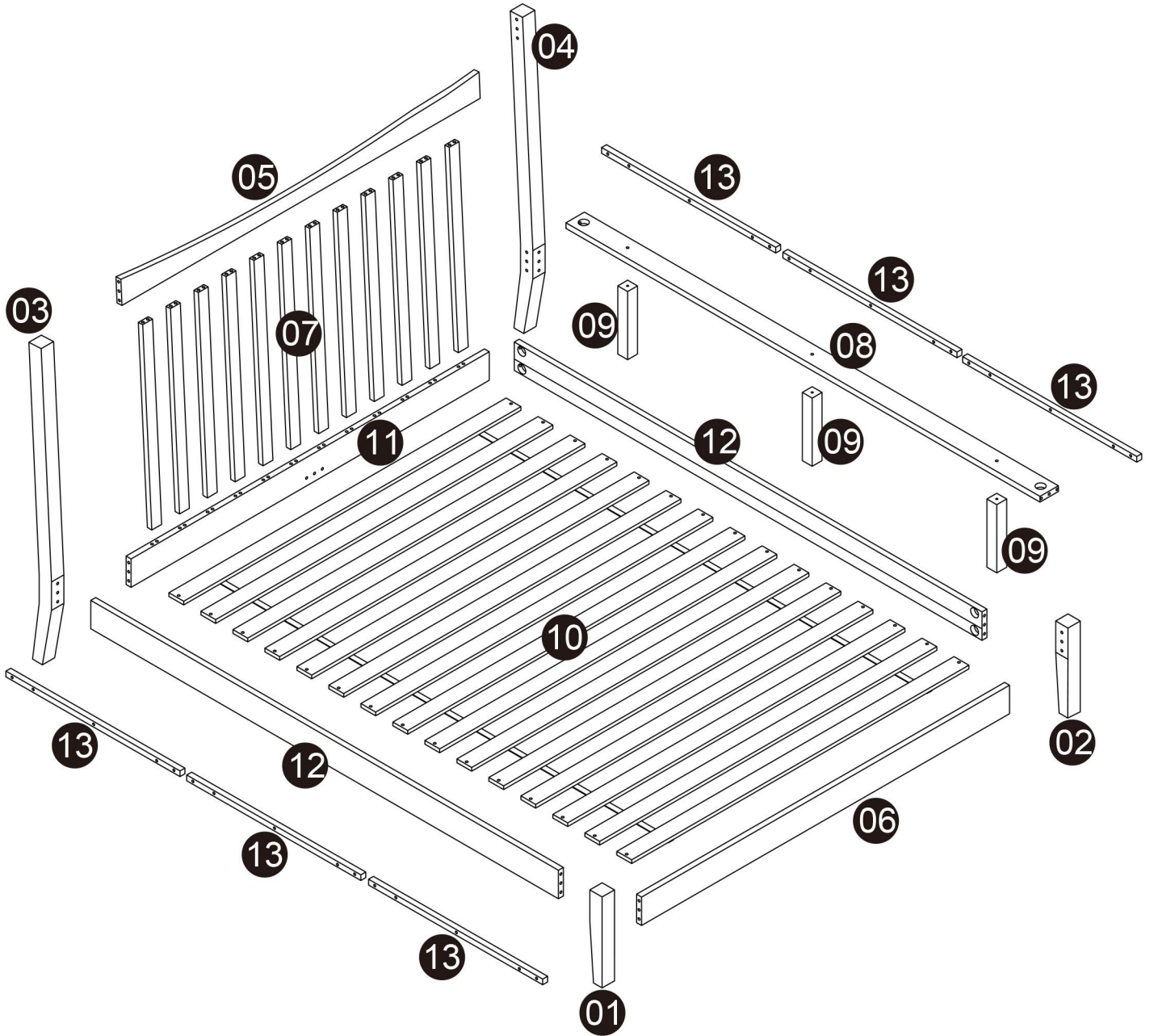
Please contact our customer service team on 0113 519 0311 if you have any questions or issues with your purchase.

Recycling

Please ensure that packaging is disposed of in a safe and environmentally friendly way, and recycle where possible. Please keep your assembly instructions safe to refer back to in the future.

Parts

Before you begin building your bed frame, please take a moment to read through the instructions and make sure that you have all the relevant parts listed on parts check list.


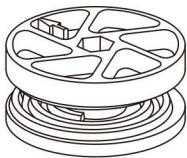

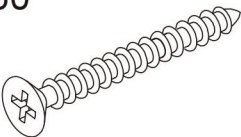

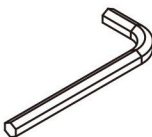
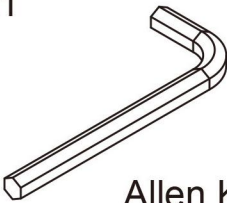



Parts Check List

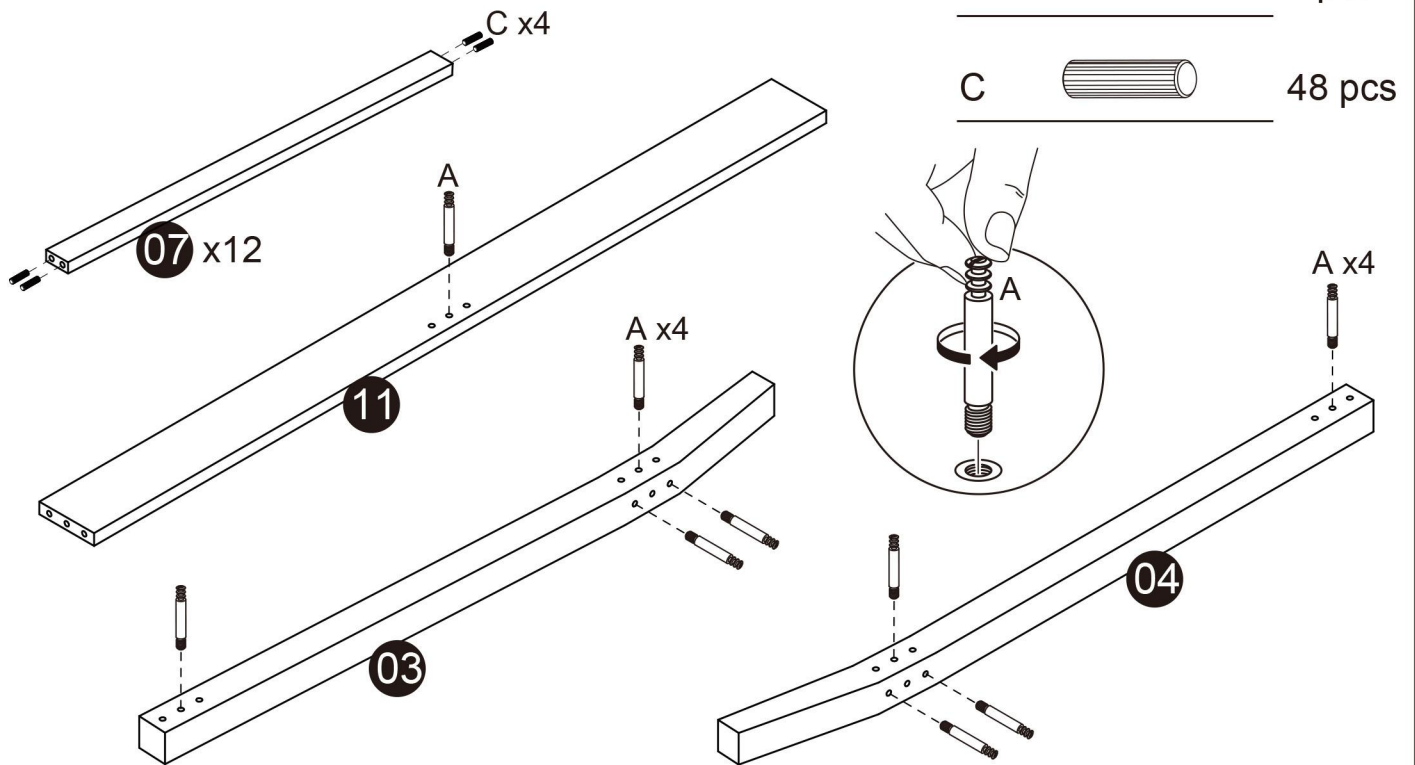
No.	Part List	Qty	Box No	No.	Part List	Qty	Box No
1	Left Front Leg	1	1	8	Central Support Rail	1	1
2	Right Front Leg	1	1	9	Central Support Legs	3	1
3	Left Back Leg	1	1	10	Slats	15	1
4	Right Back Leg	1	1	11	Headboard	1	1
5	Top Headboard Panel	1	1	12	Side Rails	2	1
6	Footboard	1	1	13	Strips	6	1
7	Headboard Slats	12	1				

Fittings

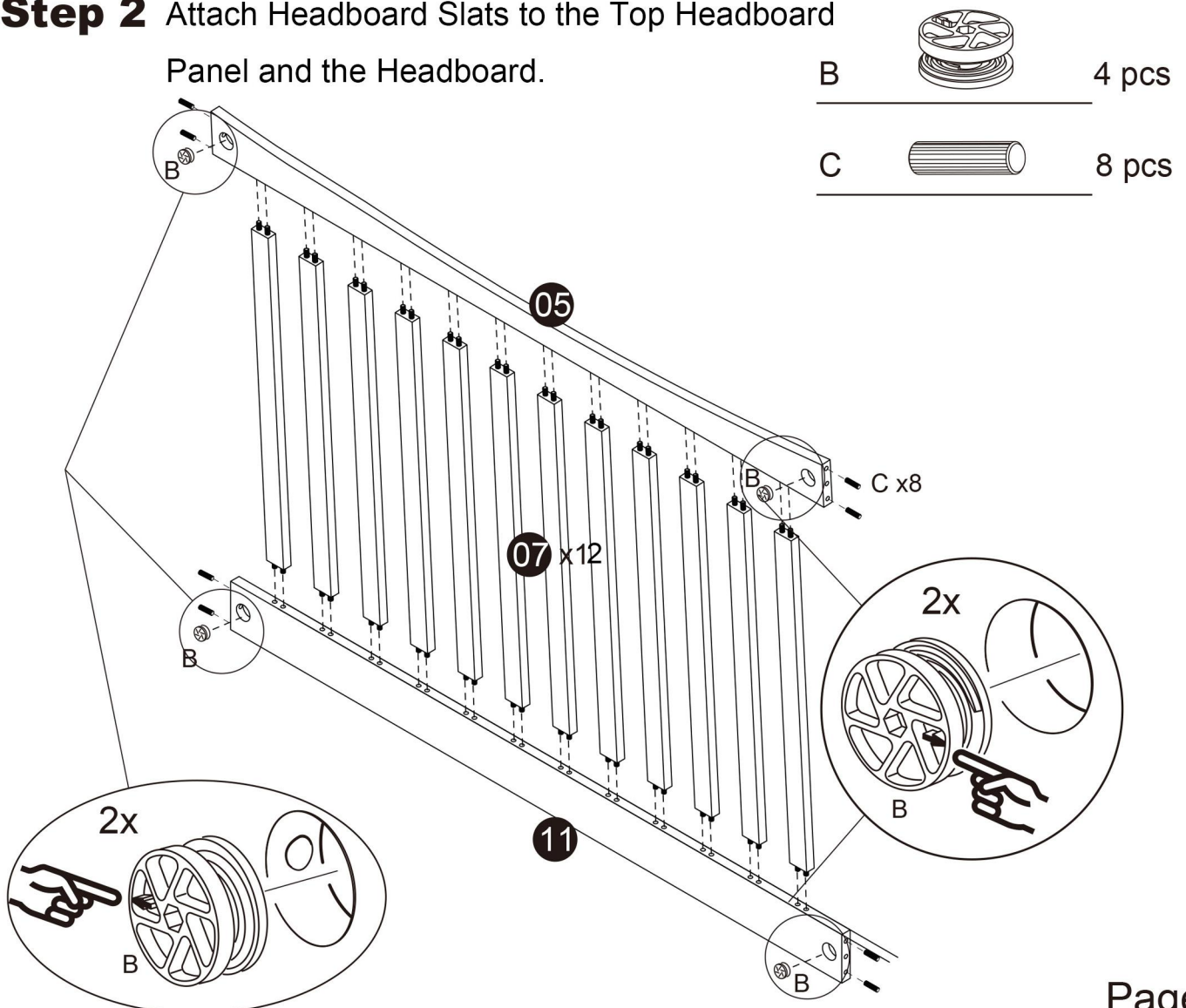
Please check you have all the fitting listed below with you product.

<p>A x16</p>  <p>CAM dowel</p>	<p>B x16</p>  <p>CAM lock</p>	<p>C x68</p>  <p>Wood dowel Ø8x30mm</p>
<p>D x60</p>  <p>Screw Ø4x30mm</p>	<p>E x3</p>  <p>Screw M7x50mm</p>	<p>F x1</p>  <p>Allen Key M4</p>
<p>G x1</p>  <p>Allen Key M6</p>	<p>H x16</p>  <p>Self-Adhesive Screw HoleSticker</p>	

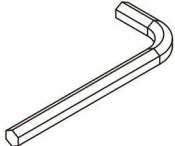

Step 1 Attach wood dowels and CAM dowels.

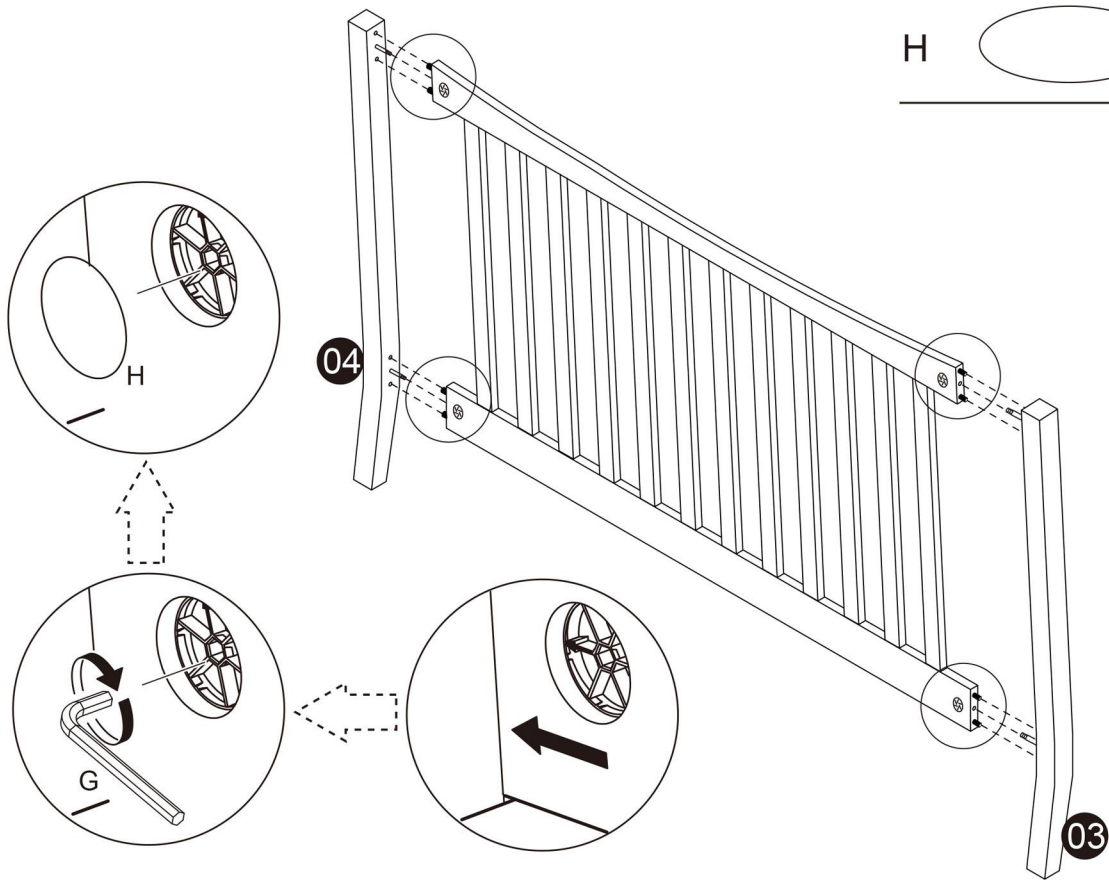


Step 2 Attach Headboard Slats to the Top Headboard Panel and the Headboard.



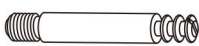


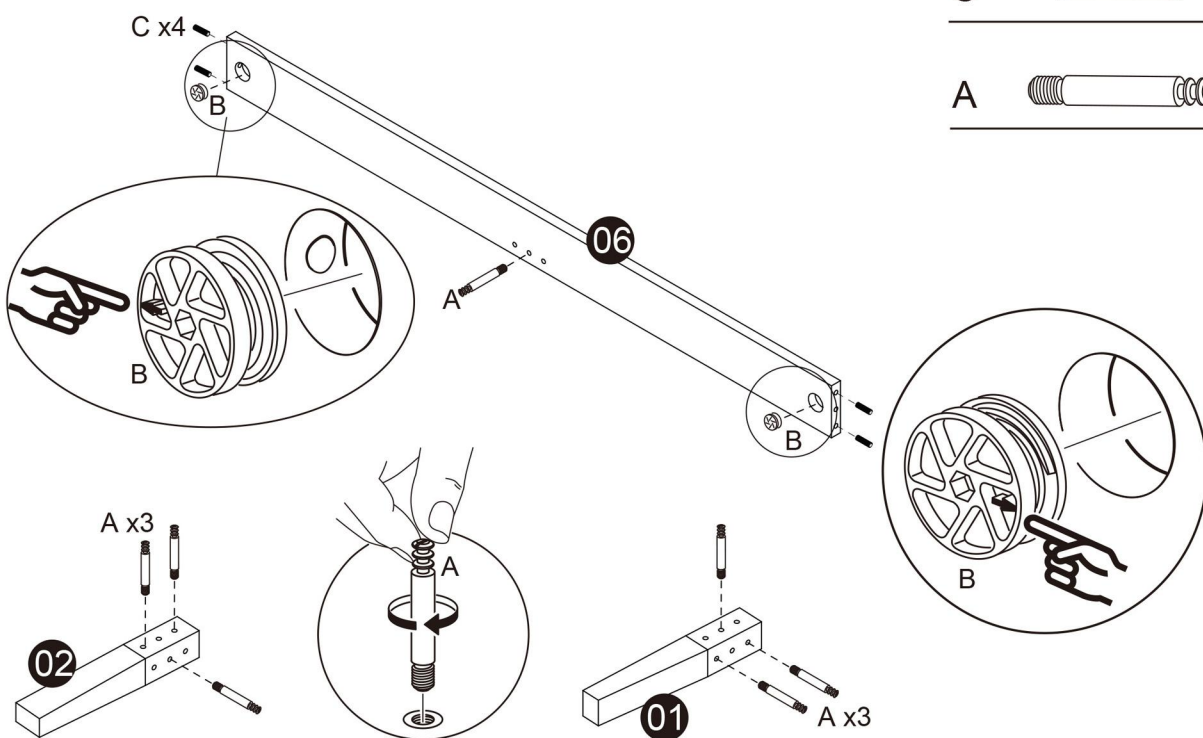
Step 3 Attach the Legs to the Headboard.

G		1 pc
H		4 pcs

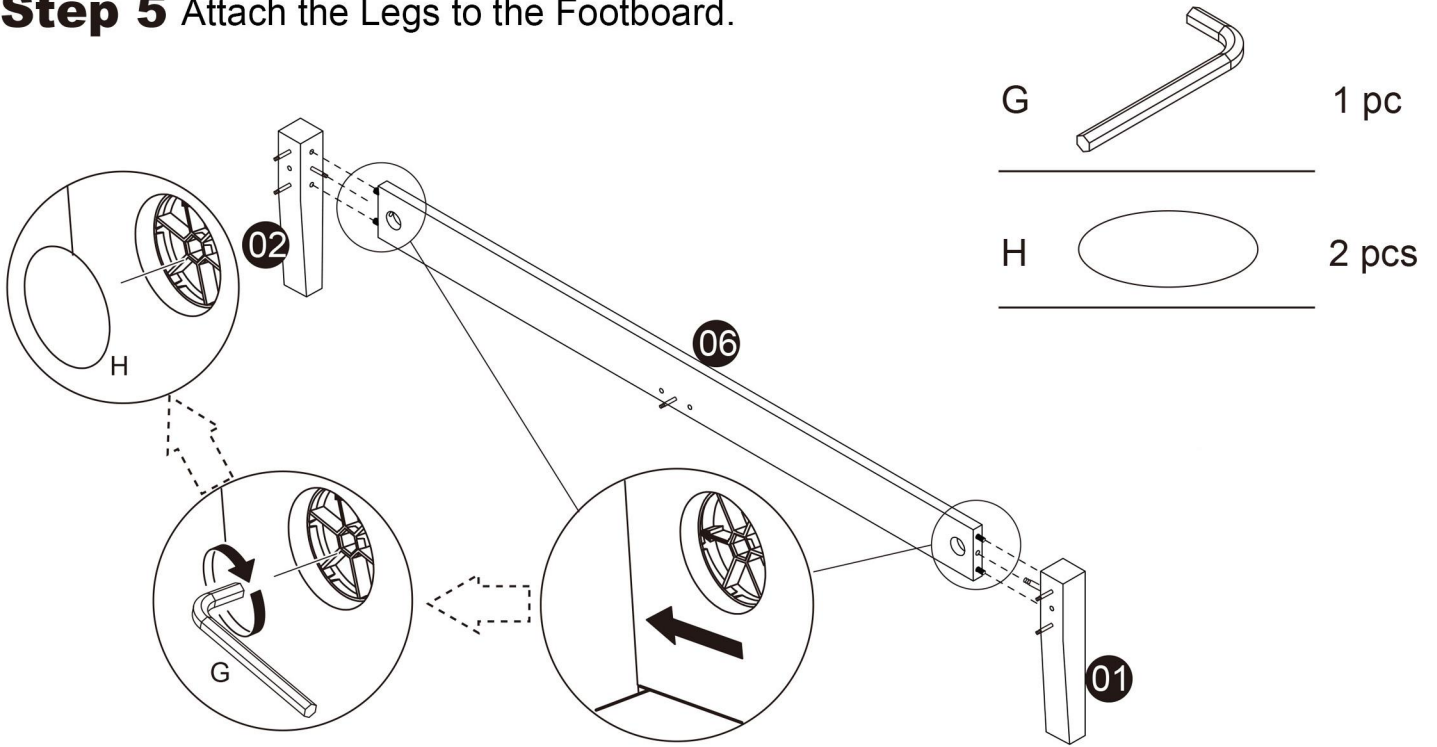


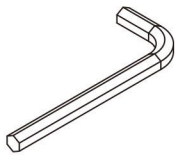
Step 4 Attach Wood Dowels and CAM dowels.

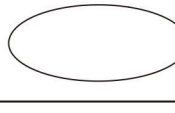
B		2 pcs
C		4 pcs
A		7 pcs



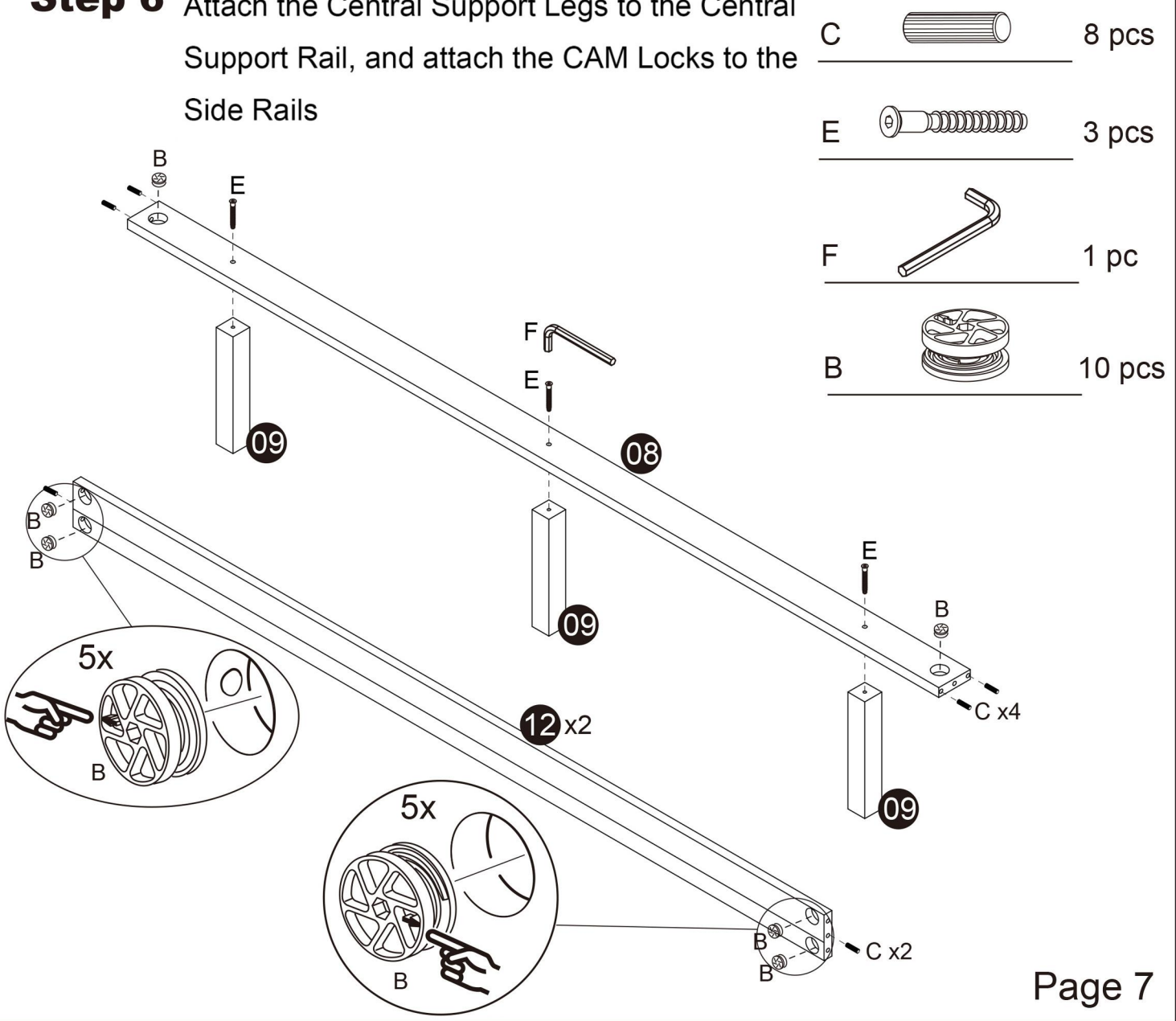
Step 5 Attach the Legs to the Footboard.

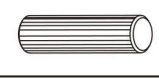


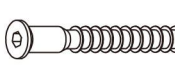
G  1 pc

H  2 pcs


Step 6 Attach the Central Support Legs to the Central Support Rail, and attach the CAM Locks to the Side Rails



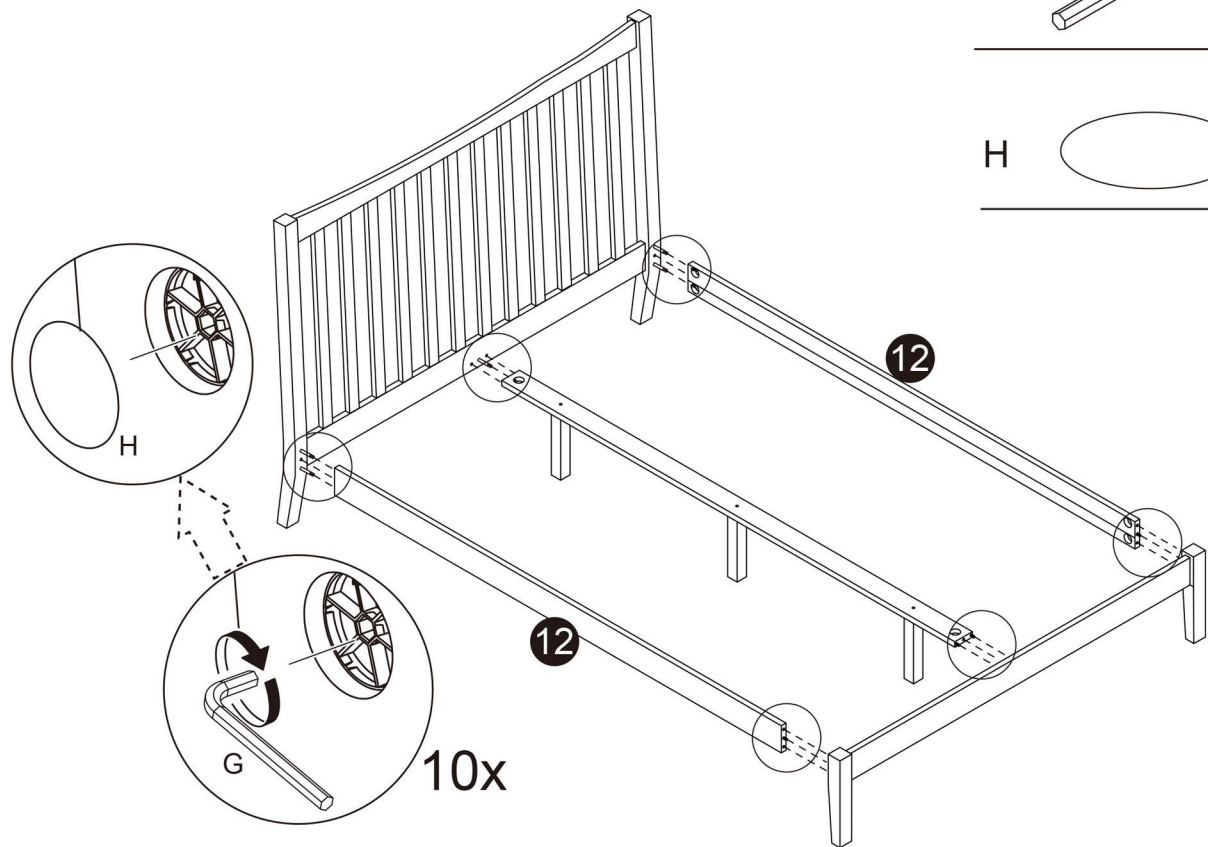
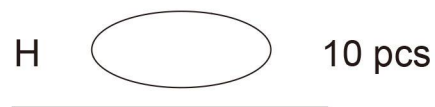
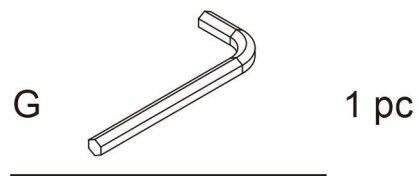
C  8 pcs

E  3 pcs

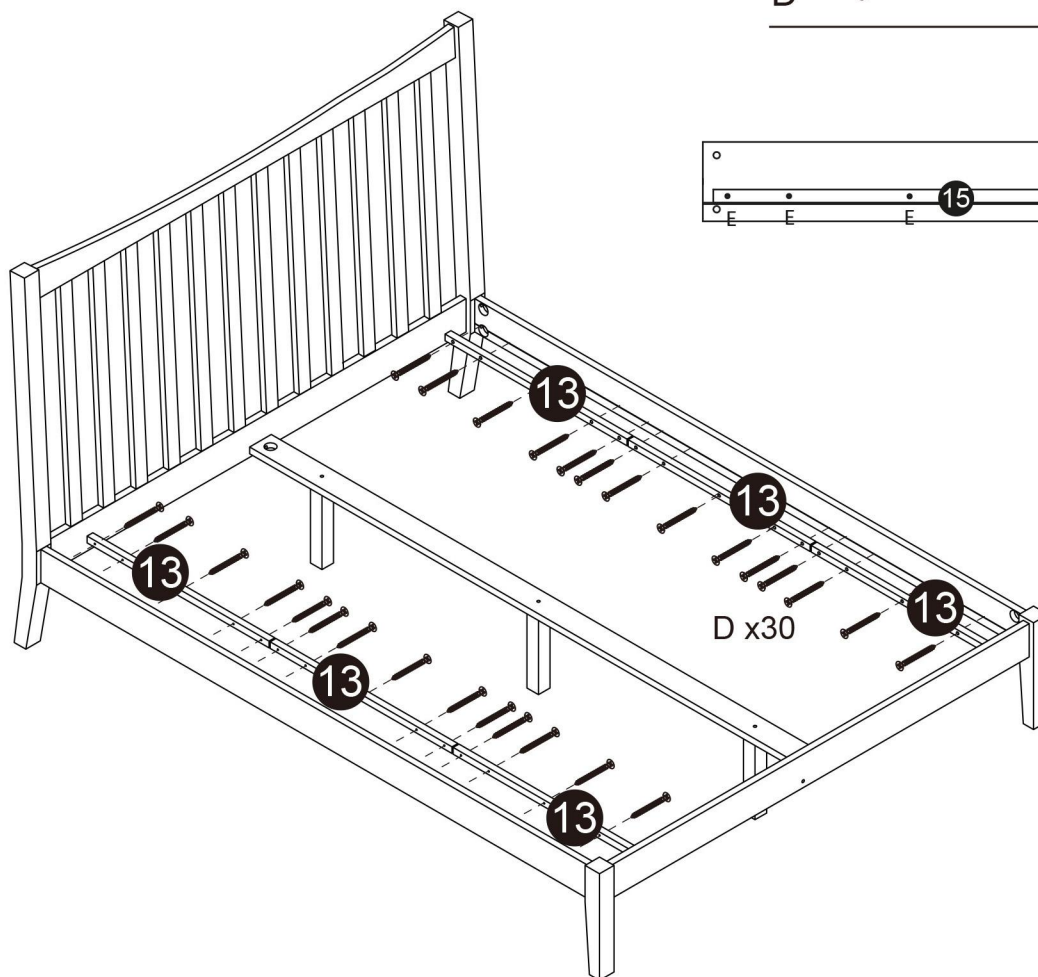
F  1 pc

B  10 pcs

Step 7 Attach the Side Rails and Central Support Rail to the Headboard and Footboard.

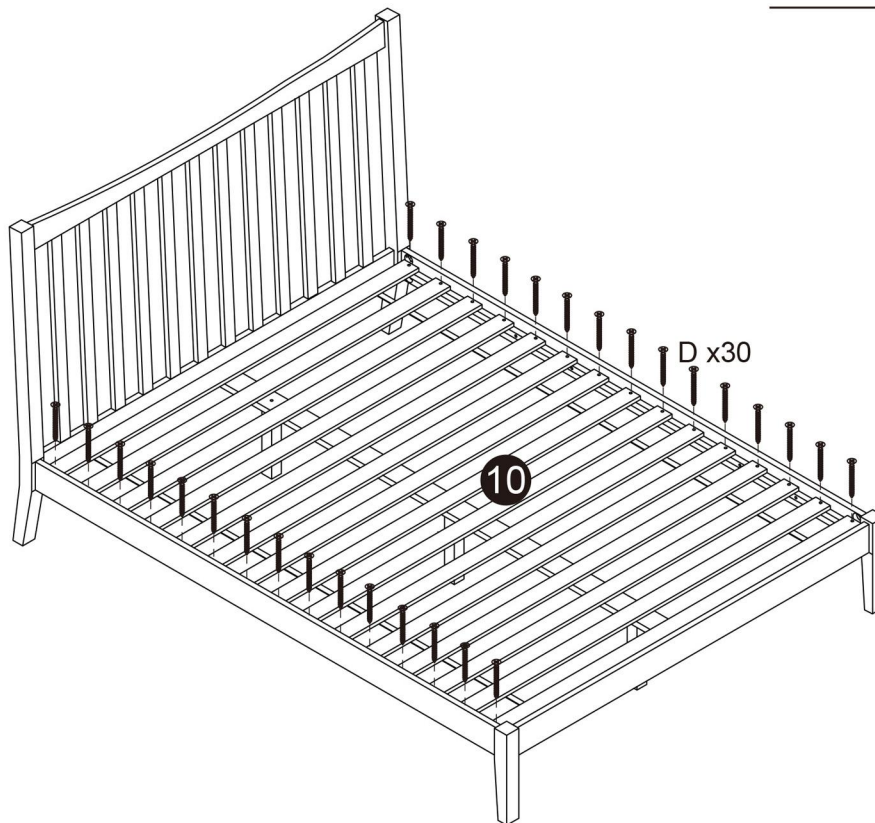


Step 8 Attach the Strips.



Step 9 Attach the Slats to the Bed Frame.

D  30 pcs



Care and Maintenance

Here are some good tips to keep your new bed frame in tip-top condition.

Cleaning

To clean your new bed frame, we advise using a damp cloth if the fabric is dusty or a low suction vacuum. Do not use abrasive chemicals or bleach as this may damage the product.

Checking and Moving

Periodically, we recommend you check that the screws and fixtures haven't become loose over time. To move your bed frame, we recommend lifting it where possible, as dragging or pushing it could cause damage to the legs or flooring.